



2007 OWNER'S MANUAL

Spa Surrounds

Manufactured after December 1, 2006
© 2007 California Acrylic Industries, Inc.

- Steps
- Planters
- Bar Stools
- Bars
- Benches
- Panels



www.calspas.com

Due to our continuous improvement programs, all models, operation, and/or specifications are subject to change without prior notice.



CONTACT INFORMATION

For customer service, please contact your authorized dealer immediately. If you need additional information and/or assistance, please contact:

C.A.I. Customer Service Department
1462 East Ninth Street
Pomona, CA 91766

Toll Free: 1-800-CAL-SPAS
Fax: 1-909-629-3890

www.calspas.com

Copyright 2006-2007 California Acrylic Industries, Inc. All rights reserved. Duplication without written consent is strictly prohibited.

Cal Spas™ and Cal Enclosures™ are registered trademarks.

Due to continuous improvement programs, all models, operation, and/or specifications are subject to change without prior notice.

LTR20071033, Rev. A

11/5/2006

Table of Contents

Read This First!

<i>General Safety Precautions</i>	1
-----------------------------------------	---

Assembly

<i>Tools and Materials</i>	2
<i>Step Assembly</i>	2
Two Tier, 30" Step	2
Package R Step Assembly	3
Package D, E, and I Step Assembly	4
Cal Select Step Assembly	5
<i>Planter Assembly</i>	6
<i>Bar Stool Assembly</i>	7
<i>Bar Assembly and Installation</i>	8
Package B and M	8
Package C, J, and N	9
Package P and G	11
Package R	13
<i>Bench Assembly</i>	14
Package P and G	14
Package R	15
<i>Panel Assembly</i>	16
Package I	16
Package J	17

Maintenance and Care

<i>Cleaning</i>	18
<i>Maintenance</i>	18

Appendix

<i>Warranty Information</i>	19
Warranty Limitations	19
Warranty Exclusions	19
<i>Customer Service</i>	19

Read This First!

General Safety Precautions

Carefully read and follow all safety instructions.

1. When installing and assembling your surround package, it is recommended that two or more people be involved.
2. Do not use the unit during an electrical storm.
3. Do not climb on top of the surround package. While the surround package is made out of high-quality material and is extremely durable, it is not meant to support weight. In addition, falling off of the surround package while climbing on it can result in serious injury or death.
4. Do not attempt any repair without consulting the manufacturer first. Unauthorized repairs will void the manufacturer's warranty (within the first 90 days).

Assembly

Whether you assemble your surround package yourself or hire someone to do it, your new surround package needs to be assembled in a specific order. Our Cal Enclosures professionals have determined through their experience that this is the easiest way to assemble your surround package.

Tools and Materials

Utility knife
100' extension cord
1/8" pilot hole drill bit
Sandpaper (various grades)
Gray wash stain
1/2" carbide drill bit (masonry bit)

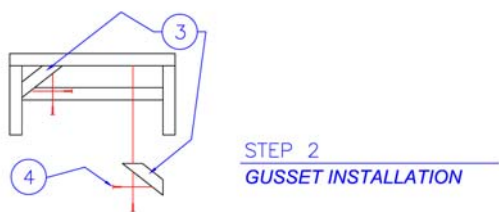
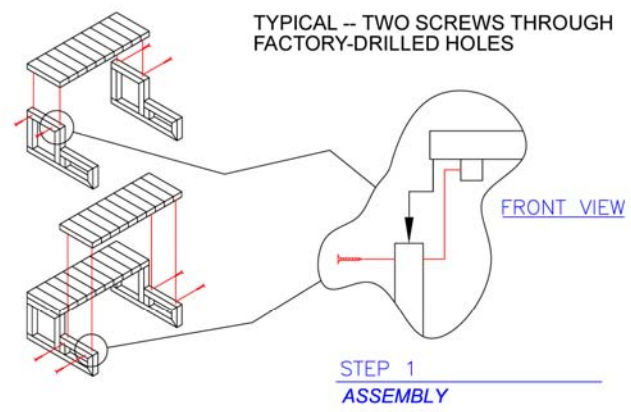
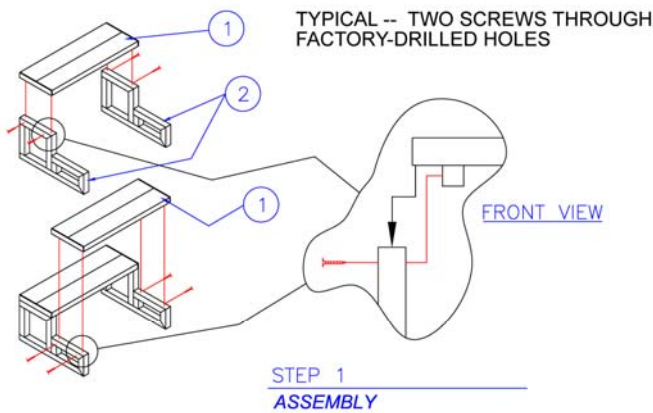
25' tape measure
Electric drill
9/16" socket
Redwood stain
Rags

Cordless drill
Phillips-head drill tips
Slotted-head drill tips
Wood putty
1/2" ratchet and impact drill

Step Assembly

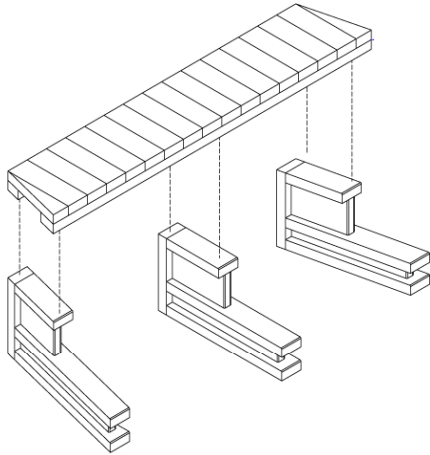
Two Tier, 30" Step

1. Stand the legs up at 30" apart. Place the upper step on top of the upper section of the step.
2. To attach the step, screw in 4 screws (2 at each rear corner): 1 into the step leg and 1 into the step itself.
3. Place the lower step on the lower section of the step.
4. To attach the step, screw in 4 screws (2 on each on the outside of the step). Use the toe-in method on both sides, as shown.

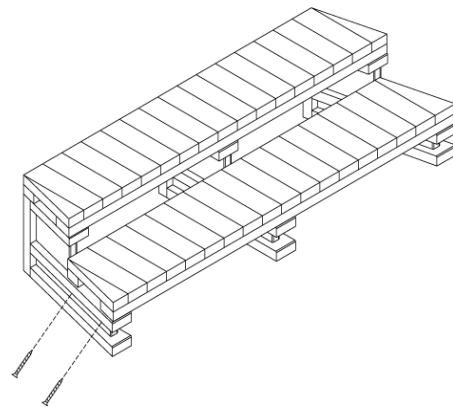
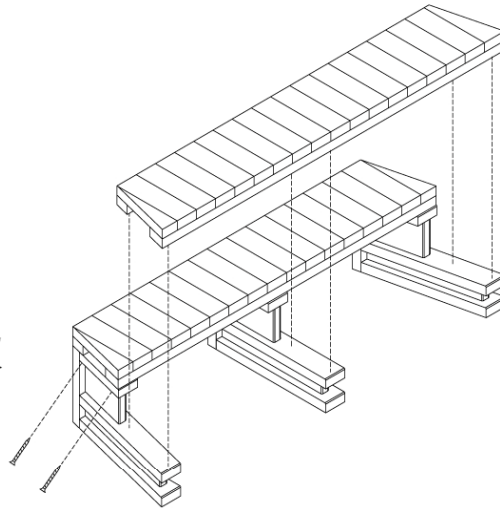


Package R Step Assembly

*SURROUND SERIES
PACKAGE "R"
STEP ASSEMBLY*

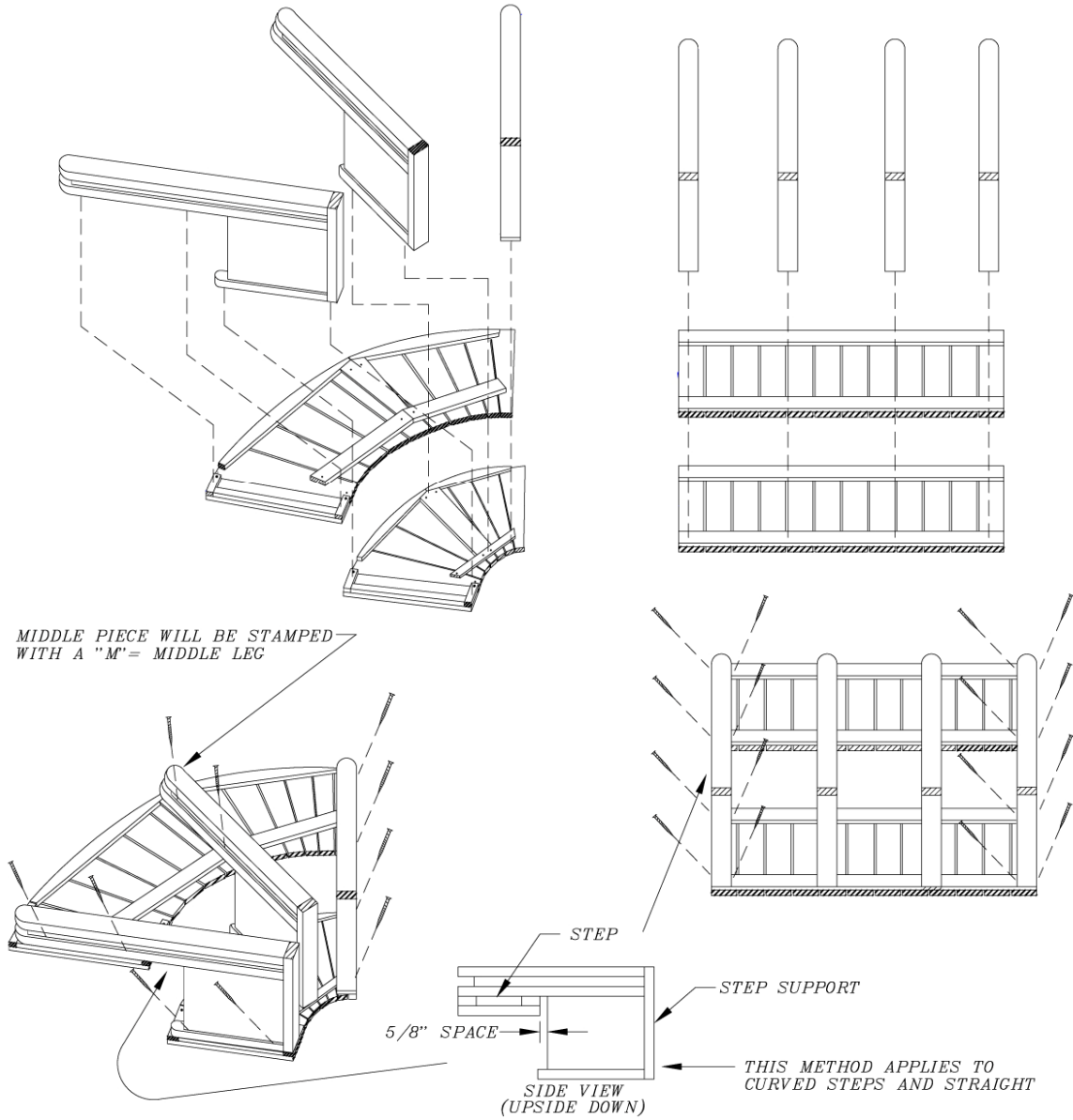


*USE TOE IN METHOD AS
SHOWN, ON BOTH SIDES.*

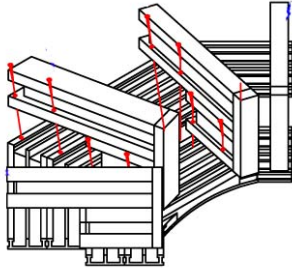


Package D, E, and I Step Assembly

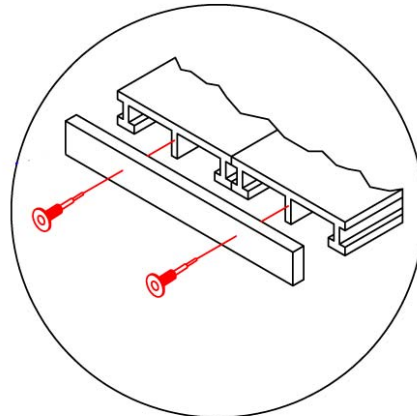
STEP ASSEMBLY PACKAGE D, E, I



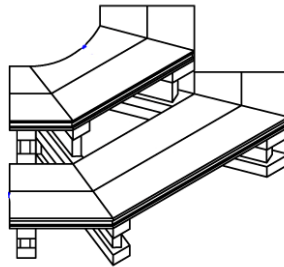
Cal Select Step Assembly



LEG ASSEMBLY
CORNER STEPS

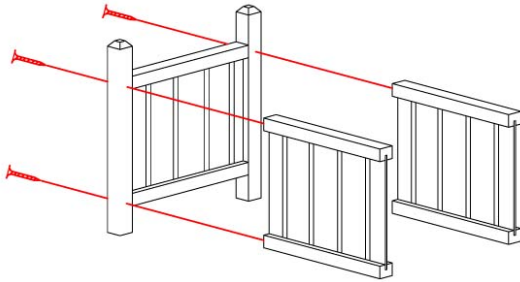


END CAP
ON OPEN ENDS OF STEPS

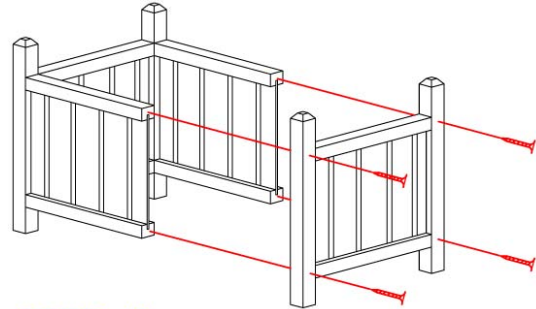


COMPLETED STEPS
CORNER STEPS

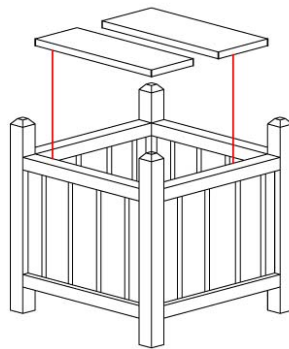
Planter Assembly



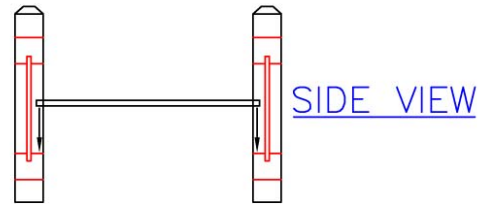
STEP 1
ASSEMBLY



STEP 2
ASSEMBLY



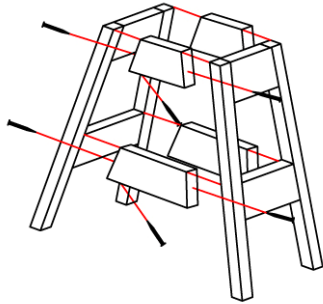
STEP 3
DROP-IN PLANTER BOTTOM



SIDE VIEW

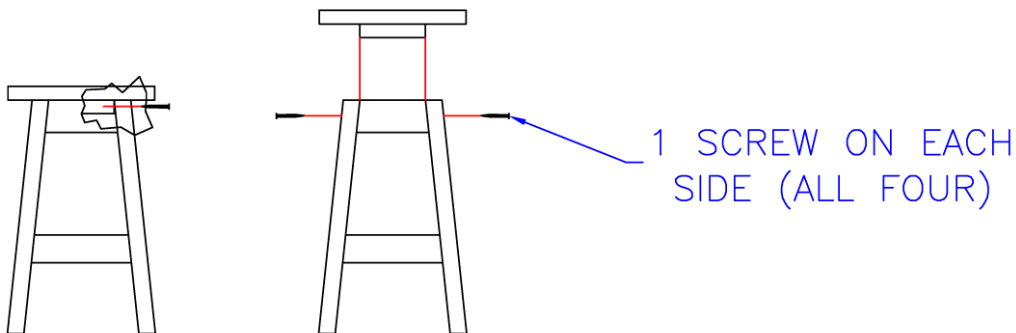
Bar Stool Assembly

1. Attach the bar stool legs to support the brace using the provided 2 ½" screws. There will be a total of 12 screws.
2. Place the bar stool seat on a flat surface. (Make sure the finish side is on the ground.) Attach the leg assembly using four 2 ½" screws.



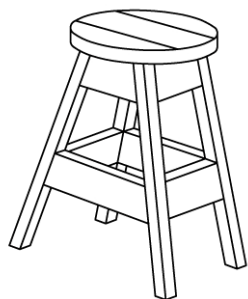
STEP 1

LEG ASSEMBLY



STEP 2

TOP INSTALLTION

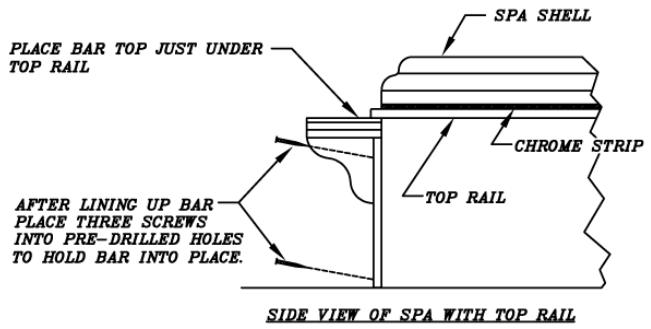
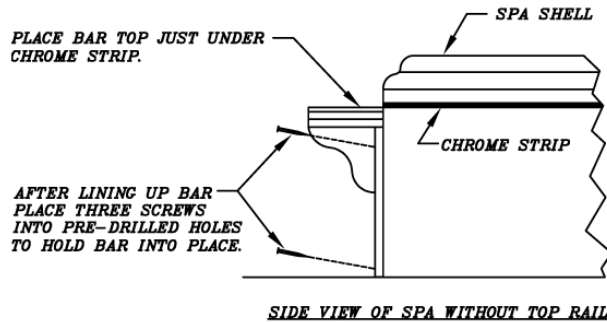
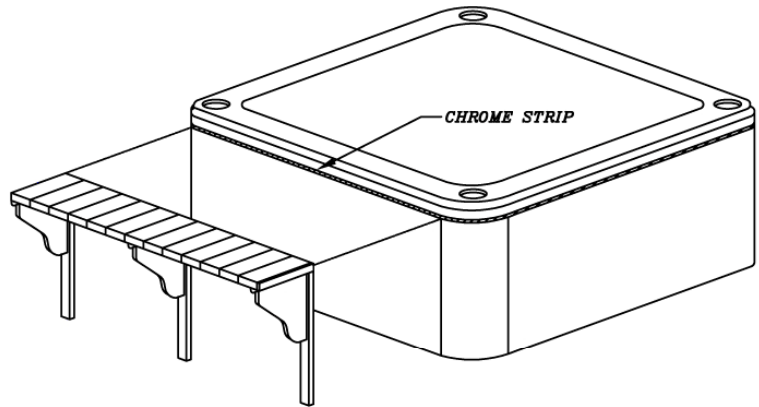
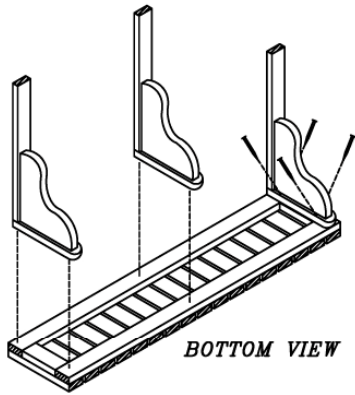


COMPLETED BAR STOOL

Bar Assembly and Installation

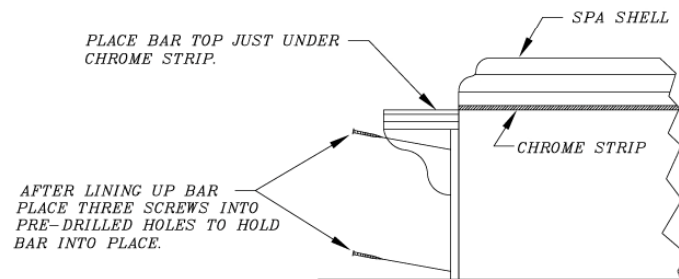
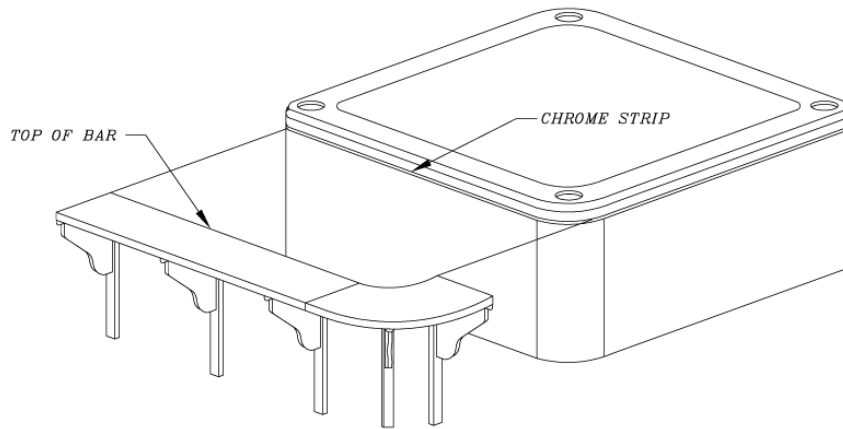
Package B and M

*SURROUND SERIES
PACKAGE "B"
BAR INSTALLATION*

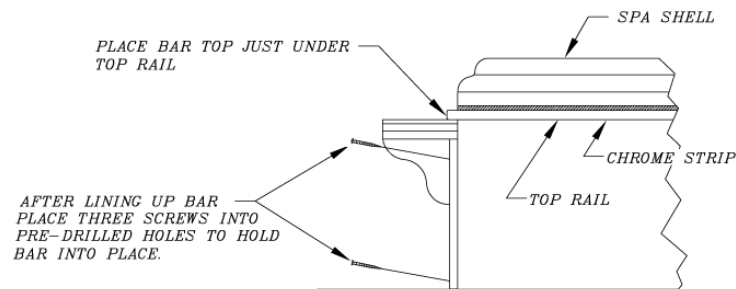


Package C, J, and N

SURROUND SYSTEMS PACKAGE C

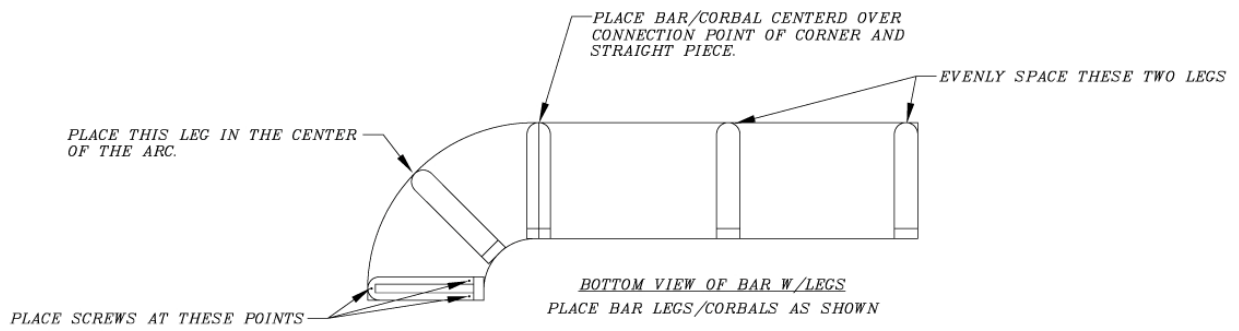
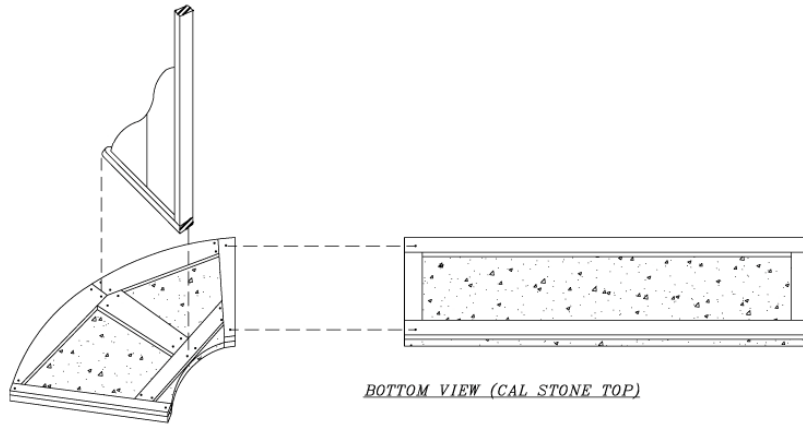
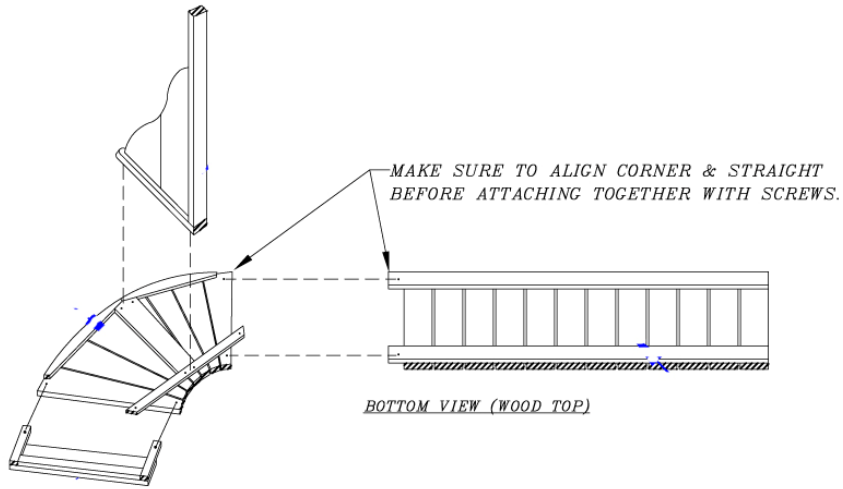


SIDE VIEW OF SPA WITHOUT TOP RAIL



SIDE VIEW OF SPA WITH TOP RAIL

SURROUND SYSTEMS
PACKAGE C

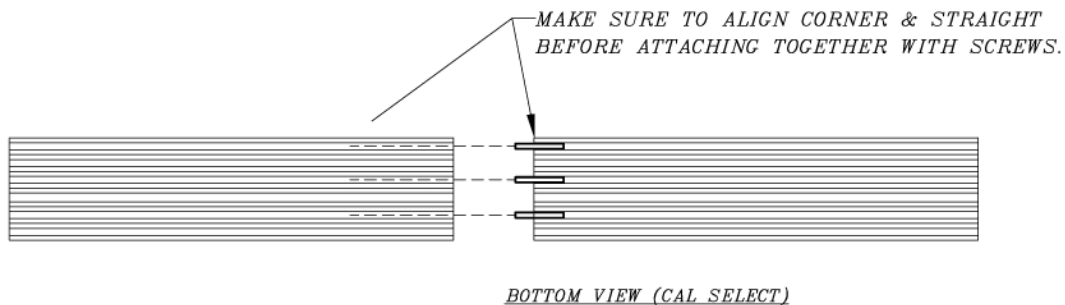
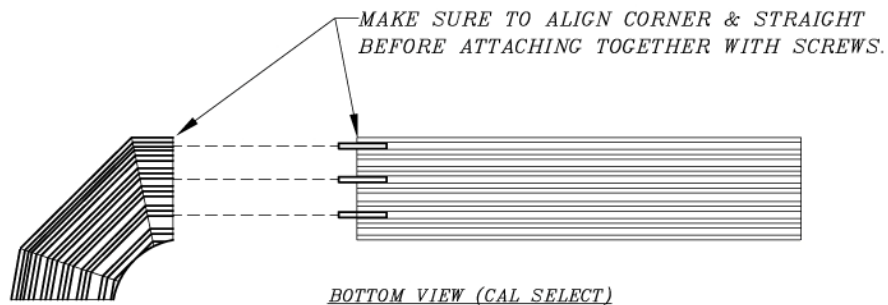


Package P and G

NOTE: The manufacturer recommends mounting corbels on the cabinet so that the bar top sits just under the spa lip.

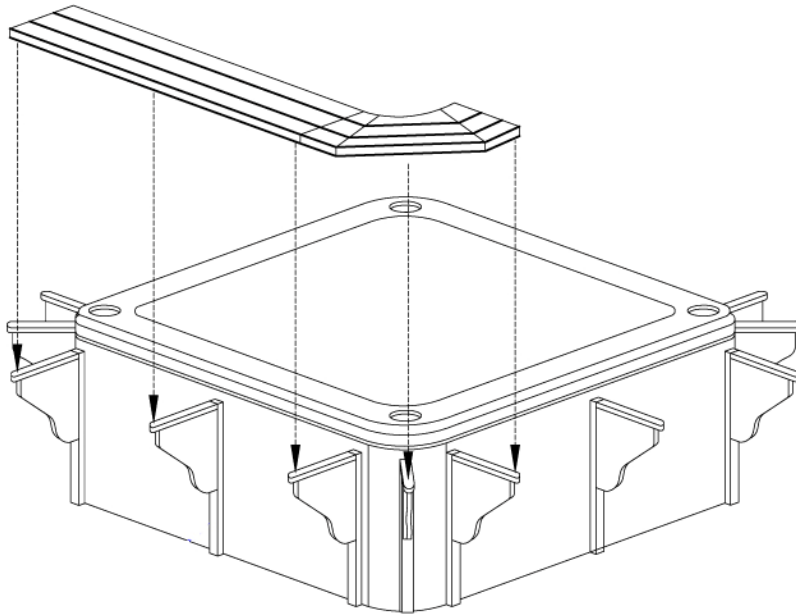
1. Using 2 1/2" screws, mount the corbels directly to the cabinet wall (Figure 4C). Make sure that the corbels are horizontally level with each other.
2. Mount the bar top to the corbels with the 2 1/2" screws (Figure 4C). The screws must be mounted from the underside of the bar top. Make sure that the bar top rests just below the lip of the spa.

SURROUND SYSTEMS PACKAGE P



*ON CERTAIN SPA MODELS
BAR TOPS WILL BE IN TWO PIECES*

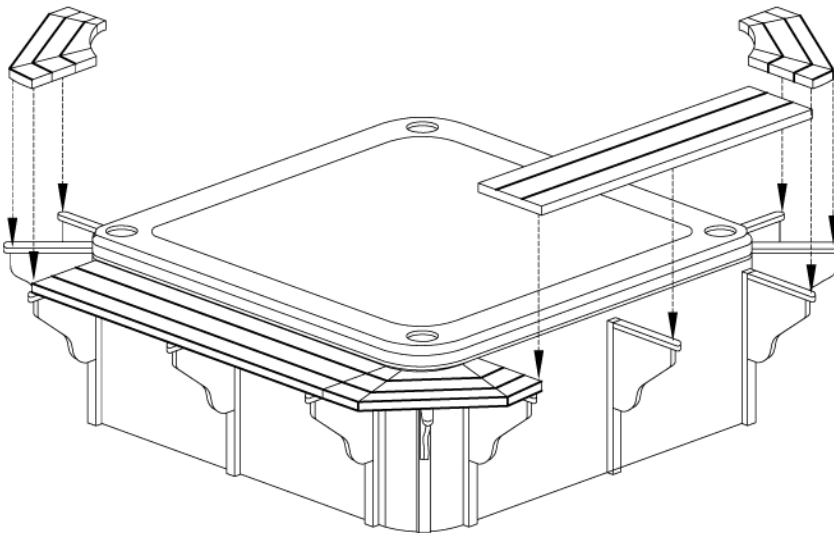
SURROUND SYSTEMS



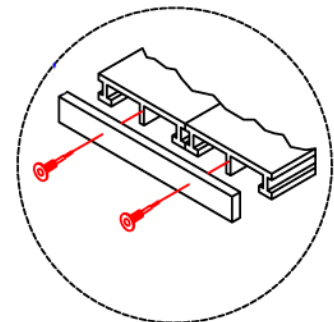
SHOWN AT BACK SIDE OF SPA

AFTER PLACING CORBALS ON TO SPA CABINET, START PLACING CAL SELECT TOP ON TOP OF LEGS AS SHOWN

NOTE
CORBALS SHOULD BE ATTACHED SUCH THAT THERE IS A SPACE OF 1-1/2" FROM THE SPA LIP TO THE TOP OF THE CORBAL



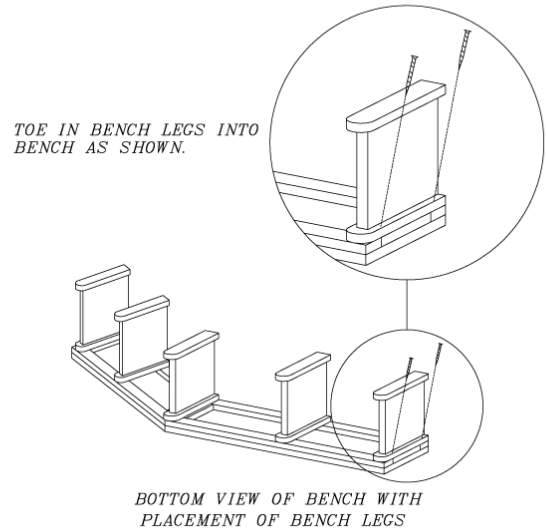
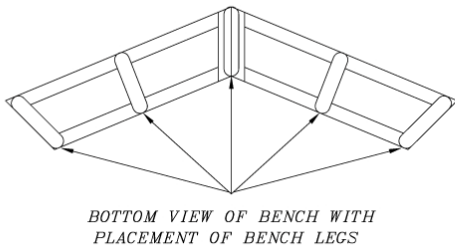
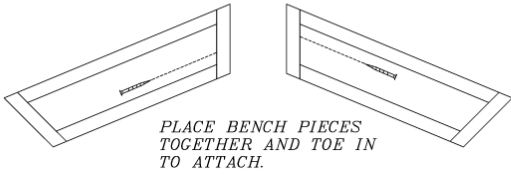
SHOWN AT BACK SIDE OF SPA



END CAP
BAR ENDS

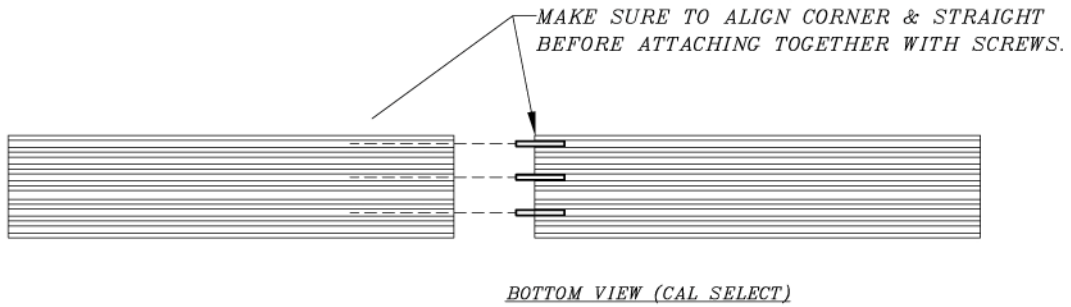
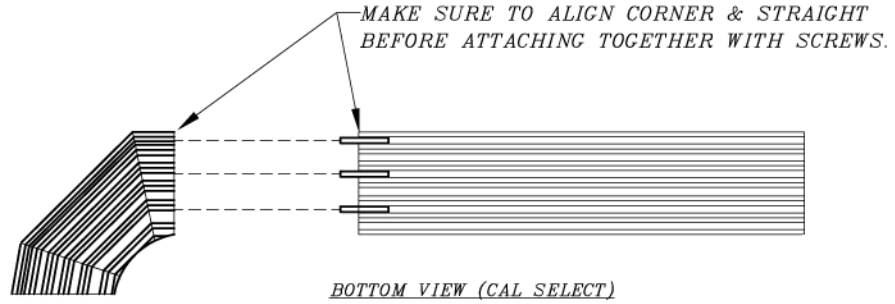
Package R

SURROUND SERIES BENCH/STOOL ASSEMBLY



Bench Assembly

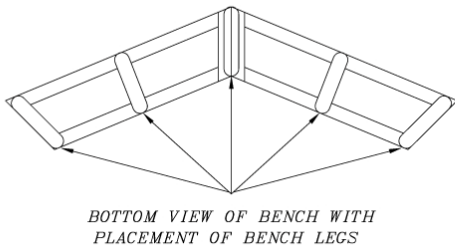
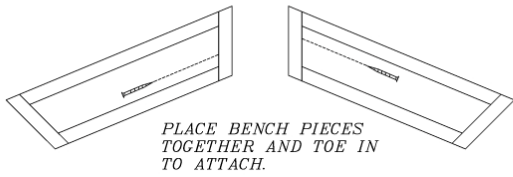
Package P and G



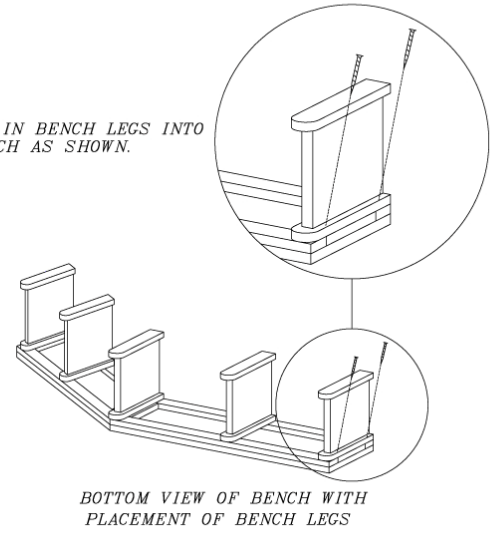
ON CERTAIN SPA MODELS
BAR TOPS WILL BE IN TWO PIECES

Package R

SURROUND SERIES BENCH/STOOL ASSEMBLY

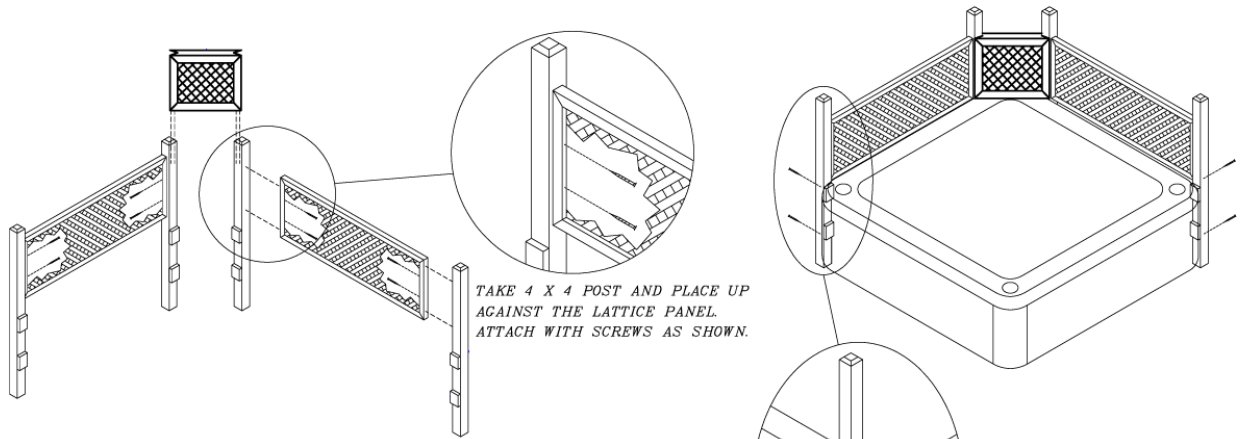


TOE IN BENCH LEGS INTO BENCH AS SHOWN.



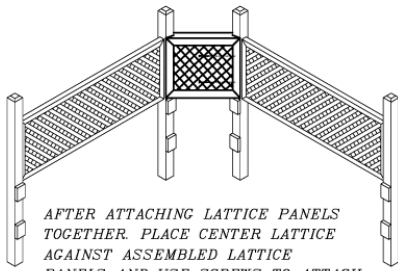
Panel Assembly

Package I

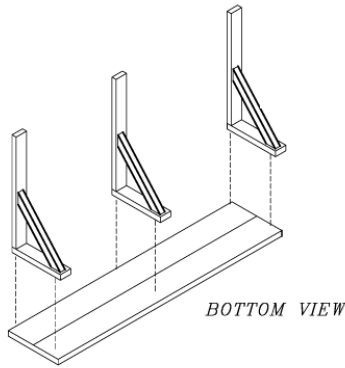


TAKE 4 X 4 POST AND PLACE UP AGAINST THE LATTICE PANEL. ATTACH WITH SCREWS AS SHOWN.

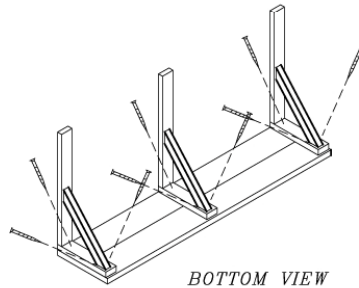
AFTER ASSEMBLING THE THREE PIECES TOGETHER FIT AROUND SPA AND TOE INTO PLACE WITH SCREWS.



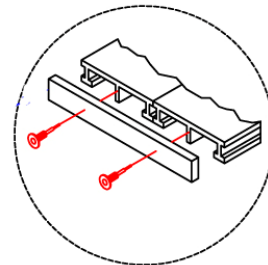
AFTER ATTACHING LATTICE PANELS TOGETHER. PLACE CENTER LATTICE AGAINST ASSEMBLED LATTICE PANELS AND USE SCREWS TO ATTACH.



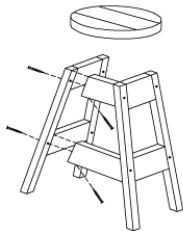
BOTTOM VIEW



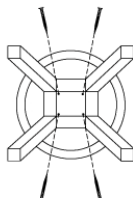
BOTTOM VIEW



END CAP
BAR ENDS & STEP ENDS

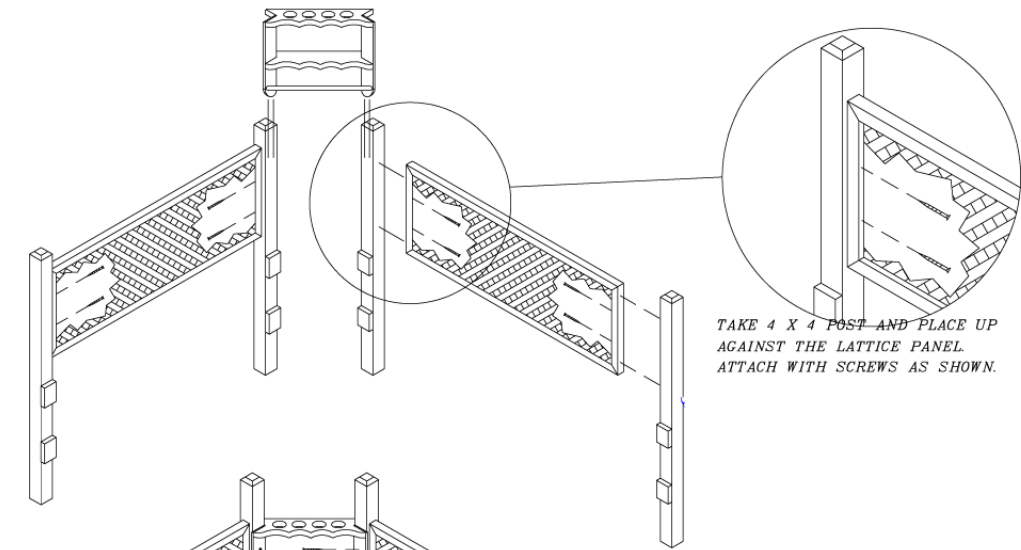


ATTACH SIDES TO LEGS FIRST

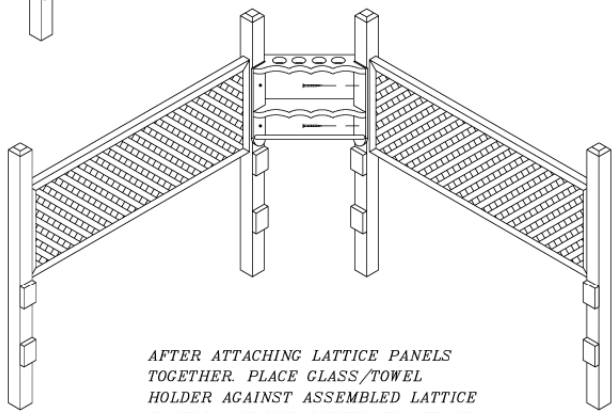


BOTTOM VIEW
THEN ATTACH TOP SEAT PIECE

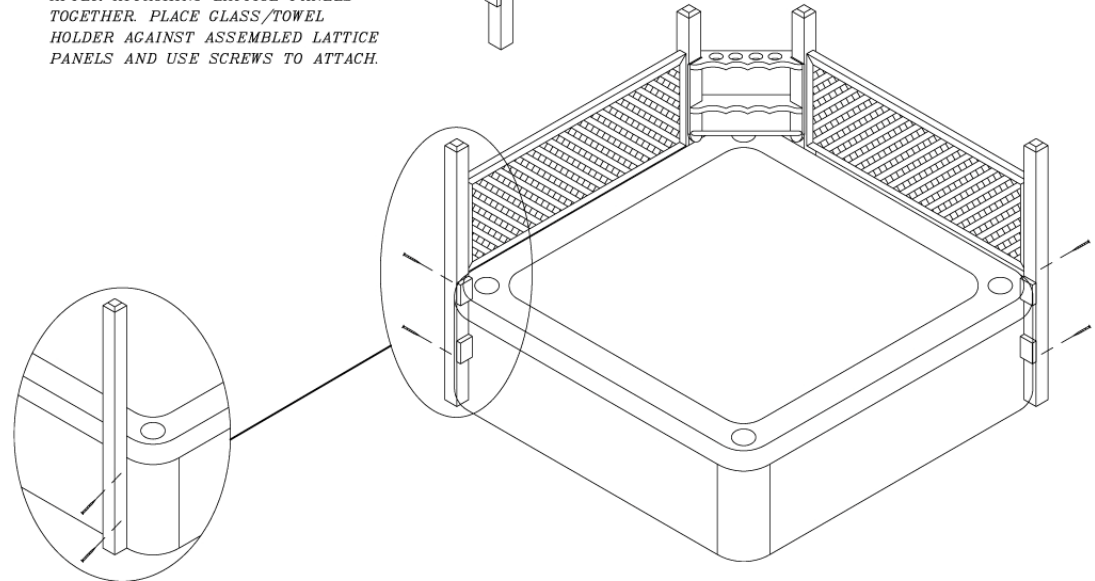
Package J



TAKE 4 X 4 POST AND PLACE UP AGAINST THE LATTICE PANEL. ATTACH WITH SCREWS AS SHOWN.



AFTER ATTACHING LATTICE PANELS TOGETHER. PLACE GLASS/TOWEL HOLDER AGAINST ASSEMBLED LATTICE PANELS AND USE SCREWS TO ATTACH.



AFTER ASSEMBLING THE THREE PIECES TOGETHER FIT AROUND SPA AND TOE INTO PLACE WITH SCREWS.

Maintenance and Care

Cleaning

Your surround package was designed with low cleaning and maintenance in mind. We recommend that the surround package be cleaned at least twice a month (or more, if needed). When cleaning your surround package, do not use cleaning solvents -- using a sponge and water will be fine. For ground-in dirt and grime, refer to the following section.

Maintenance

Maintaining your surround package is an easy task. We recommend that every six months you inspect your surround package.

If your surround package is redwood, take note of any deformities in the wood (i.e. cracking, peeling, dirt, grime, etc.). Wipe the stained area clean and reapply until the sanded area matches the rest of the surround package.

If your surround package is Cal Select, wipe off any dirt or grime using a sponge and water. Condition the Cal Select with Cal Spas Vinyl Cleaner and Conditioner. Follow directions on label.

Appendix

Warranty Information

See your Cal Enclosures surround package dealer for a copy of the applicable warranty, details and any questions you may have regarding the warranty coverage on your surround package.

Warranty Limitations

The Limited Warranty is void if the surround package has been subject to negligence, alteration, misuse, abuse, repairs by non- C.A.I. authorized representatives, acts of God and any other cases beyond the control of C.A.I. Examples of common acts invalidating this warranty include but are not limited to:

- Use of the surround package in a non-residential application
- Scratches caused by normal use
- Damage caused by extreme weather conditions (heat, cold, etc.)
- Damage caused by dirt, sand, and/or water damage
- Damage caused by direct sunlight
- Damage caused as a result of failure to follow the assembly instructions as defined in this Owner's Manual

This Limited Warranty applies only to surround packages normally used for personal, family, or household purposes.

This Limited Warranty is obsolete 90 days after the original purchase date.

Warranty Exclusions

C.A.I. warrants the surround package from defects in material and workmanship for a period of 90 days from the original date of purchase.

DON'T FORGET TO REGISTER YOUR NEW PRODUCT AT WWW.CALSPAS.COM.

Customer Service

For customer service, contact the authorized selling dealer immediately. If you need additional information and assistance, please contact the C.A.I. Customer Relations Department at 1462 East Ninth Street, Pomona, CA 91766, or call 909-623-8781.

**Please make a record of the following.
It will be valuable if service is required.**

Spa Surround Model:

Spa Surround Serial Number:

Date Purchased:

Date Installed:

Cal Spa Dealer's Phone Number:

Cal Spa Dealer's Address:

C.A.I. Customer Service Department
1462 East Ninth Street
Pomona, CA 91766

Toll Free: 1-800-CAL-SPAS
Fax: 1-909-629-3890

www.calspas.com