



2006 Owner's Manual

Billiards / Bars

Manufactured after December 1, 2005
© 2006 California Acrylic Industries, Inc.

www.calspas.com



Due to our continuous improvement programs, all models, operation, and/or specifications are subject to change without prior notice.





CONTACT INFORMATION

For customer service, please contact your authorized dealer immediately. If you need additional information and/or assistance, please contact:

C.A.I. Customer Service Department
1462 East Ninth Street
Pomona, CA 91766

Toll Free: 1-800-CAL-SPAS
Fax: 1-909-629-3890

www.calspas.com

Copyright 2004, 2005, 2006 California Acrylic Industries, Inc. All rights reserved. Duplication without written consent is strictly prohibited.

Cal Spas™ is a registered trademark.

Due to continuous improvement programs, all models, operation, and/or specifications are subject to change without prior notice.

LTR20061006, Rev. A

10/28/2005

Table of Contents

Billiards Table Owner's Manual

<i>Safety Information</i>	1
<i>Planning the Best Location For Your Billiards Table</i>	1
<i>Billiards Table Assembly Instructions</i>	2
Frame Assembly – Royal Series.....	2
Frame Assembly – Gold and Platinum Series	4
Frame Assembly – Diamond Series	5
Center and Cross Beam Assembly – Gold and Platinum Series.....	6
Center Beam and Crossbeam Assembly – Diamond Series	7
Installing Slate – All Series	9
Dressing the Rails – All Series.....	10
Dressing the Slate – All Series	13
Installing Rails and Pockets – Royal Series	15
Installing Rails and Pockets – All Other Series.....	18
<i>Electronic Options</i>	21
CD Player and Receiver	21
LED Perimeter Lights.....	21
<i>Cleaning and Maintenance</i>	22
Synthetic Finishes.....	22
Wood and Wood Finishes.....	22
Felt Care	22
Pockets and Hardware Care.....	22
Hardware.....	23
Balls	23
Cues.....	23
A Few Billiard Table Care “NEVERS”	23

Bar Owner's Manual

<i>Canopy Assembly</i>	24
<i>Foot Rest Assembly</i>	27
<i>Electronic Options</i>	28
DVD Player	28
LED Mood Lights (Model P-304 only)	28
<i>Cleaning and Maintenance</i>	29
Keep a Dry Environment.....	29
Prevent Scratches.....	29
Maintaining Your Glass Counter Top.....	29
<i>Replacement Parts</i>	30
Rails	30

Table of Contents

Rails – Cushions and Feather Stripping	31
Cabinets for CS & FS.....	32
Legs CS & FS	33
Table.....	33
Pockets -- CS & FS Series.....	33
Slate.....	33
Hardware Kits for CS & FS	34
Entertainment -- Stereo.....	34
Lighting.....	34
Game Room Accessories	34
Bar Accessories – Drop Down TV	35
Canopy Lighting	35
Brass Footrest.....	35
Bottle Well and Dry Sink	35
Felt -- Titan.....	36
Felt -- Tour Edition	37
Felt -- Mercury.....	37
Felt -- Valley Ultra	37
<i>Warranty</i>	38

Billiards Table Owner's Manual

Safety Information

While playing pool is not dangerous, assembly of the table, if done incorrectly, can cause harm to you or others. The individual slate pieces are extremely heavy. We strongly suggest that two or more people assemble the table, especially when mounting the slate pieces.

Note: Damaged slate due to incorrect installation is not covered by the warranty.

Planning the Best Location For Your Billiards Table

Things that you will need to consider when determining where to place your new billiards table or bar:

- Make sure there is adequate floor support if the billiards table is to be located in an upstairs room.
- You will need to place your billiards table in a room or area that is large enough to accommodate its use. Place it in an area where several people can congregate around it as a center of activity, but plan for at least 4' to 5' all the way around the table.

How much room do I need to accommodate a billiard table?

For comfortable play, the space you need depends on the type of cue sticks you use and the size of your table. Follow the below chart in planning your new Cal Spas Home Resort billiard parlor.

Ideal Room Sizes

<i>Table Size (Playing Surface)</i>	<i>Cue Length</i>	<i>Recommended Room Size</i>
3.5' x 7' (39" x 78")	48" cue	11' 3" x 14' 6"
	52" cue	11' 11" x 15' 2"
	58" cue	12' 11" x 16' 2"
4' x 8' (44" x 88")	48" cue	11' 8" x 15' 4"
	52" cue	12' 4" x 16'
	58" cue	13' 4" x 17'
4.5' x 9' (50" x 100")	48" cue	12' 2" x 16' 4"
	52" cue	12' 10" x 17'
	58" cue	13' 10" x 18'

Billiards Table Assembly Instructions

Before you begin

Upon opening the cartons, make sure all components and hardware are included. Compare the hardware and components with the hardware list packed inside the rails or cabinet carton.

Tools and Materials:

Electric drill or battery-operated drill
3/8" drive ratchet
9/16" socket
6' level
Razor knife or straight-edge blades
Rubber mallet
Electric staple gun
1/2" wide crown staples edge blades
1/2" socket
Hammer
Butane torch

3" Putty knife
1/2" socket
Phillips bit #2 & #1
Screwdriver flat tip
Phillips screwdriver #2 & #1
Bee's wax
Spray adhesive
Wood putty touch-up
Spray lacquer touch-up
Fine sandpaper touch-up



Frame Assembly – Royal Series

Attaching the legs to the beams

Remove the legs and beams from their boxes. Place the legs upright in the area in which you plan to use the billiards table.



Place a support beam lengthwise, connecting the two leg pieces. Insert a long bolt at each end of the beam as shown and hand tighten them.



Repeat for the second support beam.

Do not tighten any of the bolts with a wrench yet.



Insert two bolts as shown and fasten each with a washer and nut. Repeat for each corner.



Place an end beam across the end of the table and insert a bolt as shown. Repeat for the opposite end of the table.

When all bolts have been inserted and hand tightened, tighten all bolts with a wrench.



Lay the cross beams as shown and insert bolts to secure them. When all bolts are in place, tighten all of them with a wrench.

Royal Series billiards tables do not have a liner. The slate is attached directly to the cross beams and end beams. When you have completed assembling the frame, go to page 9 and proceed with the section "Installing Slate – All Series".

Frame Assembly – Gold and Platinum Series

Assembling aprons and attaching the legs



Remove the legs and aprons from their boxes. Place the aprons face down on a clean, flat surface. Arrange them in a rectangle.

Unscrew the T nuts inserted in the ends of two adjacent aprons. There will be two T nuts at the end of each apron.



Screw in the posts in the corner join piece as shown. There will be four posts.



Lift one apron and insert the posts, connecting the corner join piece to the apron.

Lift the second apron and insert the posts as shown.



Making sure all pieces are flush, tighten the four T nuts with a screwdriver.

Repeat the above steps for the remaining three corners.



Place a leg crown beneath each corner as shown.
Insert two bolts with washers and fasten them with a wrench.
Repeat this step for the remaining legs.



With two people lifting the assembled aprons, place legs beneath each corner and insert a bolt with a washer through the crown to connect the leg. Hand tighten each bolt.
After all four legs have been attached, align each leg accordingly and tighten each bolt with a wrench.

Lay the liner flat on the frame and insert wood screws where they are required. Tighten the screws with a screwdriver.

When you have completed this, go to page 6 and proceed with the section "Center and Cross Beam Assembly – Gold and Platinum Series".

Frame Assembly – Diamond Series

Attaching the legs to the aprons



Remove the legs and aprons from their boxes. Place the legs upside down on a flat, clean surface.



Place the aprons between the legs.



Attach the cabinet aprons to the legs. No particular order is necessary. Hand tighten the bolts first.



After all the aprons are attached and the cabinet is assembled, completely tighten the bolts.



Turn the table over so that it rests on its legs.

When you have completed this, go to page 7 and proceed with the section “Center Beam and Crossbeam Assembly – Diamond Series”.

Center and Cross Beam Assembly – Gold and Platinum Series

Attaching center and cross beams



Place the center beam lengthwise in the slot inside the table frame. Insert two bolts with washers and nuts through the holes at each end and hand tighten them.



Place the two cross beams in the slots inside the table frame. Insert two bolts with washers and nuts through the holes at each end of each cross beam and hand tighten them.



Tighten all bolts and nuts for the beams with a wrench.



Lay the liner flat on the frame and insert wood screws where they are required. Tighten the screws with a screwdriver.

When you have completed this, go to page 9 and proceed with the section "Installing Slate – All Series".

Center Beam and Crossbeam Assembly – Diamond Series

Attaching center and cross beams

Insert the center beams.





Insert the cross beams.



Check squareness of the table by measuring it diagonally. Ensure both dimensions are within $\pm 1/8$ ".



Install the liners centered on pool table base, laying one piece at a time.



Securely tighten the liner to the base.



Check the pool table for levelness with a level.

When you have completed this, go to page 9 and proceed with the section "Installing Slate – All Series".

Installing Slate – All Series

The figures below show slate installation on a table with a liner. Royal series billiard tables do not have a liner – the slate attaches directly to the cross beams and end beams.

Laying down and fastening the slate



Lay the slate by placing the center piece first, then both ends. Check the flatness and levelness by placing a level horizontally from corner pocket to corner pocket and length of each slate piece.



Fasten the slate to the cabinet frame with screws in the pre-drilled counter sink holes.



Check the seams to ensure they are flush.



Leveling the table and fill the seams in the slate

If the seam is uneven, loosen the screws and tap shims under the slate to slightly raise the slate to make the height of the two pieces of slate level. When slate is leveled, retighten the screws. The picture at left shows the under side of the table.



Use beeswax to fill the seams in between slate pieces and the counter sunk holes. Use a torch to melt the wax.



Allow some time to let the wax harden. Remove any excess wax with a razor blade.



When the seams are sealed and level, the table is ready to be dressed.

When you have completed this, proceed with the section "Dressing the Rails – All Series".

Dressing the Rails – All Series



Preparing and cutting the felt

Find a flat, clean surface as shown. This activity is best performed on a 4x4 wood block, approximately 48" in length, so the entire rail length is stabilized and supported.



Spread felt to be used on top of rail, making sure " the up side" of felt is facing down. The face of the felt is marked by a yellow dot.



When measuring the feather strip piece, confirm that the groove will accommodate both the feather strip and felt.

Cut the pieces of feather strip 2" or 3" longer than the length of the rails.

Tapping the feather strip



Begin by tapping the feather strip into the groove at one end approximately 2" towards the center.



Do the same at the opposite end, making sure the felt is locked into the groove as shown on the picture.



Tap in the rest of the feather strip. (NEVER tap the feather strip with a HAMMER, as you will dent the rail surface behind the feather strip. We suggest a block of wood to tap in the feather strip).

Folding and stapling the felt



Turn the rail over and at the corner pockets fold the felt over the mitered edge.



Stretching the felt tightly and working out the wrinkles as you staple in the area.



Starting at the center of the rail, stretch the felt tightly over the cushion and staple at the center on the bottom of the rail working toward each end.

Covering the side pockets



At the side pocket area on rail, stretch the felt tightly over the nose of the cushion and staple it. Slit the felt up to the edge of the cushion nose as shown on picture.



Follow the previous step, then firmly pull the pieces and staple as needed.



Hold the small fold in place with your thumb and forefinger and firmly hold it down. Now, staple at the rear of the facing and the bottom of the rail.



Trim excess felt as needed.

When you have completed this, proceed with the section "Dressing the Slate – All Series".

Dressing the Slate – All Series

The figures below show dressing the slate on a table with a liner. Royal series billiard tables do not have a liner. When dressing the slate on a Royal series table, use a spray fixative to adhere the felt to the underside of the slate and the top of the slate near the pockets. If you use a staple gun, you can insert staples into the cross beams and end beams, but DO NOT insert staples into the slate.



Stretching and stapling the felt

Spread the felt face up on table making sure it covers the entire surface. There should be an overhang of 2" to 4". The overhang should be roughly the same all around.



Proceed to staple the felt on liner at one end of table. Begin from the center stapling half inch in both directions (using roughly 20 staples).

DO NOT STAPLE INTO THE SLATE!



On opposite end of table stretch the felt tightly and staple on liner following the previous step.



Now that the felt is stretched and stapled length wise, begin to stretch the felt to the sides and staple to liner. Making sure the felt is stretched smoothly and tightly on table without visible waves or ripples.

Fitting and fastening felt around the pockets



Lift the felt and spray the adhesive to the pocket cut-out and surrounding area. Let the adhesive cure per manufacturer's instructions (4 to 5 minutes). (As the picture shows, spray adhesive is used to affix the felt to these areas. It is important to protect surrounding areas such as aprons and legs from being sprayed.)



Once the adhesive has cured, pull the felt outward with one hand and with the other making a fist pressing downward into the pocket cutout in slate.



Once this has been accomplished, make a slit in the felt toward the center of pocket.

After the first slit, begin to make cuts around to the rest of felt on pocket cutout, the cuts should be about 1/2" from each other.



Begin pulling the strips, fix and staple to bottom of liner. Do same process to all pocket areas, keeping wrinkles and ripples from forming.



Make sure all corner and side pockets appear the same. Trim off any excess.

When you have completed this, proceed with either "Installing Rails and Pockets – Royal Series" or "Installing Rails and Pockets – All Other Series".

Installing Rails and Pockets – Royal Series



Join the rail corners with a rail connector. Place the connector between the two rail corners and slide them together.



Insert a screw and a flat washer to connect the pieces and form a corner.



Tighten the screw with a screwdriver or drill. Do not overtighten.

Do the same for the three remaining corners.



Place an apron section in position on a rail and insert the two bolts. After they have been hand tightened, fasten them with a wrench.

Do the same for the remaining apron sections.



After all apron sections have been attached, slide the plastic corner moldings in place on all four corners.



Attach the four moldings to the apron with wood screws as shown. Do not overtighten.

Turn the table over to proceed with pocket assembly. Do not turn the table over by yourself – have someone help you!



All six pockets are identical – four pockets need to be trimmed to fit in the corners. Using heavy scissors or shears, widen the gap as shown. You may need to measure and cut several times.



Place the pockets in the corners or sides as appropriate.



Gently tack the six pockets in place.

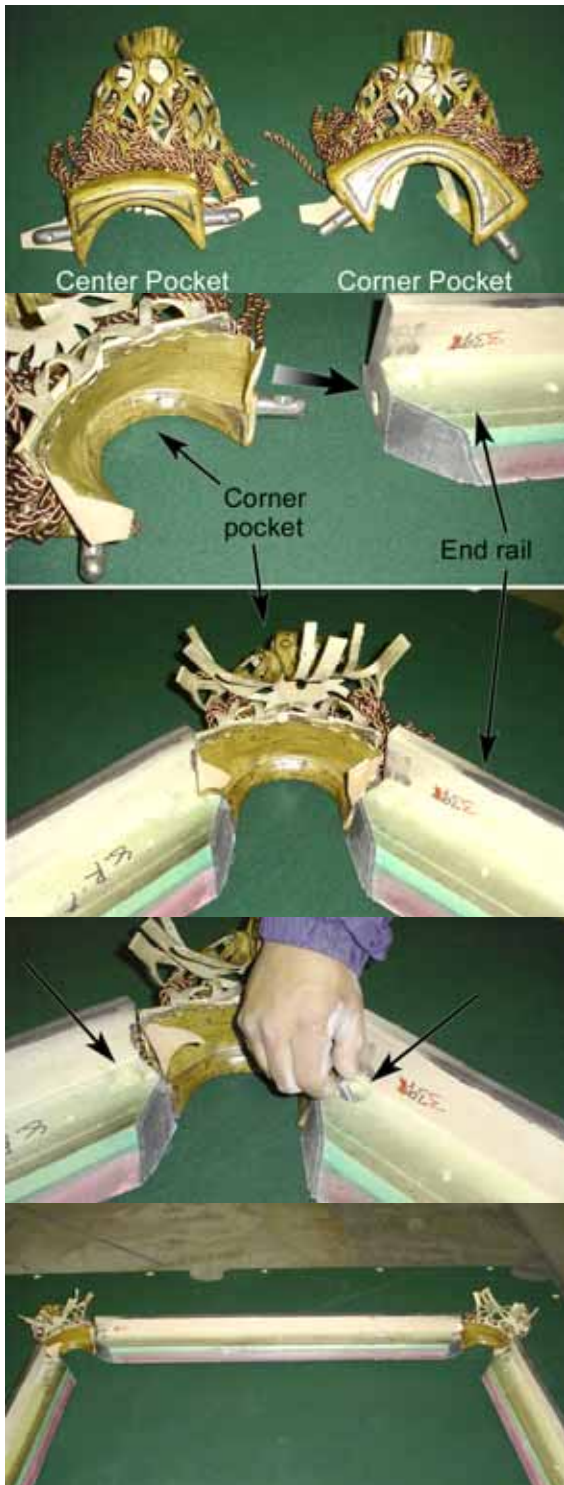
The Royal Series billiards table is finished.

Installing Rails and Pockets – All Other Series

Before you begin, make sure the dressed slate is free of debris.

Attaching the pockets to the rails

Start with one of the corner pockets.



Insert the metal portion of the corner pocket into the pre-drilled hole at the end of the end rail.

Insert the bolts into the pre-drilled holes and hand tighten.

Repeat the steps above and attach the corner rail to the other side of the end rail. Do not attach the side pockets yet.



Tighten all four bolts with a socket wrench.

Attach the two remaining corner pockets to the remaining end and side rails as described above.

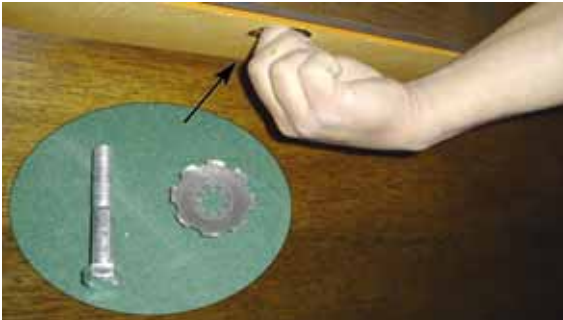


Connect the ends of the side rails with the two side pockets by repeating the previous steps.



Turn the rails over and place them on the table in their proper position.

Attaching the rails to the table



Insert a large bolt with a cupped lock washer into one of the pre-drilled holes under the table beneath the rails. Tighten it by hand. Do not tighten it with a socket wrench yet.

Insert the 11 remaining bolts with lock washers into the pre-drilled holes and hand tighten them.

Tighten all of the large bolts with a socket wrench. Do not overtighten – you will break the slate!



Using brass wood screws, screw the pocket straps to the underside of the table.



When all of the pockets have been attached, the billiard table is finished.

Electronic Options

Billiards table owners with the optional CD player and stereo receiver or LED perimeter lights will find them fully installed within the billiards table and ready to use. No assembly or wiring is required. All that is needed is to plug the cord into a 120V electrical outlet.

Note: Although the electrical cord has been designed so it's out of the way and doesn't draw attention to itself, the area around your billiards table is a high traffic area and the cord can easily become a trip hazard. Place a small carpet or floor runner over the power cord, or purchase a lay-flat cord cover from a hardware store.

CD Player and Receiver

The stereo is located beneath the rail at the end of the table (see Figure 1). Its operation is very simple and is described in detail in the manufacturer's owner's manual.



Figure 1. Stereo located at end of billiards table

LED Perimeter Lights

The switch for the LED perimeter lights is located beneath the cabinet at the end of the table with the stereo. One switch controls the power. Turning it off and on will let you cycle through all of the color modes. The four light display modes work in the following sequence:

Action	Mode	Description
Switch on	Fade	When you first switch the lights on, the colors will slowly fade and change from one color to the next.
Switch off then on	Cycle Colors	When the light are in Fade mode, turn the switch off then on again. The light will change to a different color. If you switch the light off and then on again, the light will change again. Each time you switch the light off and then on again, the color will change.
Switch off then on	Fast Cycle	When the lights are in fast Cycle Colors mode, turn the switch off and then on again. The lights will cycle through all the color combinations at a rate of about one per second.

Switch off then on Show All

When the lights are in Fast Cycle mode, turn the switch off then on one last time to show turn on all of the lights in the LED lamp.

Cleaning and Maintenance

Synthetic Finishes

Synthetic surfaces, such a vinyl and FORMICA®, can be cleaned with a damp cloth and mild detergent.

Wood and Wood Finishes

- Dust natural wood cabinetry frequently. To restore original luster, use a non-residue-producing dusting agent, such as mild lemon oil.
- Never use glass cleaner on wood surfaces -- the ammonia can chemically attack the finish.
- Extremely high or low humidity can cause the wood to warp and crack over time. Regulate humidity with a humidifier or dehumidifier accordingly.
- Although the finish is durable, spills should be cleaned immediately to prevent stains or damage.

Felt Care

- Until it is broken in, new felt can considerably affect ball roll. This is normal. Break in your felt by brushing it as often as possible during the first three months of use.
- Alternate breaking and racking ends of table when possible. Avoid excessively sliding the rack - try to rack in one motion.
- Avoid excessive ball build-up in pockets. If not allowed to drop properly, balls can wear out the felt around the pockets more quickly.
- Chalk is a grinding agent, so avoid chalking your cue over the table.
- The masse, the jump shot, and similar tricks, can lead to scars or tears in the felt.
- Always brush the felt in the same direction toward the end of the table. Never brush in a circular motion. Felt may be vacuumed, in one direction only, using the upholstery attachment.
- To protect your felt against light, dust and moisture, cover your table when no in use.
- The felt can wrinkle and become loose if subjected to extreme temperatures or humidity.
- With care, your felt will last for years. Contact your Camelot dealer when your felt needs to be replaced.

Pockets and Hardware Care

- Protect pockets from heat and light (sunlight, fireplaces, etc.) and humidity.
- Do not sit or lean on pockets.
- To avoid scuffing when shooting, never slide the cue over the pocket.
- Examine pockets frequently to ensure no tacks or staples have loosened. Loose tacks can damage pool balls.
- Dust pockets frequently. Clean with a damp cloth and mild soap when needed. Dry with a soft cloth.
- Never set anything on pockets - pen, ink, nail polish remover, etc., can permanently stain pockets.

- For leather pockets, treat with saddle soap or similar product. When finished, wipe pockets thoroughly to prevent ball and felt blemishes.
- Avoid storing balls in pockets for extended periods of time. If you do, distribute the balls evenly in all pockets.

Hardware

- Clean table hardware components with a damp cloth. This includes rail caps, cabinet corners, table feet and leg levelers.
- Brushed aluminum components should only be cleaned with Never Dull®. This finish can be scratched and dulled if other cleaners are used.

Balls

- Clean balls as needed with a mild household degreaser, such as 409®. Dry and polish with a clean soft cloth.
- Stubborn stains can be removed with a non-abrasive cleanser, such as Soft Scrub®. Dry and polish with clean soft cloth.
- For a spectacular shine, after cleaning balls, apply paste wax and buff to a bright luster.

Cues

- Always store cues upright in a wall rack located away from outside walls, doors and heat vents. Because wooden cues are susceptible to warping, never lean cues against a wall or table for any length of time.
- Clean cues as needed with a damp rag and mild soap. Dry and polish with a clean soft cloth.

A Few Billiard Table Care “NEVERS”

- Never sit on your Camelot billiards table, as it could break the seal between the rails and cushions, resulting in dead cushions that produce no ball response.
- Never attempt to move your table. If you need to move your assembled table, call your Camelot dealer.
- Never set drinks or food on your table.
- Never place your table in direct sunlight.
- Never use harsh chemicals or cleaners to clean your table.
- Never smoke near your table.
- Never stand on your table, as it could throw it out of level.
- Never allow balls to build up in pockets.
- Never store balls in pockets.

Bar Owner's Manual

Before the delivery of your new Camelot bar, we strongly suggest that you have a room that is large enough to accommodate both your bar and your guests. If you purchased a bar with a canopy, be sure your ceiling is high enough! (You need a minimum of 84".)

Canopy Assembly

Be sure you have **at least one other person** to help you with bar canopy installation.

Installing the canopy poles



Place the canopy on the floor upside down and remove the packaging.

Unscrew the ring from the pole seat.



Select one of the poles, insert it through the ring, and place the end in the pole seat.



Ensure the pole is properly seated and tighten both set screws.



Lower the ring on to the pole seat and screw it tightly in place.

Repeat steps above for the remaining canopy poles.

Raising and placing the canopy on the bar

Unscrew the three brass rings on the top of the bar.



Turn the canopy over and rest it on the poles.

If your canopy has halogen lighting, reach inside the hole in the top of the canopy and pull out the power cord.



You will need at least one other person to help you with this step!

Lift the canopy and place the canopy poles in the pole seats.





Tighten the two set screws with a screwdriver and tighten the pole ring.



Your bar canopy is ready to use. The canopy was designed for storage of very lightweight items, such as stemware and built-in halogen lighting. Do not place heavy objects on it or suspend anything from it.

Foot Rest Assembly

For the following procedure, see Figure 2.

- 1. Set the bar in the desired location.
- 2. -Prepare the foot rest by pre-drilling pilot holes for the combination brackets. Place the brackets flt against the bar front and position them so that the opposite end sets flat on the floor surface. Mark hole locations with pencil. Drill 1/4" deep with a 5/32" drill bit.
- 3. -Slide the combination brackets at each end of the rail before attaching them to the bar. Use 1" screws to secure the combination brackets to the bar front.
- 4. -Use 3/4" self-tapping screws to fasten each combination bracket to the foot rail. This will prevent the rail from twisting or turning.

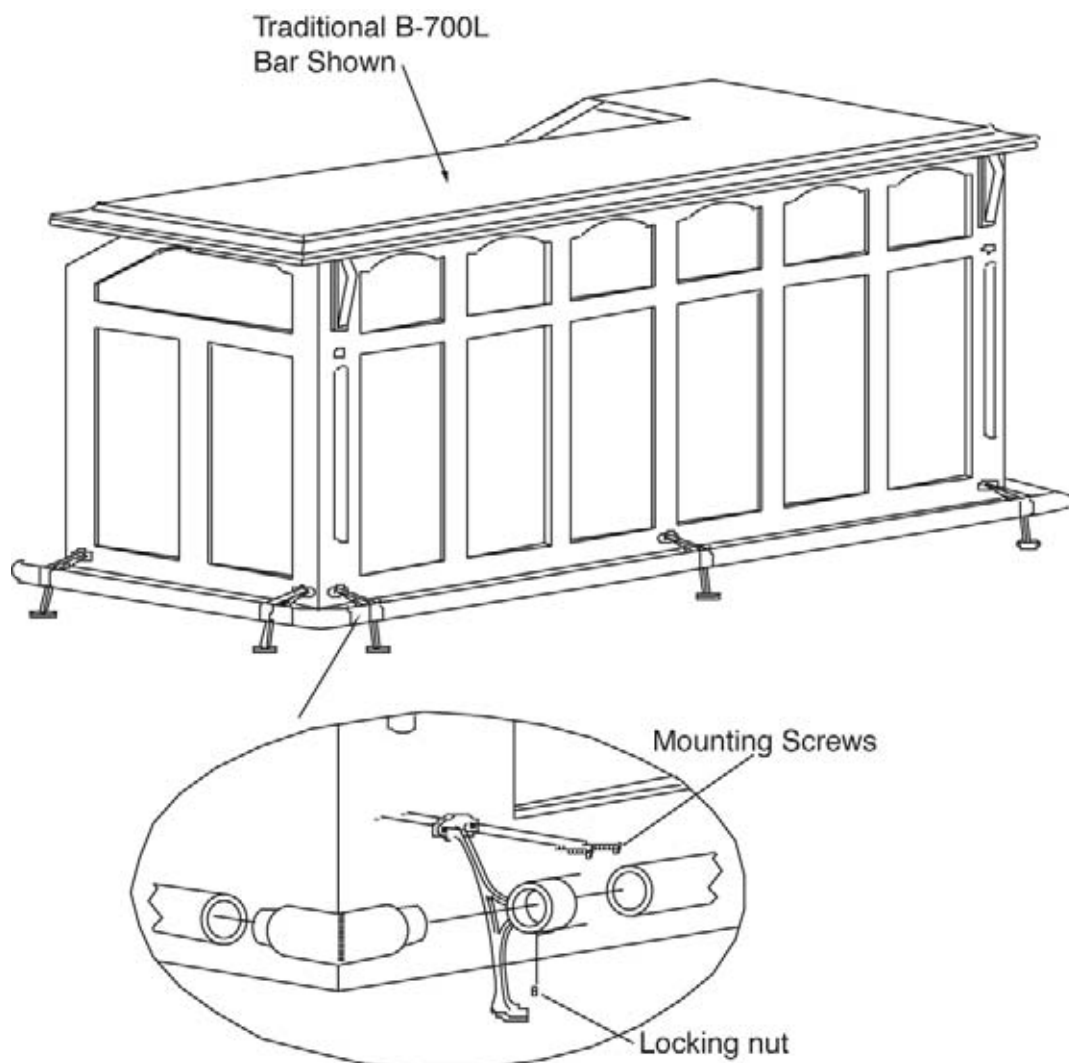


Figure 2. Foot rest assembly

Electronic Options

Bar owners with the optional DVD player, LED mood lights, or overhead halogen lights will find them fully installed within the bar and ready to use. No assembly or wiring is required. All that is needed is to plug the cord into a 120V electrical outlet.

If your bar has LED mood lights installed (Model P-304):

Although the electrical cord has been designed to be out of the way and not draw attention to itself, the area around your bar is a high traffic area and the cord can easily become a trip hazard. Place a small carpet or floor runner over the power cord, or purchase a lay-flat cord cover from a hardware store.

If your bar has a canopy with electronic options installed:

The power cord for your overhead electronic options is located at the top of the canopy. Although you have several options for bringing power to your bar, your best choice is to hire an electrician to install a 120V electrical outlet in the ceiling near the bar canopy's permanent location. This has the benefit of hiding the power cord while being much safer than an unsightly extension cord.

DVD Player

The DVD player is located beneath the canopy at the front of the bar. The controls face the bartender. Lower the screen by pressing a small latch that keeps it mounted to the case and lowering it 90°. The screen may be rotated for viewers' convenience. For more detail on the operation of the DVD player, see the manufacturer's owner's manual.

LED Mood Lights (Model P-304 only)

The switch for the LED mood lights is located behind the bar and can be accessed by the bartender. One switch controls the power. Turning it off and on will let you cycle through all of the color modes. The four light display modes work in the following sequence:

Action	Mode	Description
Switch on	Fade	When you first switch the lights on, the colors will slowly fade and change from one color to the next.
Switch off then on	Cycle Colors	When the light are in Fade mode, turn the switch off then on again. The light will change to a different color. If you switch the light off and then on again, the light will change again. Each time you switch the light off and then on again, the color will change.
Switch off then on	Fast Cycle	When the lights are in fast Cycle Colors mode, turn the switch off and then on again. The lights will cycle through all the color combinations at a rate of about one per second.
Switch off then on	Show All	When the lights are in Fast Cycle mode, turn the switch off then on one last time to show turn on all of the lights in the LED lamp.

Cleaning and Maintenance

The cleaning and maintenance for a bar is very easy to do. The following steps should simply the cleaning and maintenance of your new bar.

Keep a Dry Environment

Moisture will damage your bar if not properly taken care of. There is a veneer coating on the bar, but unattended moisture (ie. spilled drink, cold drinks not utilizing a coaster) can scar the surface permanently. Moisture, over a long period of time, can also dull the finish.

Prevent Scratches

Dusting regularly, while keeping your bar clean, will also prevent scratches. Dust is tiny particles of dirt. Think of it this way: You have a new car. Take a hand full of dirt, or sand, and sprinkle it on the hood of that brand new car. Now rub it in. You can imagine the scratches that will be left. Its the same with your new bar. Every time that dust is rubbed on the bar, it leaves tiny little scratches behind. You might think that they are tiny scratches, but just imagine this scenario happening over the course of the next 5 years. These little scratches will eventually turn in to bigger scratches that will allow moisture to seep into the scratches to the wood underneath.

Maintaining Your Glass Counter Top

Glass is an excellent counter top surface because it resists most chemicals and stains. However, it can be permanents scratched, so avoid moving rough objects across it and do not use abrasives on it. Also, although the glass is heavy and strong, it can be broken or cracked by hard blows.

Clean your glass counter top with a mild alkaline solution, such as two tablespoons of ammonia in a quart of water. Polish dry with paper towels. You may also use a commercial glass cleaner. Be very careful that no glass cleaner gets on the wood surrounding the glass as it may damage the wood finish.

Appendix

Replacement Parts

Rails

	CS100-B	FS100-B
RAIL SET COMPLETE	CML06300907	CML06301056
END RAIL	CML06300908	CML06301057
END RAIL W/LOGO	CML06301015WL	CML06301058
SIDE RAIL RIGHT	CML06300909	CML06301060
SIDE RAIL LEFT	N/A	CML06301238
END PRON	CML06301320	CML06301058
SIDE APRON RIGHT	CML06301016	CML06301061

	CS105	CS106	CS106-7'	CS107	CS108	CS200
RAIL SET COMPLETE	CML06302880	CML06302885	CML06302883	CML06302888	CML06302891	CML06302894
END RAIL NO LOGO	CML06303040	CML06303092	CML06303061	CML06303170	CML06303205	CML06303214
END RAIL W/ LOGO	CML06303042	CML06303093	CML06303062	CML06303171	CML06303207	CML06303215
SIDE RAIL RIGHT	CML06303046	CML06303095	CML06303063	CML06303172	CML06303209	CML06303216
SIDE RAIL LEFT	CML06303048	CML06303097	CML06303064	CML06303173	CML06303211	CML06303217

	CS202	CS204	CS206-7'	CS206	CS208	CS210
RAIL SET COMPLETE	CML06302897	CML06302881	CML06302884	CML06302886	CML06302889	CML06302892
END RAIL NO LOGO	CML06303220	CML06303230	CML06303241	CML06303250	CML06303262	CML06303271
END RAIL WITH LOGO	CML06303222	CML06303231	CML06303243	CML06303251	CML06303264	CML06303273
SIDE RAIL RIGHT	CML06303224	CML0633232	CML06303245	CML06303252	CML06303266	CML06303275
SIDE RAIL LEFT	CML06303226	CML06303233	CML06303247	CML06303253	CML06303268	CML06303277

	CS212	CS214	CS216	CS218	CS220-7'	CS220
RAIL SET COMPLETE	CML06302896	CML06302900	CML06302910	CML06302913	CML06302916	CML06302919
END RAIL NO LOGO	CML06303280	CML06303011	CML06303017	CML06303025	CML06303034	CML06303050
END RAIL W/ LOGO	CML06303281	CML06303013	CML06303018	CML06303026	CML06303035	CML06303052
SIDE RAIL RIGHT	CML06303282	CML06303014	CML06303019	CML06306327	CML06303036	CML06303054
SIDE RAIL LEFT	CML06303283	CML06303015	CML06303020	CML06306328	CML06303037	CML06303056

	CS300	CS300-9'	CS302	CS304	CS304-9'	CS306
RAIL SET COMPLETE	CML06302922	CML06302925	CML06302928	CML06302931	CML06302934	CML06302937
END RAIL NO LOGO	CML06303071	CML06303082	CML06303105	CML06303112	CML06303125	CML06303140
END RAIL W/ LOGO	CML06303073	CML06303084	CML06303107	CML06303116	CML06303126	CML06303141
SIDE RAIL RIGHT	CML06303075	CML06303086	CML06313109	CML06303121	CML06303127	CML06303142
SIDE RAIL LEFT	CML06303077	CML06303087	CML06303110	CML06303123	CML06303128	CML06303143

	CS401	CS403	CS405
RAIL SET COMPLETE	CML06302941	CML06302944	CML06302947
END RAIL NO LOGO	CML06303152	CML06303161	CML06303130
END RAIL WITH LOGO	CML06303153	CML06303162	CML06303131
SIDE RAIL RIGHT	CML06303154	CML06303163	CML06303132
SIDE RAIL LEFT	CML06303155	CML06303164	CML06303133

	FS105	FS106	FS106-7	FS107	FS108	FS206-7'
RAIL SET COMPLETE	CML06301077	CML06301102	CML06302310	CML06301115	CML06301124	CML06302360
END RAIL NO LOGO	CML06301078	CML06301112	CML06302325	CML06301116	CML06301125	CML06302362
END RAIL WITH LOGO	CML06301079	CML06301113	CML06302330	CML06301117	CML06301126	CML06302365
SIDE RAIL RIGHT	CML06301081	CML06301198	CML06302340	CML06301119	CML06301128	CML06302367
SIDE RAIL LEFT	CML06301082	CML06301106	CML06302355	CML06301120	CML06301129	CML06302369

	FS206	FS208	FS210	FS302	FS304	FS304-9
RAIL SET COMPLETE	CML06301155	CML06301163	CML06301171	CML06301181	CML06301190	CML06302371
END RAIL NO LOGO	CML06301156	CML06301164	CML06301172	CML06301182	CML06301191	CML06302373
END RAIL WITH LOGO	CML06301157	CML06301165	CML06301173	CML06301183	CML06301192	CML06302375
SIDE RAIL RIGHT	CML06301159	CML06301167	CML06301175	CML06301185	CML06301194	CML06302377
SIDE RAIL LEFT	CML06301160	CML06301168	CML06301176	CML06301186	CML06301195	CML06302379

	FS306
RAIL SET COMPLETE	CML06301214
END RAIL NO LOGO	CML06301215
END RAIL WITH LOGO	CML06301216
SIDE RAIL RIGHT	CML06301218
SIDE RAIL LEFT	CML06301219

Rails – Cushions and Feather Stripping

Sold by sets – 6/set

CML06400040	8ft Championship K-66 Profile Cushion
CML06400041	9ft Championship K-66 Profile Cushion

Feather Strip -- Sold by foot

CML06400051	Feather Stripping
-------------	-------------------

Cabinets for CS & FS

	CS100-B	CS105	CS106-7'	CS106	CS107
CABINET ASSEMBLY	CML06300906	CML06302420	CML06302430	CML06302440	CML06302450

	CS108	CS200	CS202	CS204	CS206-7'
CABINET ASSEMBLY	CML06302460	CML06302500	CML0630510	CML06302520	CML06302530

	CS206	CS208	CS210	CS212	CS214
CABINET ASSEMBLY	CML0630253	CML06302540	CML06302545	CML06302550	CML06302555

	CS216	CS218	CS220-7'	CS220	CS300
CABINET ASSEMBLY	CML06302560	CML06302565	CML06302570	CML06302575	CML06302600

	CS300-9'	CS302	CS304	CS304-9'	CS306
CABINET ASSEMBLY	CML06302610	CML06302620	CML06302630	CML0602640	CML06302650

	CS401	CS403	CS405	FS100-B	FS1105
CABINET ASSEMBLY	CML06302660	CML06302670	CML06302680	CML06301054	

	FS106-7'	FS106	FS107	FS108	FS206-7'
CABINET ASSEMBLY	CML06302700	CML06301098	CML06301110	CML06301121	CML06302720

	FS206	FS208	FS210	FS302	FS304
CABINET ASSEMBLY	CML06301153	CML06301161		CML06301177	CML06301188

	FS304-9'	FS306			
CABINET ASSEMBLY	CML06301196				

Legs CS & FS

	Table			Table
CML06300911	CS100B		CML06301064	FS100B
CML06302805	CS105		CML06301083	FS105
CML06302808	CS106		CML06270110	FS106
CML06302811	CS107		CML06270381	FS107
CML06302815	CS108		CML06270380	FS108
CML06302819	CS200		CML06270391	FS206
CML06302824	CS202		CML06270393	FS208
CML06302828	CS204		CML06270392	FS210
CML06302837	CS206		CML06270388	FS302
CML06302841	CS208		CML06270389	FS304
CML06302845	CS210		CML06301220	FS306
CML06302847	CS300			
CML06302849	CS302			
CML06302853	CS304			
CML06302961	CS306			
CML06302865	CS401			
CML06302765	CS403			
CML06302768	CS405			

Legs are sold individually.

Pockets -- CS & FS Series

CML06290127	POCKETS SHIELD COGNAC
CML06290128	POCKETS SHIELD FRUITWOOD
CML06290129	POCKETS SHIELD NUTMEG

Pockets are sold per set only.

Slate

CML06100330	8ft 1 1/4" K-pattern
CML06100300	9ft 1" slate K-pattern
CML06100310	8ft 1" slate K-pattern
CML06100320	7ft 1" slate K-pattern

Hardware Kits for CS & FS

<i>CML06300996</i>	HARDWARE KIT FOR CS100-B, CS100-O
CML06300998	HARDWARE KIT CS105 THRU CS108
CML06303305	HARDWARE KIT CS200 THRU CS220
CML06303315	HARDWARE KIT CS300 THRU CS304, CS401
CML06303320	HARDWARE KIT FOR CS306
CML06303325	HARDWARE KIT FOR CS403
CML06303330	HARDWARE KIT FOR CS405
CML06301065	HARDWARE KIT FOR FS100-B, FS100-O
CML06400010	HARDWARE KIT FS105 THRU FS108
CML06303340	HARDWARE KIT FS206 THRU FS212
CML06303343	HARDWARE KIT FS302 THRU FS304
CML06303347	HARDWARE KIT FS306

Entertainment -- Stereo

ELE09300008	CLARION STEREO/CD & REMOTE DB315
ELE09300048	3.5 Speaker two-way #VX-S35BX2
ELE09904600	Power supply 2001 model 100-240vac 12V,5A

Lighting

LIT16100161	CONTROLLER JUNCTION BOX, LIGHT
LIT16100162	LED, 3 COLOR INDIVIDUAL LIGHT
LIT16100163	LED CABLE HARNESS - 8' LED TO LED 4 WIRE LIGHT
LIT16100167	ROUND FIBER LENS ASSEMBLY, PVC LIGHT

Game Room Accessories

Game Tables, Pub Tables, Chairs, Racks & Back Bars

CML06500021-B	CS 2-IN-1 GAME TABLE, BRANDY
CML06500021-N	CS 2-IN-1 GAME TABLE, NUTMEG
CML06500043-B	CS PUB TABLE, 36" RAM'S HEAD LEG, BRANDY
CML06500043-N	CS PUB TABLE, 36" RAM'S HEAD LEG, NUTMEG
CML06500084-B	CS GAME TABLE CHAIR, LEATHER LADDER BACK, BRANDY
CML06500084-N	CS GAME TABLE CHAIR, LEATHER LADDER BACK, NUTMEG
CML06500011-B	CS BAR STOOL, LEATHER LADDER BACK, BRANDY
CML06500011-N	CS BAR STOOL, LEATHER LADDER BACK, NUTMEG
CML06500000	*FS 3-IN-1 GAME TABLE
CML06500020	*FS 2-IN-1 GAME TABLE
CML06500030	*FS PUB TABLE
CML06500015(B)	*FS 2-IN-1 PUB TABLE - BALL & CLAW LEG
CML06500015(S)	*FS 2-IN-1 PUB TABLE - STANDARD LEG
CML06500085	*FS GAME TABLE CHAIR

CML06500140	*FS SPECTATOR CHAIR
CML06500090	*FS DUAL SPECTATOR CHAIR
CML06500145	*FS STORAGE LOVE SEAT
CML06500050	*FS 8 CUE WALL RACK
CML06500060	*FS 8 CUE & 2 CUP WALL RACK
CML06500070	*FS 8 CUE & BALL WALL RACK
CML06500071	*FS 8 CUE CORNER RACK
CML06500072	*FS 9 CUE PALLET RACK
CML06500073	*FS 9 CUE ROUND RACK
CML06500074	*FS 8 CUE FREE STANDING CORNER RACK
CML06300185	*FS BC100
CML06300186	*FS BC200
CML06300187	*FS BC300
CML06300188	*FS BC400
CML06500345	2 pc. Pool table acc kit
CML06500350	4 pc. Pool table acc kit

* Specify wood type (oak or maple) and stain.

Bar Accessories – Drop Down TV

ELE09301098	Audiovox 10.2 LCD Monitor TV / DVD
ELE09906521	Wood Monitor Housing
ELE09300048	3.5 Speaker two-way

Canopy Lighting

ELE09900817	COMBILIGHT 120V 20W 3H NICKLE,3LIGHTS IN-LINE
--------------------	---

Brass Footrest

CML06301261	FOOT REST BRASS BAR-T104
CML06301263	FOOT REST BRASS BAR- T98
CML06301264	FOOT REST BRASS BAR-T106
CML06301265	FOOT REST BRASS BAR-L201
CML06301267	FOOT REST BRASS BAR-L202
CML06301269	FOOT REST BRASS BAR-L203
CML06301270	FOOT REST BRASS BAR-L204
CML06301273	FOOT REST BRASS BAR-L205
CML06301274	FOOT REST BRASS BAR-P301
CML06301277	FOOT REST BRASS BAR- P302
CML06301278	FOOT REST BRASS BAR- P303
CML06301279	FOOT REST BRASS BAR-P304

Bottle Well and Dry Sink

CML06300255	Bottle Well
--------------------	-------------

Appendix

Felt -- Titan

	7 ft		8 ft		9ft
CML06230020	7' Titan standard (Basic) green felt	CML06230220	8' Titan Standard (Basic) Green felt	CML06230430	9' Titan Standard (Basic) Green felt
CML06230030	7' Titan Dark grn felt	CML06230230	8' Titan Dark grn felt	CML06230440	9' Titan Dark grn felt
CML06230031	7' Titan Olive felt	CML06230231	8' Titan Olive felt	CML06230441	9' Titan Olive felt
CML06230040	7' Titan Red felt	CML06230240	8' Titan Red felt	CML06230450	9' Titan Red felt
CML06230045	7' Titan Brick felt	CML06230245	8' Titan Brick felt	CML06230455	9' Titan Brick felt
CML06230050	7' Titan Engl green felt	CML06230250	8' Titan Engl Grn felt	CML06230460	9' Titan Engl Green felt
CML06230051	7' Titan Tournament Grn	CML06230251	8' Titan Tournament Grn	CML06230461	9' Titan Tournament Grn
CML06230060	7' Titan Botl green felt	CML06230260	8' Titan Botl green felt	CML06230470	9' Titan Botl Green felt
CML06230070	7' Titan Electric blue felt	CML06230270	8' Titan Electric Blue felt	CML06230480	9' Titan Electric Blue felt
CML06230080	7' Titan Basic blue felt	CML06230280	8' Titan Basic blue felt	CML06230490	9' Titan Basic Blue felt
CML06230090	7' Titan Camel felt	CML06230290	8' Titan Camel felt	CML06230500	9' Titan Camel felt
CML06230291	7' Titan Golden felt	CML06230291	8' Titan Golden felt	CML06230501	9' Titan Golden felt
CML06230095	7' Titan Khaki Felt	CML06230295	8' Titan Khaki felt	CML06230505	9' Titan Khaki felt
CML06230100	7' Titan Academy blue felt	CML06230300	8' Titan Academy blue felt	CML06230510	9' Titan Academy blue felt
CML06230120	7' Titan Eggplant felt	CML06230320	8' Titan Eggplant felt	CML06230530	9' Titan Eggplant felt
CML06230211	7' Titan Purple felt	CML06230325	8' Titan Purple Felt	CML06230621	9' Titan Purple felt
CML06230130	7' Titan Mauve felt	CML06230330	8' Titan Mauve felt	CML06230540	9' Titan Mauve felt
CML06230140	7' Titan Navy blue felt	CML06230340	8' Titan Navy Blue felt	CML06230550	9' Titan Navy blue felt
CML06230150	7' Titan Burgundy felt	CML06230350	8' Titan Burgundy felt	CML06230560	9' Titan Burgundy felt
CML06230160	7' Titan Wine felt	CML06230360	8' Titan Wine felt	CML06230570	9' Titan Wine felt
CML06230170	7' Titan Moss grn felt	CML06230370	8' Titan Moss grn felt	CML06230580	9' Titan Moss grn felt
CML06230180	7' Titan Steel grey felt	CML06230380	8' Titan Steel grey felt	CML06230590	9' Titan Steel Grey felt
CML06230190	7' Titan Charcoal Grey felt	CML06230390	8' Titan Charcoal Grey felt	CML06230600	9' Titan Charcoal Grey felt
CML06230191	7' Titan Taupe felt	CML06230391	8' Titan Taupe felt	CML06230591	9' Titan Taupe felt
CML06230200	7' Titan Black felt	CML06230400	8' Titan Black felt	CML06230610	9' Titan Black felt
CML06230205	7' Titan Aztec felt	CML06230410	8' Titan Aztec felt	CML06230615	9' Titan Aztec felt
CML06230072	7' Titan Euro Blue felt	CML06230272	8' Titan Euro Blue felt	CML06230482	9' Titan Euro Blue
CML06230092	7' Titan Brown Felt	CML06230292	8' Titan Brown Felt	CML06230502	9' Titan Brown Felt
CML06230212	7' Titan Gold felt	CML06230422	8' Titan Gold felt	CML06230622	9' Titan Gold felt
CML06230213	7' Titan Orange felt	CML06230423	8' Titan Orange felt	CML06230623	9' Titan Orange felt
CML06230073	7' Titan Columbia Blue	CML06230273	8' Titan Columbian Blue	CML06230483	9' Titan Columbian Felt

Felt -- Tour Edition

	7 ft		8 ft		9ft
CML62303051	7' Tour Edition Tournament Green	CML62303251	8' Tour Edition Tournament Green	CML62303461	9' Tour Edition Tournament Green
CML62303030	7' Tour Edition Dark Green	CML62303230	8' Tour Edition Dark Green	CML62303440	9' Tour Edition Dark Green
CML62303060	7' Tour Edition Bottle Green	CML62303260	8' Tour Edition Bottle Green	CML62303470	9' Tour Edition Bottle Green
CML62303150	7' Tour Edition Burgundy	CML62303350	8' Tour Edition Burgundy	CML62303560	9' Tour Edition Burgundy
CML62303160	7' Tour Edition Wine	CML62303360	8' Tour Edition Wine	CML62303570	9' Tour Edition Wine
CML62303091	7' Tour Edition Golden	CML62303291	8' Tour Edition Golden	CML62303501	9' Tour Edition Golden
CML62303072	7' Tour Edition Euro Blue	CML62303272	8' Tour Edition Euro Blue	CML62303482	9' Tour Edition Euro Blue
CML62303140	7' Tour Edition Navy Blue	CML62303340	8' Tour Edition Navy Blue	CML62303550	9' Tour Edition Navy Blue
CML62303200	7' Tour Edition Black	CML62303400	8' Tour Edition Black	CML62303610	9' Tour Edition Black

Felt -- Mercury

	7 ft		8 ft		9ft
CML62304051	7' Mercury Tournament Green	CML62304251	8' Mercury Tournament Green	CML62304461	9' Mercury Tournament Green
CML62304030	7' Mercury Dark Green	CML62304230	8' Mercury Dark Green	CML62304440	9' Mercury Dark Green
CML62304020	7' Mercury Basic Green	CML62304220	8' Mercury Basic Green	CML62304430	9' Mercury Basic Green
CML62304070	7' Mercury Electric Blue	CML62304270	8' Mercury Electric Blue	CML62304480	9' Mercury Electric Blue
CML62304150	7' Mercury Burgundy	CML62304350	8' Mercury Burgundy	CML62304560	9' Mercury Burgundy

Felt -- Valley Ultra

	7 ft		8 ft		9ft
CML62405051	7' Valley Ultra Tournament Green	CML62405251	8' Valley Ultra Tournament Green	CML62405461	9' Valley Ultra Tournament Green

Warranty

WARRANTY INFORMATION

See your Cal Spa Camelot Billiards Table dealer for a copy of the applicable warranty, details and any questions you may have regarding the warranty coverage on your billiards table or bar.

Warranty Limitations

The Limited Warranty is void if the billiard table has been subject to negligence, alteration, misuse, abuse, repairs by non- C.A.I. authorized representatives, incorrect installation, acts of God and any other cases beyond the control of C.A.I. Examples of common acts invalidating this warranty include but are not limited to:

- Scratches caused by normal use.
- Damage caused by extreme weather conditions. (hot, cold, etc.)
- Damage caused by dirt, sand, and/or water damage.
- Damage caused by continued use of the billiard table with either known or unknown problems.
- Damage caused by direct sunlight (i.e. fading of the felt covering).
- Damage caused as a result of failure to follow the operating instructions as defined in this owner's manual.

Warranty Exclusions

C.A.I. warrants the billiards table from defects in material and workmanship for a period of one year from the original date of purchase.

2006 WARRANTY

C.A.I. offers a limited warranty against defects in material and workmanship at time of delivery and / or for specified time frames on:

Warranty

C.A.I. warrants that the Hardwood Rails, Interior Bracings, Table Cabinet, Legs and Bar Tops will not split, crack, or warp due to defects in material or workmanship. This warranty specifically excludes wear items such as felt, pockets, lights, and brass railings. These items are warranted to be delivered free of defects in material and workmanship. C.A.I. warrants Rails and Cushions from dry rot or hardening due to defects in material and / or workmanship. C.A.I. warrants the Slate Bed will not warp or crack due to defects in material and / or workmanship. C.A.I. Dura-Slate tables are warranted for ninety (90) days. C.A.I. warrants the L.E.D. light source for a period of one year from the original date of purchase.

Extent of Warranty

This limited warranty applies only to products delivered in the continental United States or Canada and extends to the original purchaser at the original site of installation only. This warranty becomes valid at time of purchase and terminates either by specified time-frame listed above, owner transfer, or relocation.

Billiard Tables, Game Tables & Bars

After the first year, any necessary labor and freight costs become the primary responsibility of the owner.

Warranty Limitations

This warranty does not apply if the billiard table, game table, or bar has been subject to negligence, alteration, misuse, abuse, repairs by non-C.A.I. authorized representatives, incorrect installation, acts of God, or any other cases beyond the control of C.A.I. Examples of common acts invalidating this warranty include but are not limited to:

- * Damage caused to billiard table, game table, or bar placed in non-approved locations (outdoors, garages, patios, or any other non-climate controlled environment).
- * Use of billiard table, game table, and / or bar for other than the designed purpose.
- * Damage caused by harsh cleaning agents.

This Limited Warranty applies only to billiard tables, game tables, and bars normally used for personal, family, or household purposes.

Manufacturer Warranty

All Camelot billiard tables, game tables, and bars are manufactured with the highest quality appliances and are warranted to be free from defects in material and workmanship at the time of delivery. The appliance warranty is extended through the manufacturer of the product including, but not limited to: televisions, stereos, DVD players, etc.

Warranty Performance

In the event of a malfunction or defect covered under the terms of this warranty, a factory authorized service agent of C.A.I. will perform the necessary repairs. To obtain service, contact the selling dealer. In the event the consumer is unable to obtain satisfactory customer service from the selling dealer or service agent, written notification must be given to the C.A.I. Customer Relations Department within 10 days of the reported failure. There will be no charge for parts or labor on a covered item. However, the service agent may assess a reasonable travel or mileage charge per service call. If C.A.I. determines that repair of a covered item is not feasible, C.A.I. reserves the right to replace the defective merchandise with merchandise equal in value to the original purchase price. In the event of any warranty replacement, all removal, replacement, installation and shipping costs are the responsibility of the product owner.

Legal Remedies

This limited warranty gives you specific legal rights. You may have other rights, which may vary from state to state.

Customer Service

For customer service, contact the authorized selling dealer immediately. If you need additional information or assistance, please contact the C.A.I. Customer Relations Department at 1462 E. Ninth St., Pomona CA 91766 or call (800) 225-7727.

Disclaimers

C.A.I. shall not be liable for loss of use of the spa or other incidental or consequential costs, expense or damages, which may include but are not limited to removal of permanent deck or other custom fixtures or the necessity for crane removal. Any implied warranty shall have duration equal of the applicable warranty stated above. Under no circumstances shall C.A.I. or any of its representatives be held liable for injury to any person or damage to any property, however arising.



**Please make a record of the following.
It will be valuable if service is required.**

Cal Spa Model:

Cal Spa Serial Number:

Date Purchased:

Date Installed:

Cal Spa Dealer's Phone Number:

Cal Spa Dealer's Address:

C.A.I. Customer Service Department
1462 East Ninth Street
Pomona, CA 91766

Toll Free: 1-800-CAL-SPAS
Fax: 1-909-629-3890

www.calspas.com