



# 2006 Owner's Manual

## Saunas

Manufactured after December 1, 2005  
© 2006 California Acrylic Industries, Inc.

[www.calspas.com](http://www.calspas.com)



Due to our continuous improvement programs, all models, operation, and/or specifications are subject to change without prior notice.





## **CONTACT INFORMATION**

For customer service, please contact your authorized dealer immediately. If you need additional information and/or assistance, please contact:

C.A.I. Customer Service Department  
1462 East Ninth Street  
Pomona, CA 91766

Toll Free: 1-800-CAL-SPAS  
Fax: 1-909-629-3890

**[www.calspas.com](http://www.calspas.com)**

Copyright 2004, 2005, 2006 California Acrylic Industries, Inc. All rights reserved.  
Duplication without written consent is strictly prohibited.

Cal Spas™ and Cal Heat™ are registered trademarks.

Due to continuous improvement programs, all models, operation, and/or specifications are subject to change without prior notice.

---

# Table of Contents

## **Read This First!**

*Safety Instructions* .....1

## **Preparing for Your New Sauna**

*Planning the Best Location For Your Sauna* .....2  
*Electrical Set-Up Before Delivery of Your Sauna* .....3  
*Preparing a Good Foundation* .....4

## **Assembling Your Sauna**

*CU-100, CU-300, and CU-500 Assembly Instructions* .....7  
*CU-200 and CU-700 Assembly Instructions* .....10  
*CU-400 Assembly Instructions* .....12  
*CU-600 Assembly Instructions* .....15  
*CU-800 Assembly Instructions* .....18  
*HO-100 Through HO-500 Series Assembly Instructions* .....21  
*HO-600 Series Assembly Instructions* .....23  
*IR-100 Assembly* .....26  
*IR-200 Infrared Assembly Instructions* .....29  
*IR-103 and IR-104 Assembly* .....32  
*OD-200 Assembly* .....44

## **Operating Your Sauna**

*Heater Operation* .....48  
*IR-100 and IR-200 Infrared Models Control Touch Pad* .....50  
*IR-103 and IR-104 Sauna Use and Operation* .....52

## **Using the Marine Grade Audio System**

*Using the Clarion Stereo* .....54  
*Installation* .....56

## **Cleaning and Maintaining Your Sauna**

## **Appendix**

*Troubleshooting Guide* .....59  
*Accessories* .....61  
*Replacement Parts* .....63  
*Warranty Information* .....72

This page intentionally left blank.

---

# Read This First!

## Safety Instructions

Carefully read and follow all safety instructions.

1. When installing and using this electrical equipment, basic safety precautions should always be followed.
2. To reduce the risk of injury, do not allow children to use this equipment unless they are supervised at all times.
3. Do not use this equipment immediately following strenuous exercise. Wait at least 30 minutes to allow the body to cool down completely.
4. Excessive temperatures have a high potential for causing damage during the early months of pregnancy. Pregnant, or possibly pregnant, women should contact their physician prior to using this equipment.
5. The use of alcohol, drugs, or medications prior to or during the session may lead to unconsciousness.
6. Persons suffering from obesity, a medical history of heart disease, low or high blood pressure, circulatory system problems, or diabetes should consult a physician prior to using this product.
7. Persons using medications should consult a physician before using the equipment since some medications may induce drowsiness, while others may affect heart rate, blood pressure, and circulation.
8. Exercise safety when entering and exiting.
9. Never sleep inside while in the unit is in full operation.
10. Do not use any type of cleaning agents on the interior of this product.
11. Do not stack or store any objects on top of or inside the equipment.
12. If the power supply cord becomes damaged, it must be immediately replaced by a C.A.I. certified technician or licensed electrician to avoid hazard.
13. Do not use an outdoor unit during an electrical storm., as there is a remote chance of shock.
14. Altering or tampering of any electrical connections on the power supply will void the manufacturer's warranty.
15. Dry your hands before handling electrical controls. Never unplug the power cord or adjust the controls with wet hands or when you have wet bare feet. A danger of electrical shock exists.
16. Do not attempt any repair without consulting the manufacturer first. Unauthorized repair attempts will void the manufacturer's warranty.
17. We strongly recommend the use of a ground fault circuit interrupter (GFCI) device in any potentially wet locations, or the manufacturer's warranty is void..
18. We recommend turning on the equipment for the maximum allowable time period and temperature in order to burn off any factory dust prior to using the equipment for the first time.

## Hyperthermia Danger

Prolonged exposure to hot air/water can induce hyperthermia. Hyperthermia occurs when the internal temperature of the body reaches a level 3-6 degrees above the normal body temperature of 37°C (98.6°F) While hyperthermia has many health benefits, it is important not to allow your body's core temperature to rise above 103°F. Symptoms of excessive hyperthermia include dizziness, lethargy, drowsiness and fainting. The effects of excessive hyperthermia may include failure to perceive heat, failure to recognize the need to exit, unawareness of impending hazard, damage to pregnant women, physical inability to exit the unit and unconsciousness.

Following these procedures will make your sauna sessions pleasurable.

# Preparing for Your New Sauna

Most cities and counties require permits for exterior construction and electrical circuits. In addition, some communities have codes requiring residential barriers such as fencing and/or self-closing gates on property to prevent unsupervised access to the property by children under the age of 5. Your dealer can provide information on which permits may be required and how to obtain them prior to the delivery of your equipment.

## **Planning the Best Location For Your Sauna**

Here are some of the things that you will need to consider when determining where to place your new sauna.

### **Safety First**

- Do not place your sauna within 10' (3m) of overhead power lines.
- Make sure it is positioned so that access to the equipment compartment and all side panels will not be blocked. Be certain that your installation will meet all city and local safety codes and requirements.

### **Consider How You Will Use Your Sauna**

How you intend to use your sauna will help you determine where you should position it. For example, will you use your sauna for recreational or therapeutic purposes? If your sauna is mainly used for family recreation, be sure to leave plenty of room around it for activity. If you will use it for relaxation and therapy, you'll probably want to create a specific mood around it.

**NOTE: Only the OD-100 and the OD-200 models are meant for an outdoor application. The Home and Custom series are meant for indoor use ONLY.** The outside of these models have not been treated for outdoor use. Extreme hot/cold conditions can cause the wood to blister, split and warp. This will void the warranty of these particular models.

### **Plan for Your Environment**

If you live in a climate with snowfall in the winter, place the sauna near a house entry. By doing this, you will have a place to change clothes and not be uncomfortable. This would be a convenient way to go for the location of your sauna outdoors.

Indoor installations require adequate ventilation. When the sauna is in use, considerable amounts of heat and dryness are produced. This heat and dryness can damage walls and ceiling surfaces over a period of time. Special paint is available to resist this damage.

### **Consider Your Privacy**

In a cold- weather climate, bare trees won't provide much privacy. Think of your sauna's surroundings during all seasons to determine your best privacy options. Consider the view of your neighbors as well, when you plan the location of your sauna.

---

## Provide A View With Your Sauna

Think about the direction you will be facing when sitting in your sauna. Do you have a special landscaped area in your yard that you find enjoyable? Perhaps there is an area that catches a soothing breeze during the day and lovely sunset in the evening. Consider these things when you plan your location.

## Keep Your Sauna Clean

Prevent dirt and contaminants from being tracked into your sauna by using a foot mat at the entrance where the occupants can clean their feet before entering your sauna.

## Allow For Service Access

Many people choose to install a decorative structure around their sauna. If you are installing your sauna with any type of structure on the outside (OD-100 and OD-200 models only), remember to allow access for service. It is always best to design special installations so that the sauna can still be moved, or lifted off the ground.

## Electrical Set-Up Before Delivery of Your Sauna

**IMPORTANT::** When installed in the United States, the electrical wiring of this sauna must meet the requirements of the National Electric Code (NEC) and any applicable state or local codes. The electrical circuit must be installed by an electrical contractor and approved by a local building/ electrical inspector.

1. All 240V saunas must be permanently connected (hard wired) to the power supply. 120V saunas may use a G.F.C.I. cord, plugged into a dedicated grounded outlet. Supplying power to a sauna which is not in accordance with these instructions will void both the independent testing agency's listing and the manufacturer's warranty.
2. The power supplied to the sauna must be on a dedicated circuit with no other appliances or lights sharing the power.
3. To determine the current, voltage, and wire size required for the sauna configuration to be connected, refer to the following:
  - Wire size must be appropriate per NEC and/or local codes.
  - Wire size is determined by length of run from breaker box to sauna and maximum current draw.
  - We recommend copper wire with THHN insulation.
  - All wiring must be copper to ensure adequate connections. Do not use aluminum wire.
  - When using wire larger than #6 (10mm<sup>2</sup>), add a junction box near the spa and reduce to short lengths of #6 (10mm<sup>2</sup>) wire between the junction box and the sauna.
4. The electrical supply for the sauna must include a suitably rated switch or circuit breaker to open all ungrounded supply conductors to comply with Section 422-20 of the National Electric Code, NSI/NFPA 70. The disconnection point must be readily accessible to the sauna's occupant. Check with local municipalities for additional code requirements.
5. The electrical circuit for the sauna must include a suitable ground fault circuit interrupter (GFCI) as required by NEC Article 680-42.

---

## **ELECTRICAL INSTALLATION OF YOUR SAUNA AFTER DELIVERY**

### **Important Safety Notice For All Models**

1. Access the sauna's power terminal strip.

NOTE: For the IR-100 Infrared and IR-200 Infrared models, locate the junction box (located underneath the bench; this can be accessed by removing the front skirt of the bench). Make sure that all the connections are seated securely in the junction box.

2. Plug the unit in.

### **Preparing a Good Foundation**

Your sauna needs a solid and level foundation. The area that it sits on must be able to support the weight of the sauna and the occupants who use it. If the foundation is inadequate, it may shift or settle after the sauna is in place, causing stress that could alter the structures seal.

NOTE: Damage caused by inadequate or improper foundation support is not covered by the warranty. It is the responsibility of the sauna owner to provide a proper foundation for the sauna.

Place the sauna on an elevated foundation (preferably a 3" concrete slab). If you are installing the sauna indoors, pay close attention to the flooring beneath it. Choose flooring that won't be spoiled or stained.

Below are the recommended foundation sizes for your sauna (outdoor models only)

<b><u>Sauna</u></b>	<b><u>Actual Size</u></b>	<b><u>Recommended Size</u></b>
OD-100 Sauna	4' x 6'	5.5' x 7.5'
OD-200 Sauna	5' x 8'	6.5' x 9.5'

If you are installing your sauna on an elevated wood deck or other structure, it is highly recommended that you consult a structural engineer or contractor to ensure the structure will support the weight.

We strongly recommend that a qualified, licensed contractor prepare the foundation for your sauna.

### **Your Cal Heat Retailer Can Help You With Foundation And More**

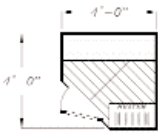
Your retailer has a wealth of information and experience about how to get the most out of your sauna. Your sauna retailer also has a full line of accessories that are engineered to complement your sauna.

### **Check the Dimensions of Your Sauna**

The Size Specifications chart for your sauna is listed below. Compare the dimensions to the width of gates, sidewalks, doorways, hallways, etc. along the delivery route that will be used when building your sauna in the desired location. It may be necessary for you to remove some items in order to provide an unobstructed passageway to the installation location.

# Size Specifications

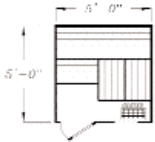
Model	Depth	Width	Height
IR-100 Infrared	4'	5'	6'
IR-200 Infrared	4'	5'	6'
OD-100 Outdoor	4'	6'	7'
OD-200 Outdoor	5'	8'	7'



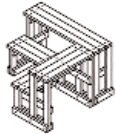
FLOOR PLAN  
CU100



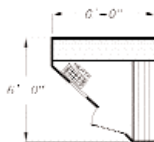
BENCH  
CU100



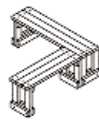
FLOOR PLAN  
CU300



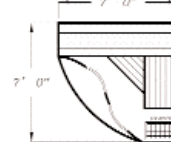
BENCH  
CU300



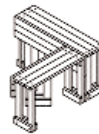
FLOOR PLAN  
CU300



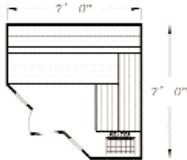
BENCH  
CU300



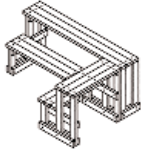
FLOOR PLAN  
CU100



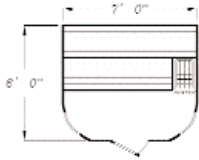
BENCH  
CU100



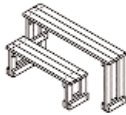
FLOOR PLAN  
CU500



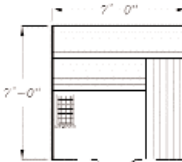
BENCH  
CU500



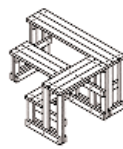
FLOOR PLAN  
CU600



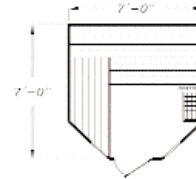
BENCH  
CU600



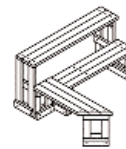
FLOOR PLAN  
CU700



BENCH  
CU700



FLOOR PLAN  
CU800



BENCH  
CU800

# Assembling Your Sauna

Cal Heat has eight models in the Custom Series to choose from, depending on your particular need. This manual provides assembly instructions for all eight Custom Series saunas.

Remove the packaging panel marked “OPEN THIS END” first to access the contents. Once the panel is removed, unscrew the cross-member support from inside the crate. Remove the contents from the crate and assemble in a place with adequate room. Please refer to the Appendix section for the parts list and verify that your sauna model is complete.

## Tool List

Portable Drill  
Screw Driver  
Rubber Mallet

## Estimated Time for Completion

2 hours 30 minutes

# CU-100, CU-300, and CU-500 Assembly Instructions

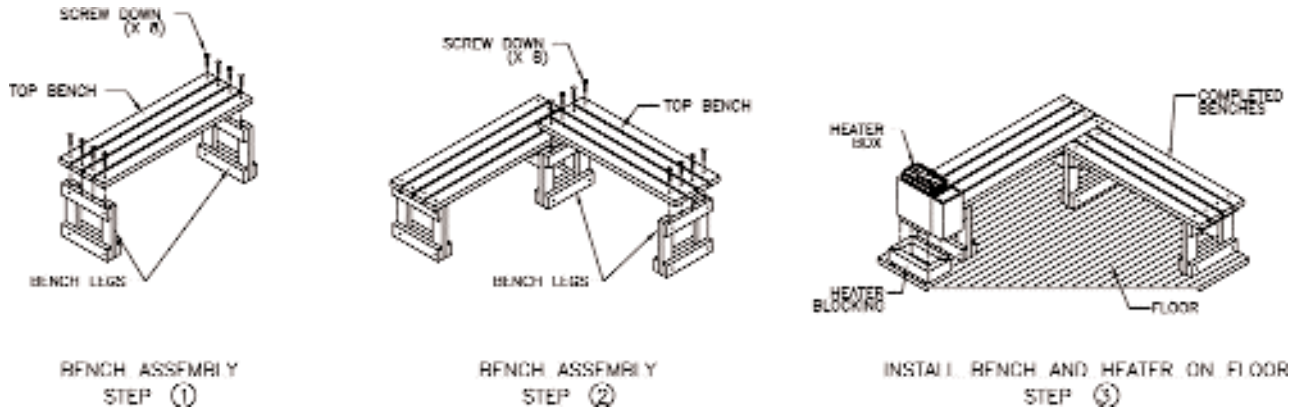


Figure 1. Bench assembly and heater installation

# Assembling Your Sauna

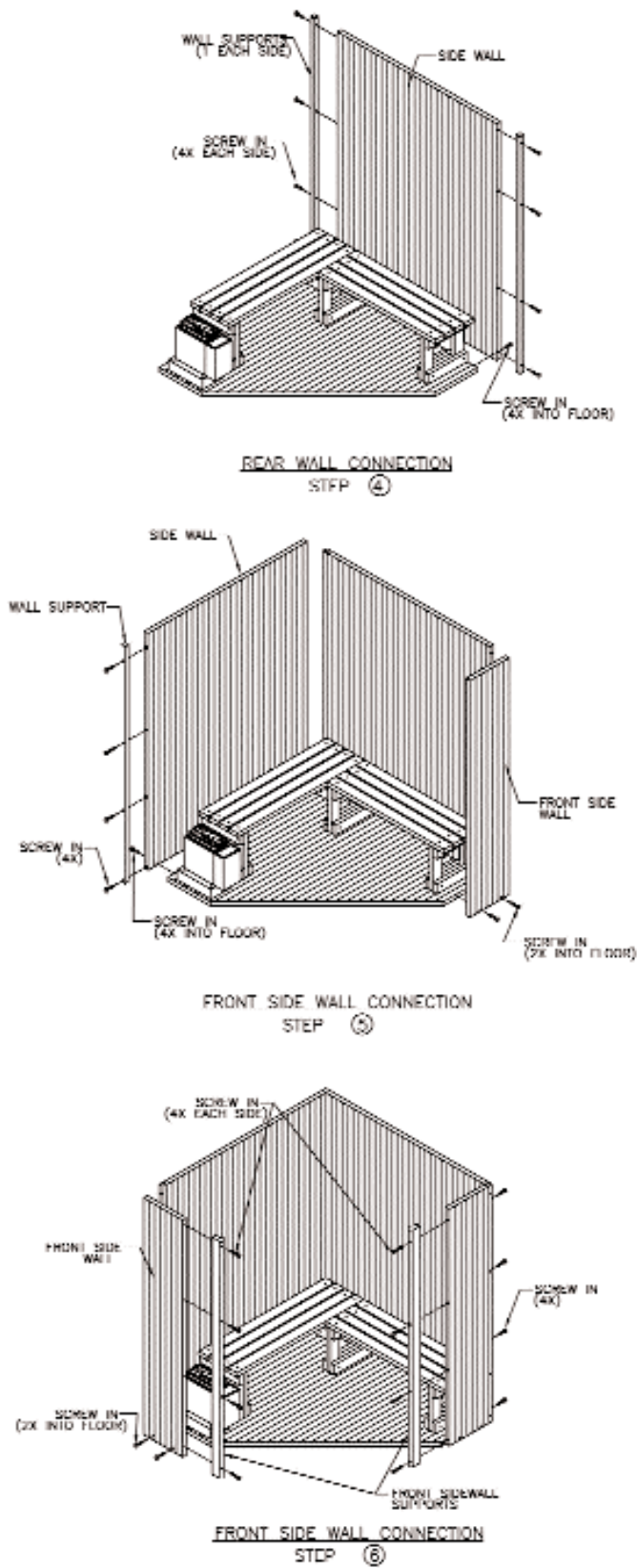


Figure 2. Wall assembly

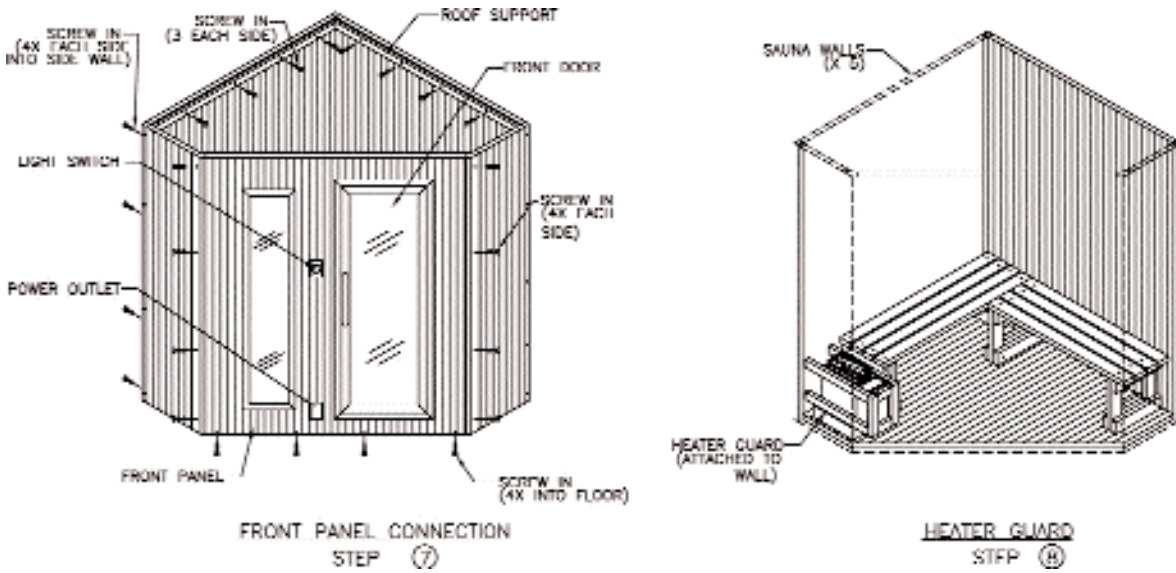


Figure 3. Front panel and heater fence installation

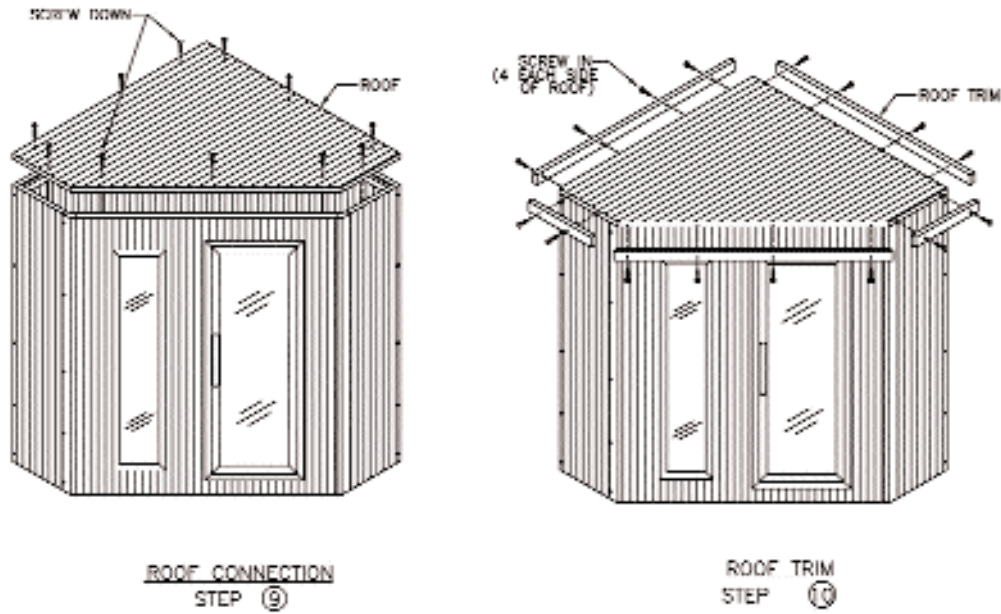
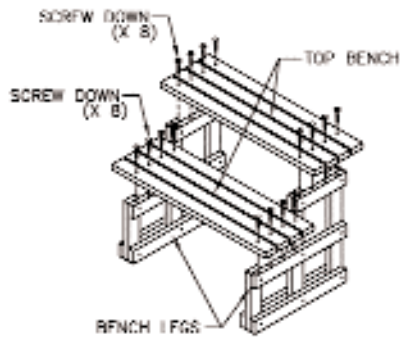
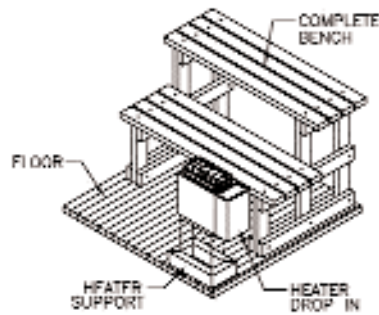


Figure 4. Roof and roof trim assembly

# CU-200 and CU-700 Assembly Instructions

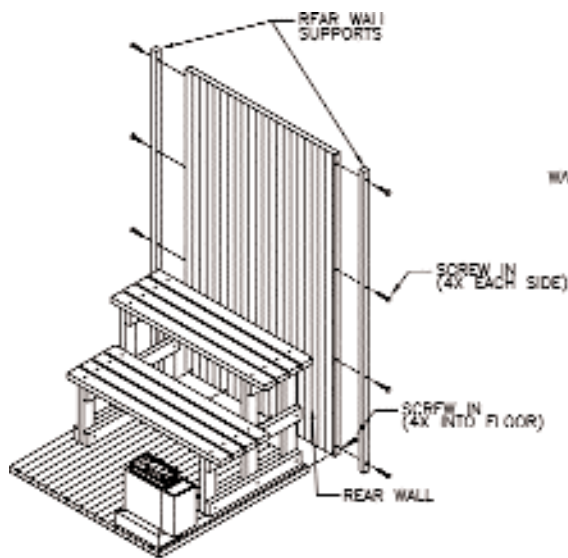


**BENCH ASSEMBLY**  
STEP ①

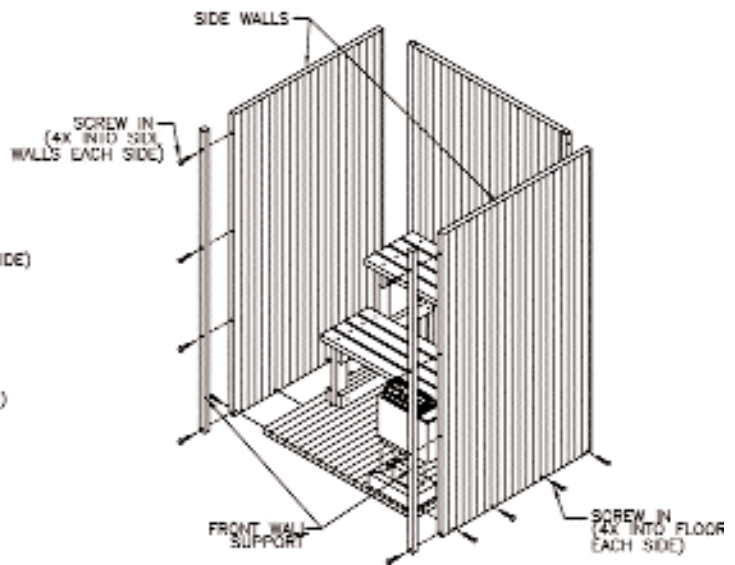


**INSTALL BENCH AND HEATER ON FLOOR**  
STEP ②

**Figure 1. Bench assembly and heater installation**



**REAR WALL CONNECTION**  
STEP ③



**SIDE WALL CONNECTIONS**  
STEP ④

**Figure 2. Wall assembly**

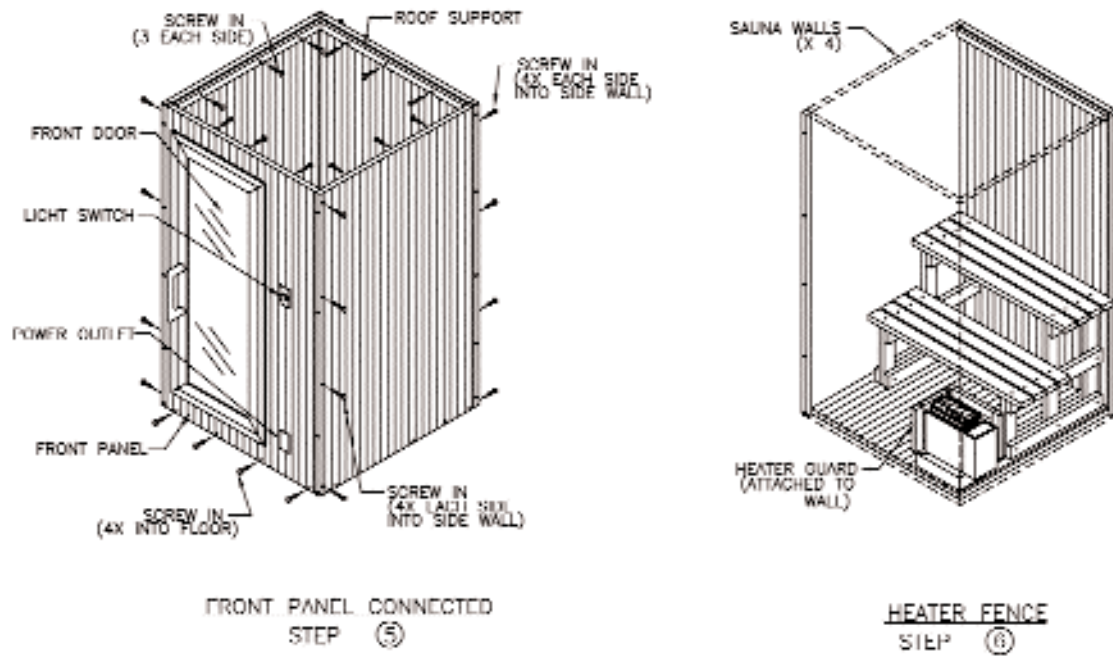


Figure 3. Front panel and heater fence installation

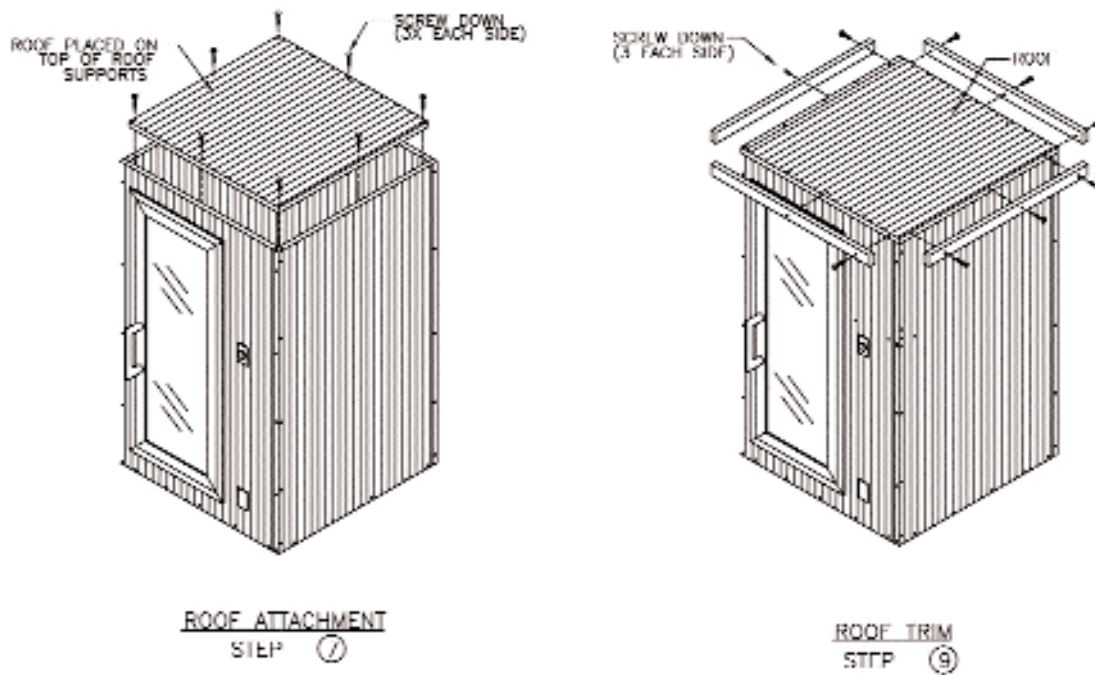


Figure 4. Roof and roof trim assembly

# CU-400 Assembly Instructions

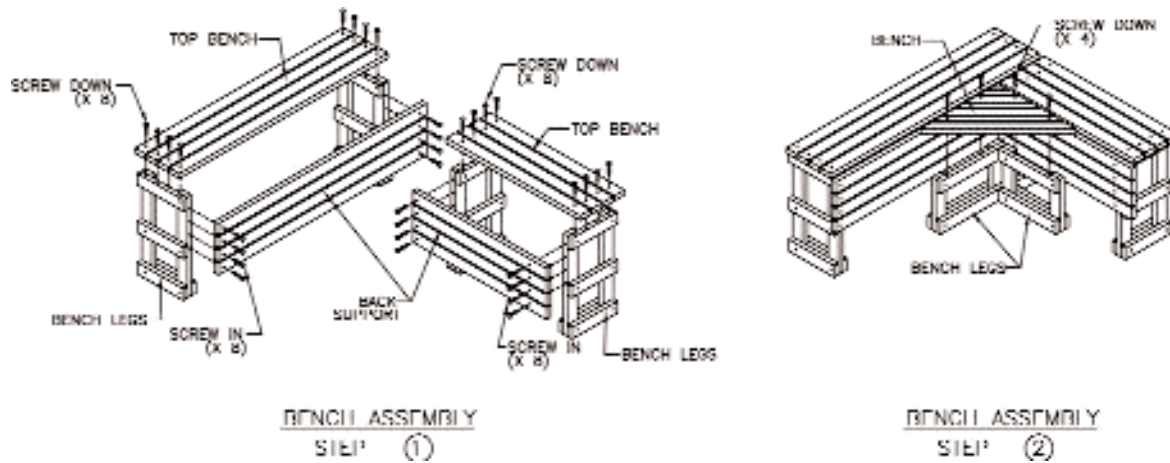


Figure 1. Bench assembly

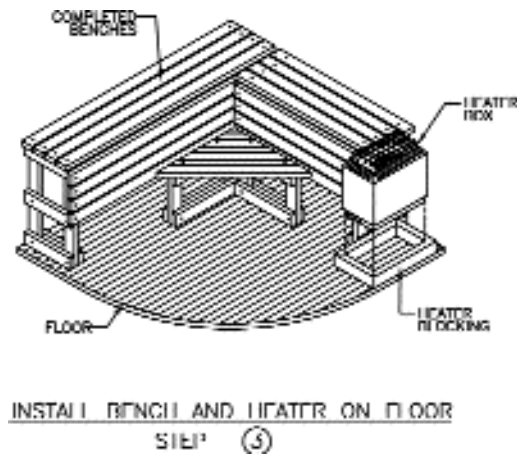


Figure 2. Bench and heater installation

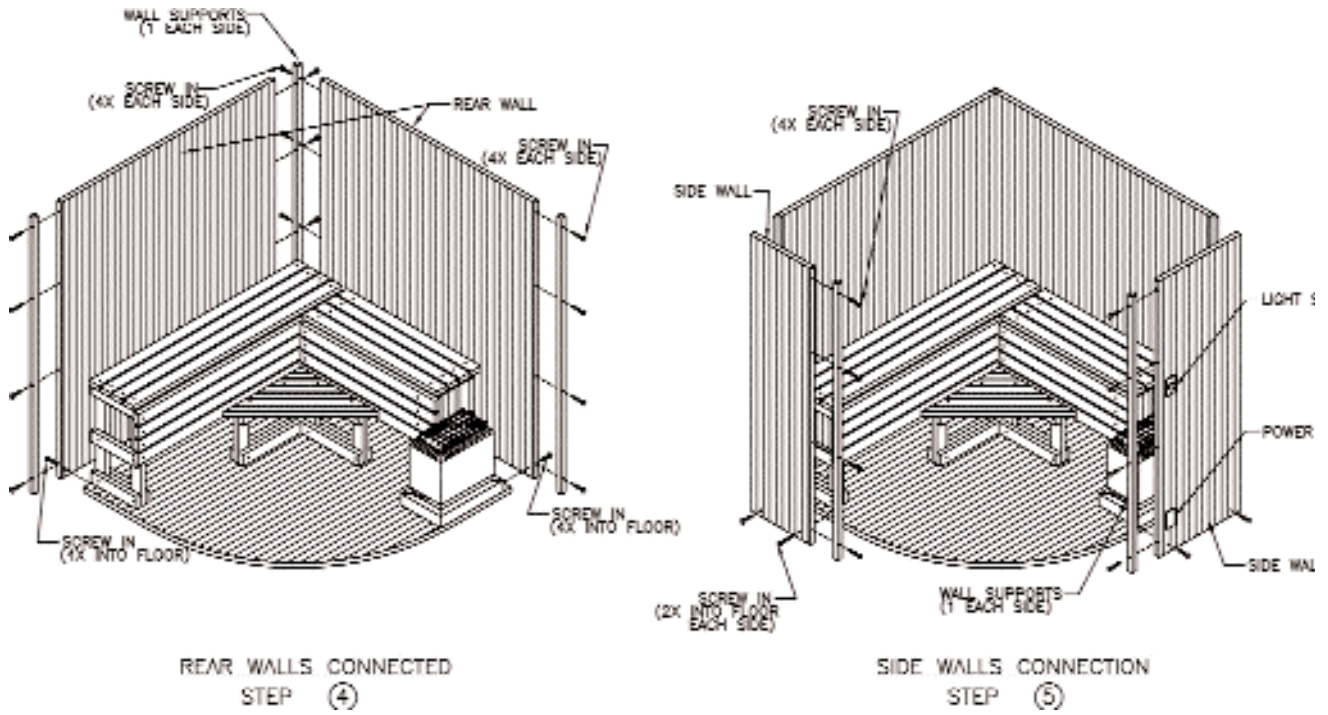


Figure 3. Wall assembly

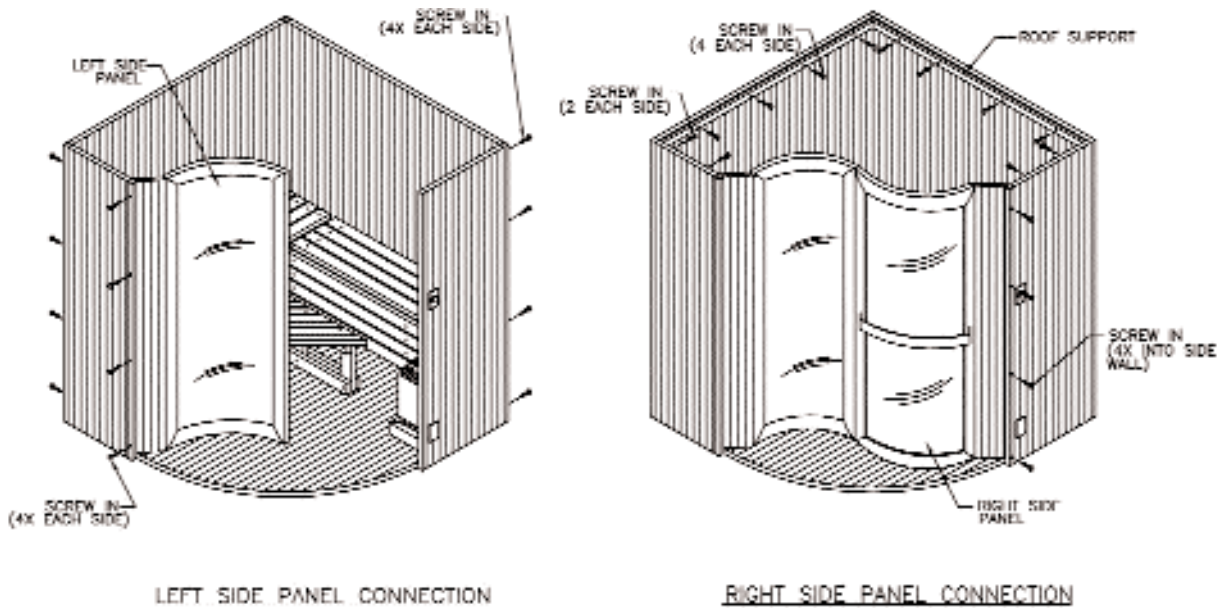


Figure 4. Front panel installation

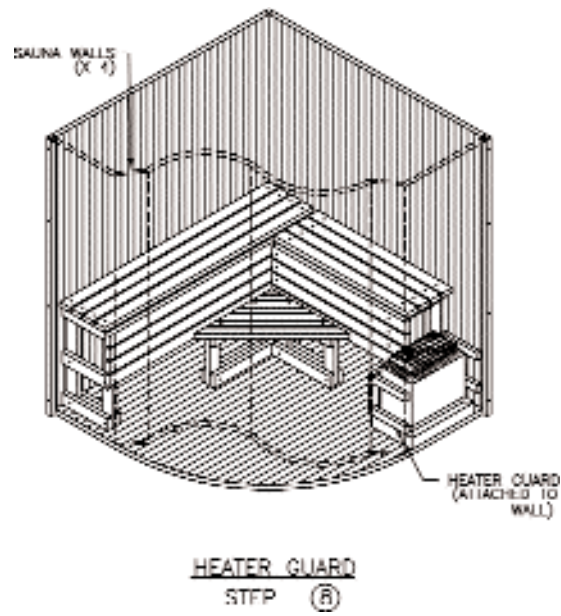


Figure 5. Heater guard installation

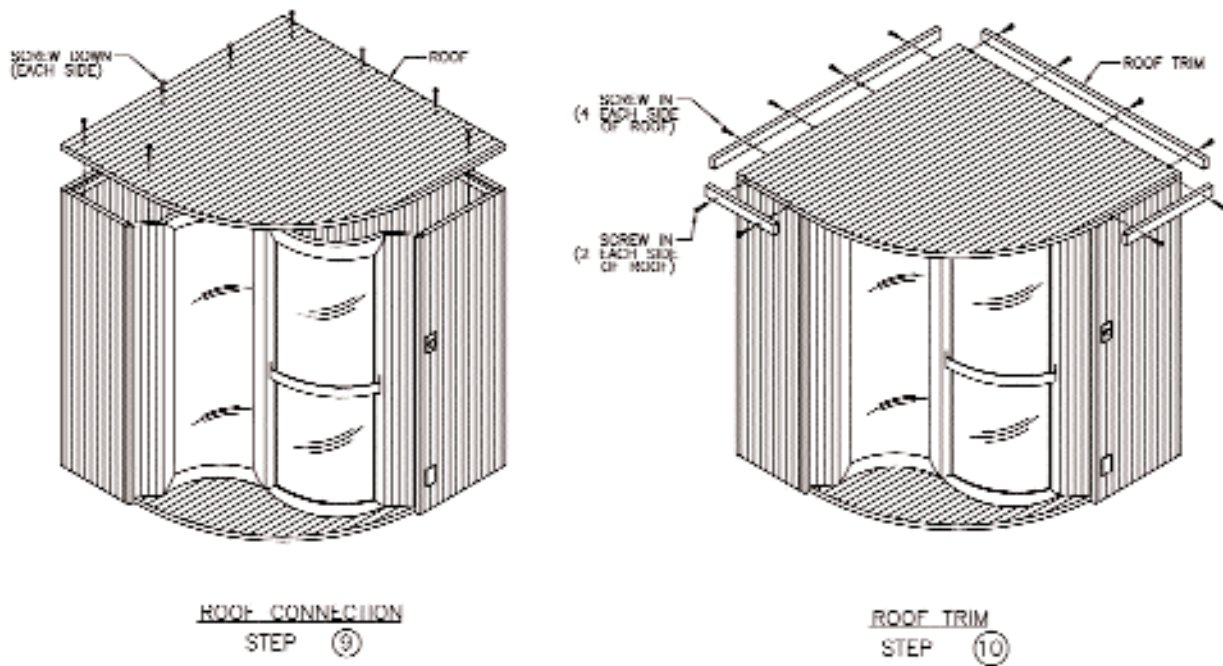


Figure 6. Heater guard installation

# CU-600 Assembly Instructions

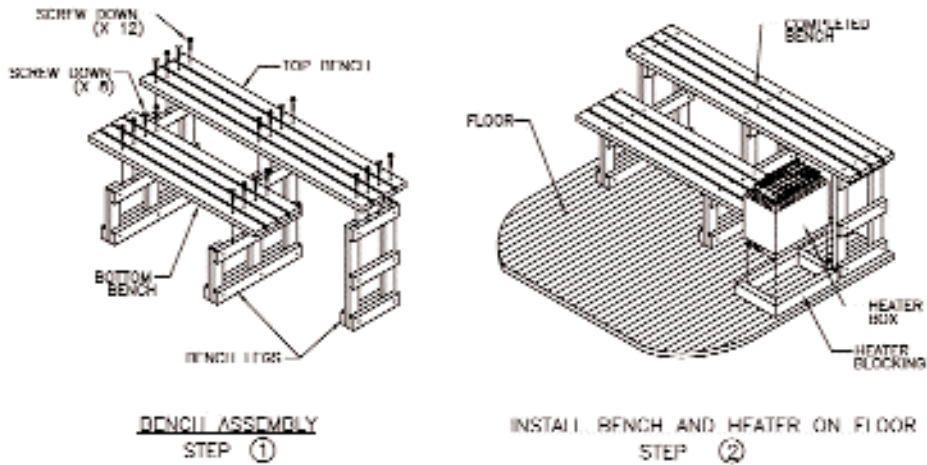


Figure 1. Bench assembly and heater installation

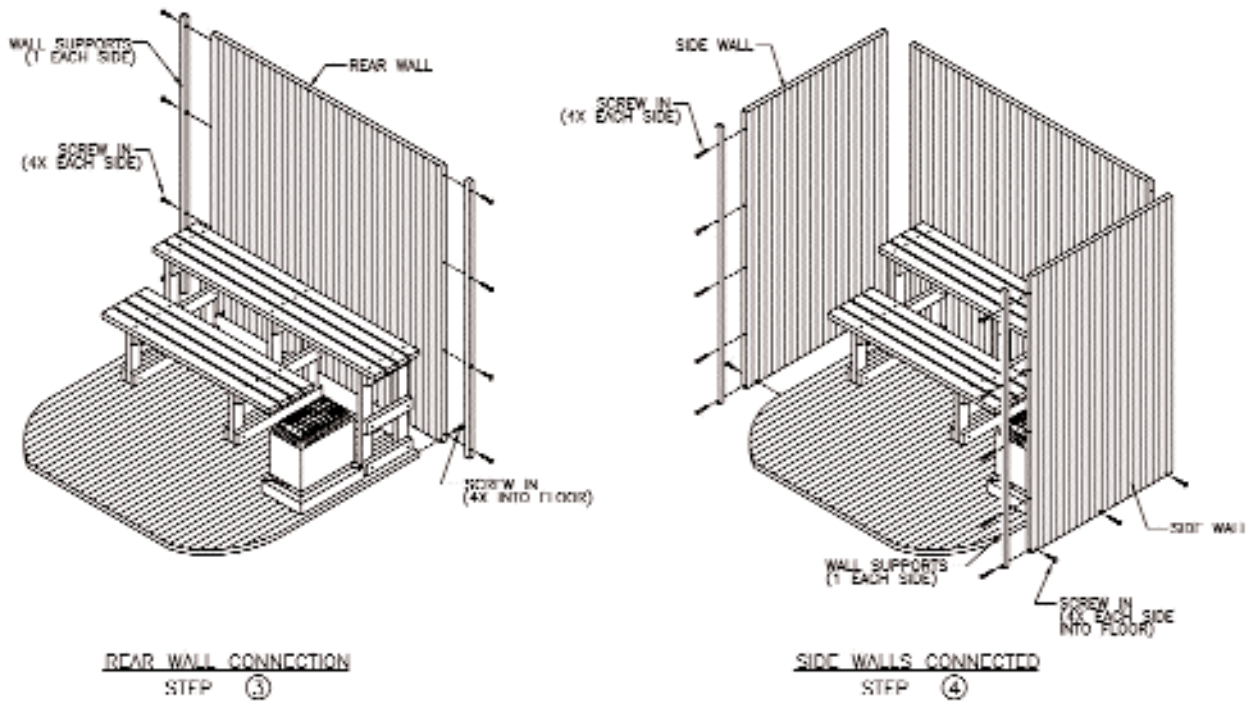


Figure 2. Wall assembly



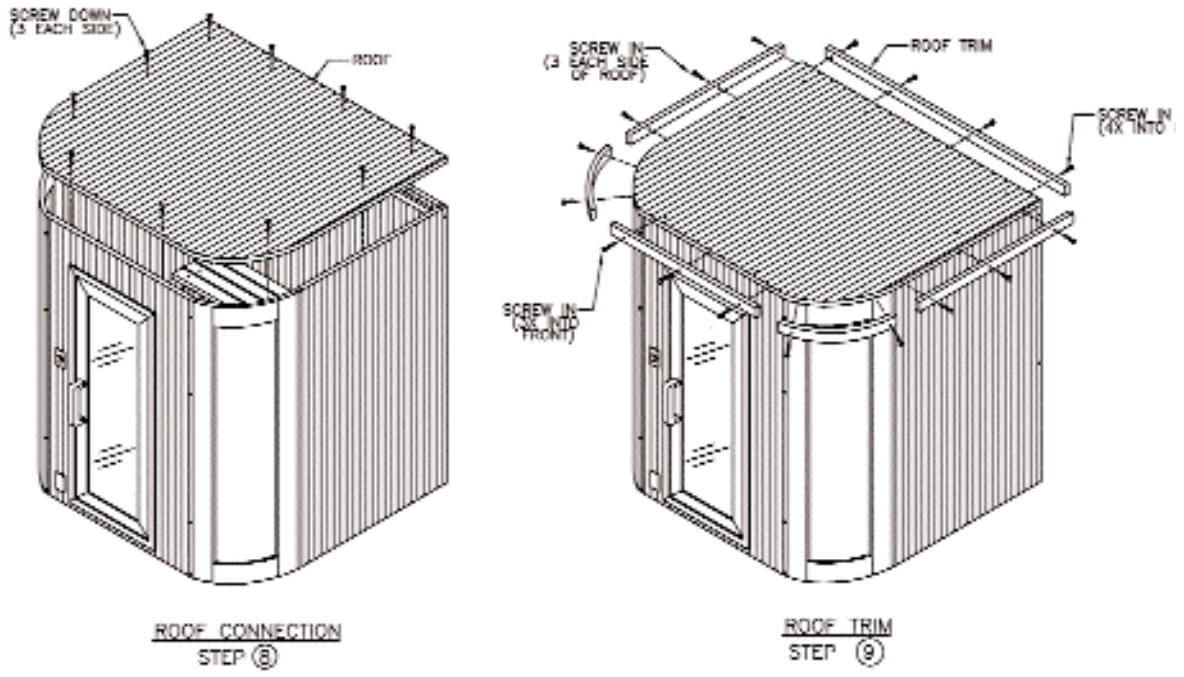


Figure 5. Roof installation

# CU-800 Assembly Instructions

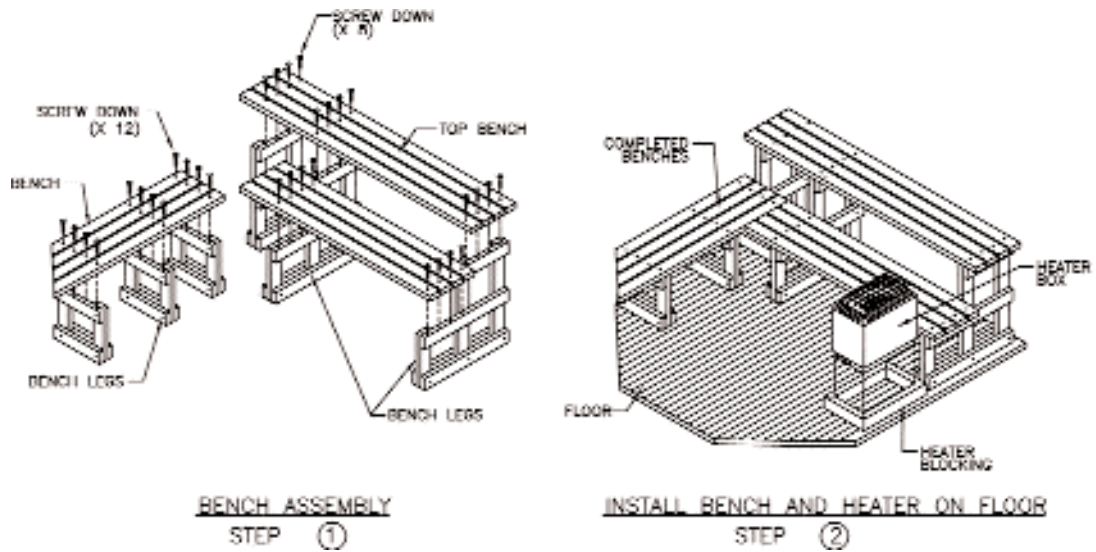


Figure 1. Bench assembly and heater installation

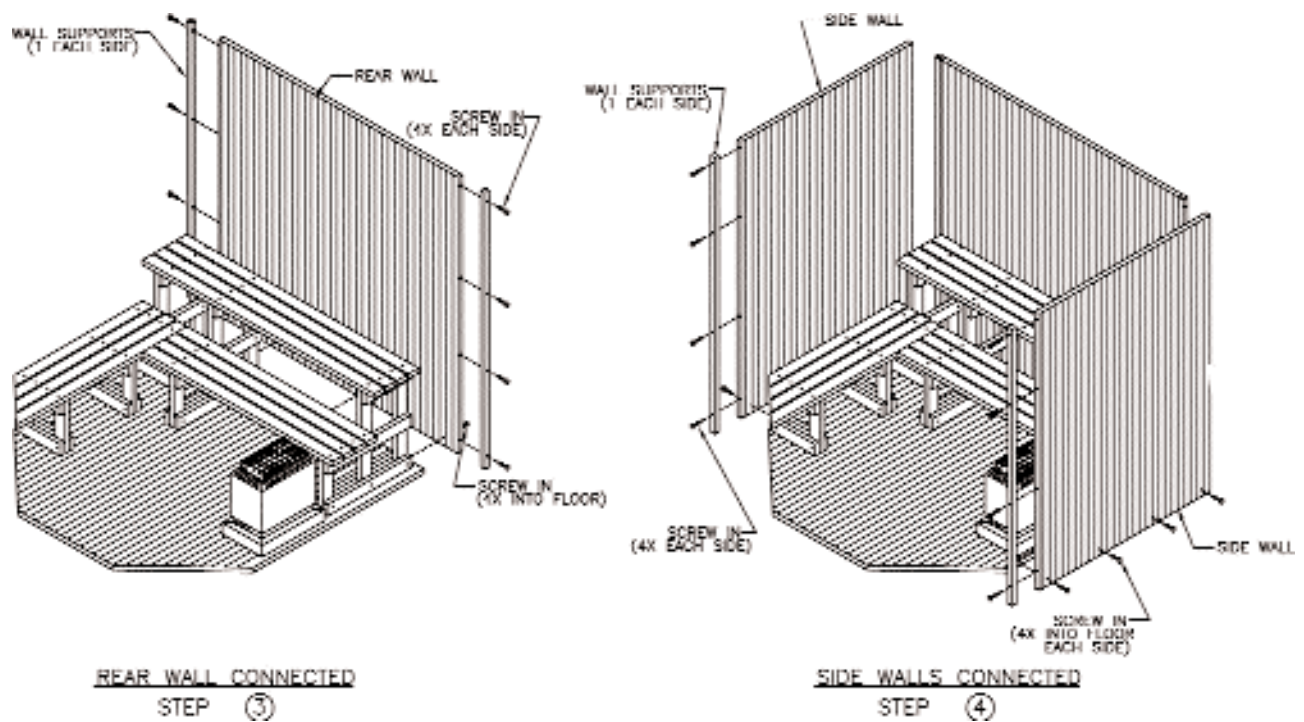


Figure 2. Wall assembly

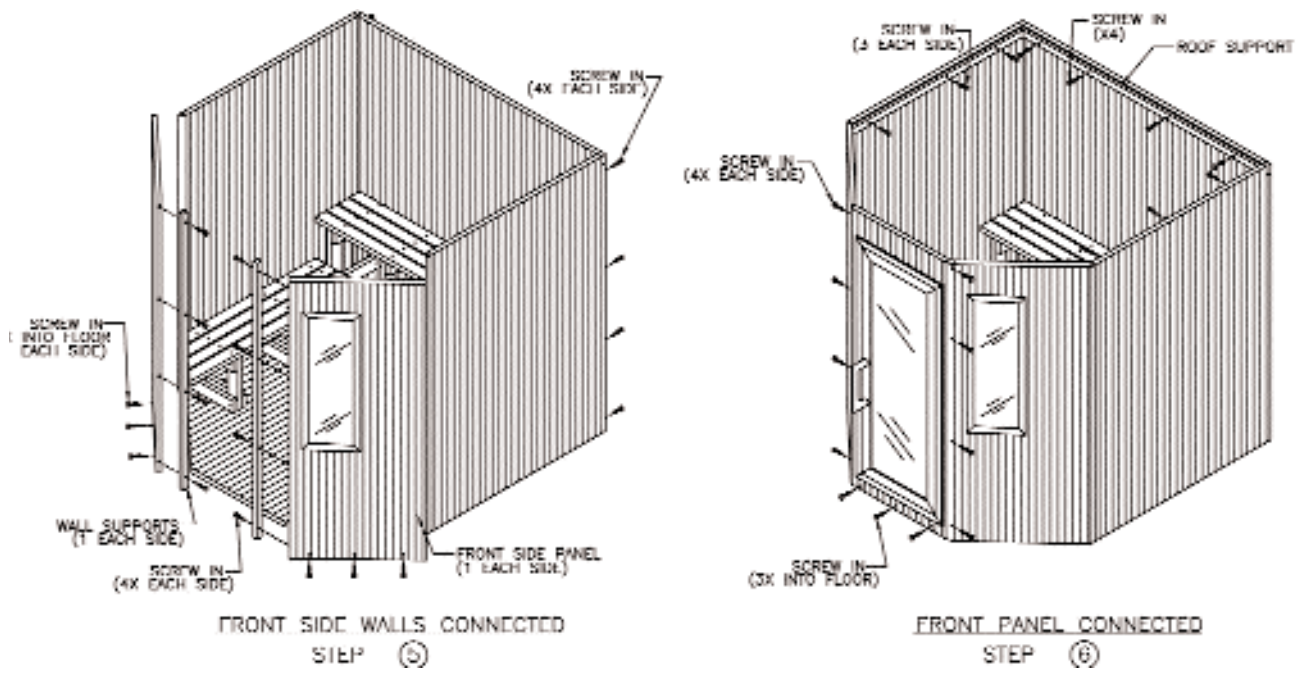


Figure 3. Panel installation

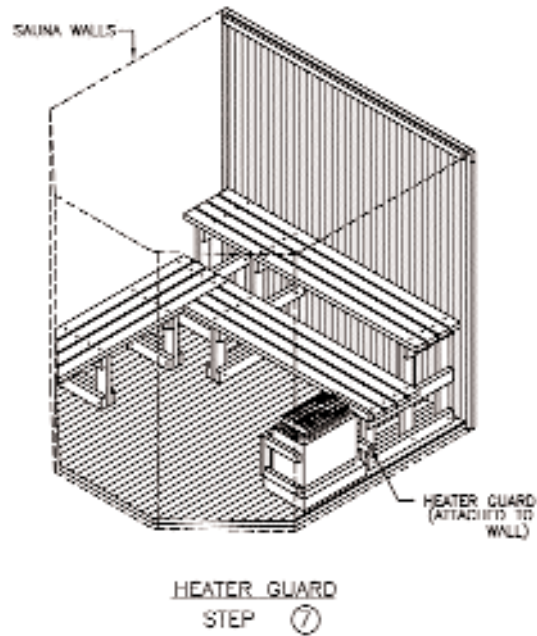
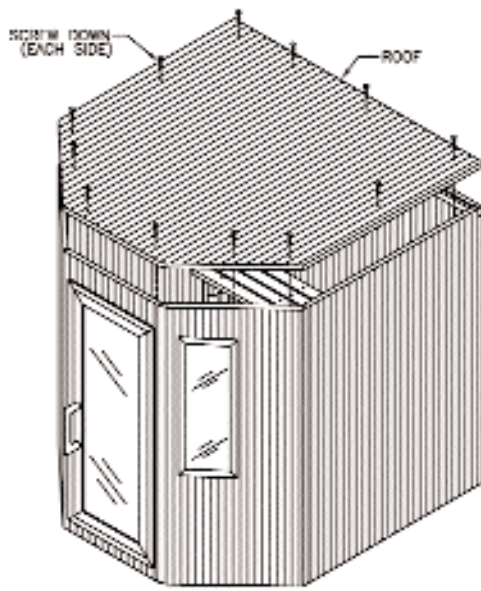
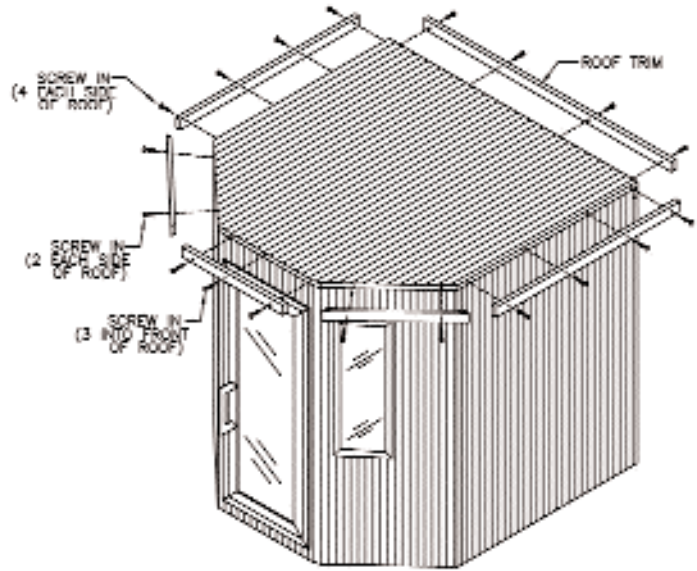


Figure 4. Heater guard attachment



ROOF CONNECTION  
STEP ⑧

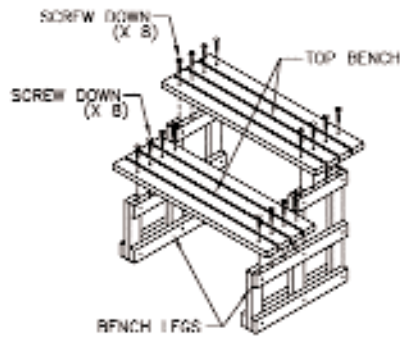


ROOF TRIM  
STEP ⑨

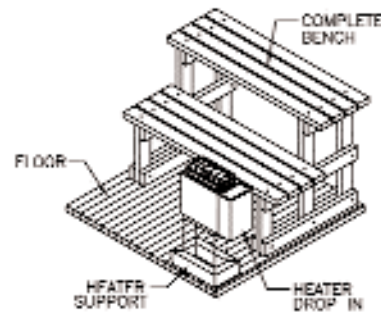
Figure 5. Roof installation

# HO-100 Through HO-500 Series Assembly Instructions

Applies to sauna all Home sauna series except HO-600.

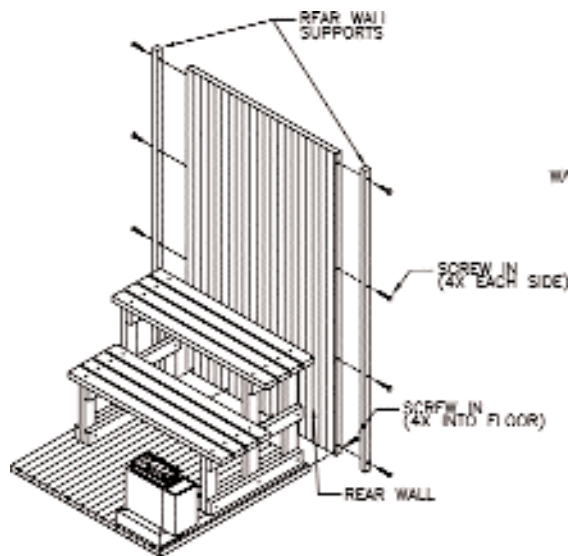


**BENCH ASSEMBLY**  
STEP ①

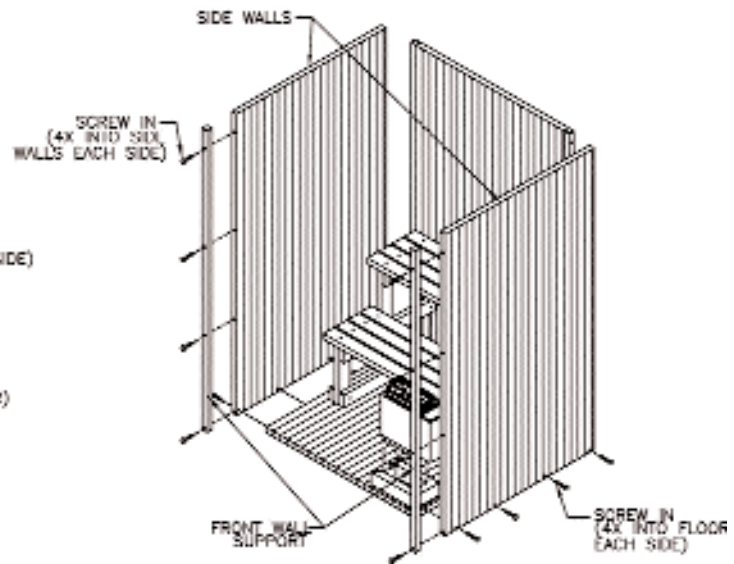


**INSTALL BENCH AND HEATER ON FLOOR**  
STEP ②

**Figure 1. Bench assembly and heater installation**



**REAR WALL CONNECTION**  
STEP ③



**SIDE WALL CONNECTIONS**  
STEP ④

**Figure 2. Wall assembly**

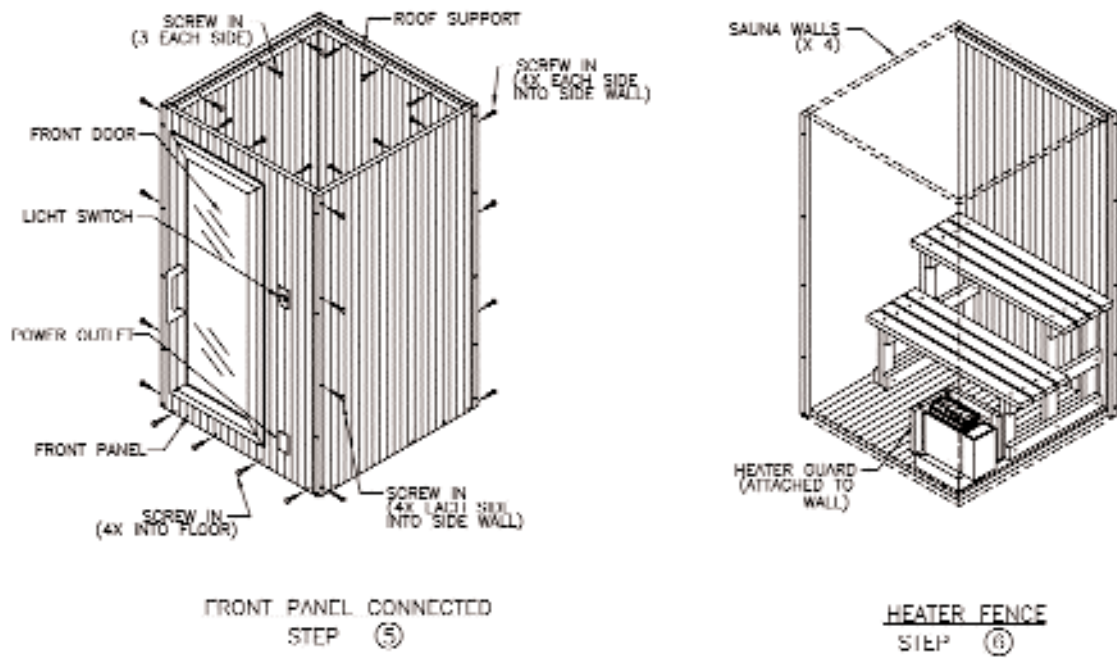


Figure 3. Front panel and heater fence installation

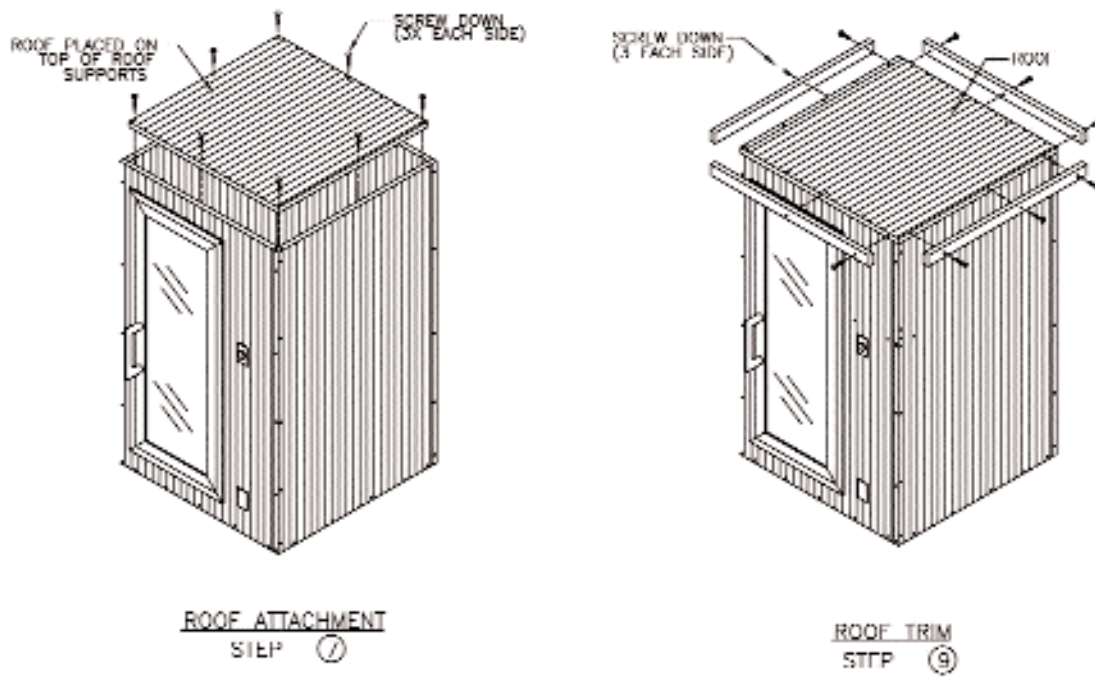
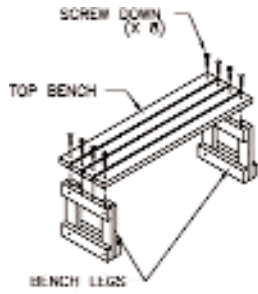
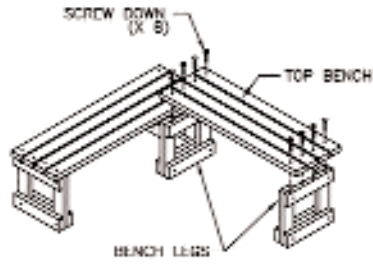


Figure 4. Roof and roof trim assembly

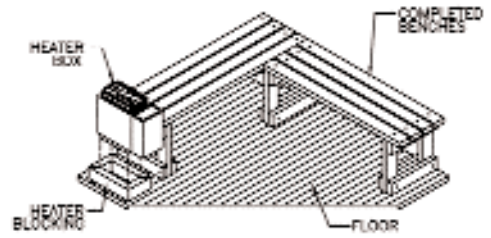
# HO-600 Series Assembly Instructions



BENCH ASSEMBLY  
STEP ①



BENCH ASSEMBLY  
STEP ②



INSTALL BENCH AND HEATER ON FLOOR  
STEP ③

Figure 1. Bench assembly and heater installation

# Assembling Your Sauna

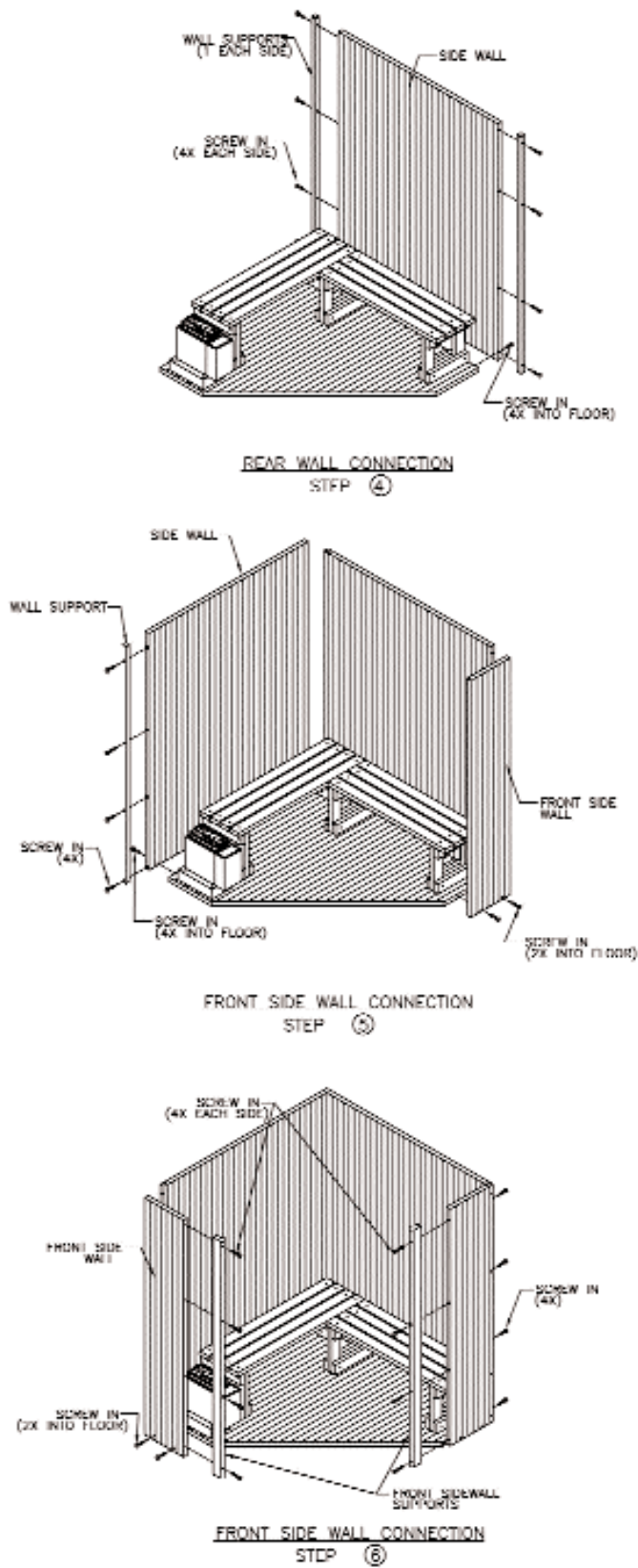


Figure 2. Wall assembly

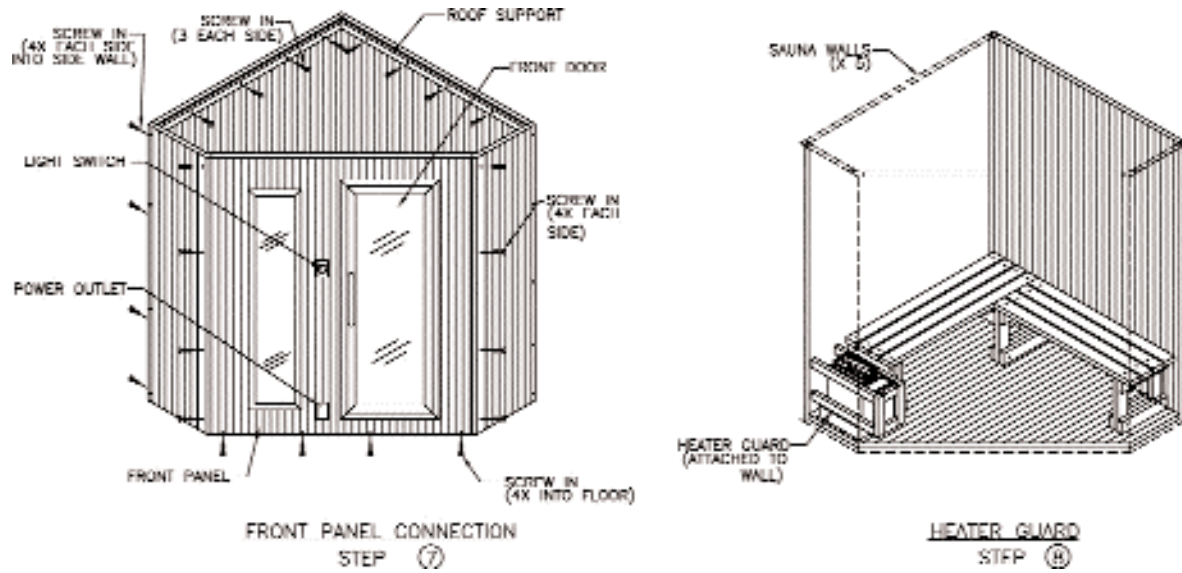


Figure 3. Front panel and heater fence installation

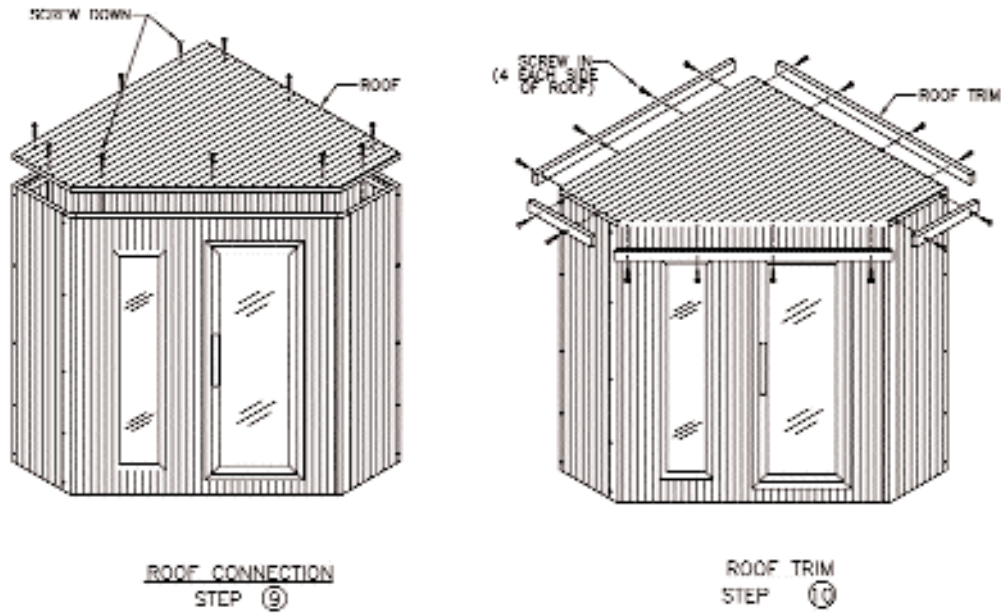
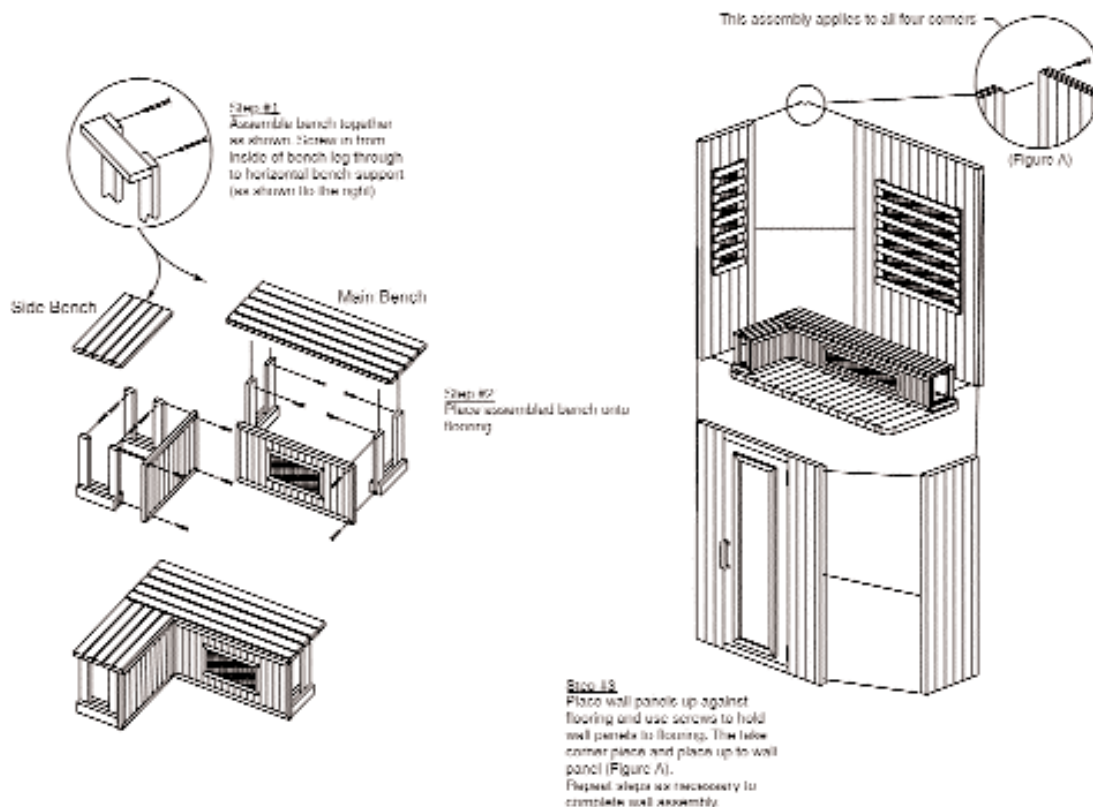


Figure 4. Roof and roof trim assembly

# IR-100 Assembly

The following steps refer to Figure 1.

1. Assemble the side bench. Screw the legs into the underside cross-support of the bench (A). After assembling the bench, place the bench on the wooden flooring of the sauna.
2. Assemble the main bench, following the steps in Step 1.
3. Attach the bench skirt to the side bench using the provided screws. There are two pre-drilled holes that are located near the edge of the bench. This is the front of the bench. After attaching the skirt, place two wooden plugs in the holes and gently tap into place.
4. The skirt for the main bench has the bench heater already attached to it. While looking at the bench heater, make sure the heater is to your right. Attach the bench heater skirt using the provided screws (see Step 3). Gently tap the wooden plugs into the holes.
5. Place the wall panels against the flooring and attach the panels (with the provided screws) to each corner. Repeat these steps, as necessary, to complete the wall assembly.



**Figure 1. IR-100 assembly**

6. Take six 3"-wide decorative strips and attach them to each corner. The two corners in the front of the sauna will have a strip on each side. The corners at the back of the sauna will one strip on each visible corner.
7. Place roof top panel onto the wall panel assembly. Place the 1" x 2" roof supports, inside the sauna, up against the roof top (Figure 2).
8. Place the outside trim piece(s) flush with top of the roof.
9. Plug in all seven male heater plugs into the corresponding female receptacles on the junctions box (Figure 3).

10. Plug the light fixture into the receptacle on the side of the junction box.
11. Plug the heat sensor into the rear of the junction box.
12. Plug the control panel touch pad into the rear of the junction box (this connector has a telephone-type plug).

**NOTE:** It is advised that all electrical connections be made by a licensed electrician. Some sauna models are 220V. Check with your dealer to make sure what your sauna is.

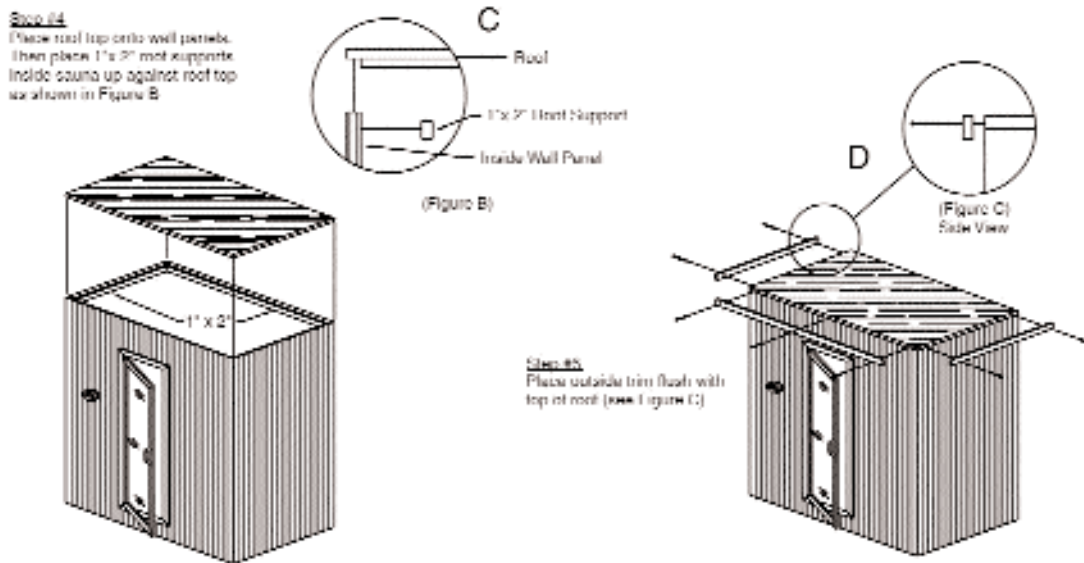


Figure 2. IR-100 assembly

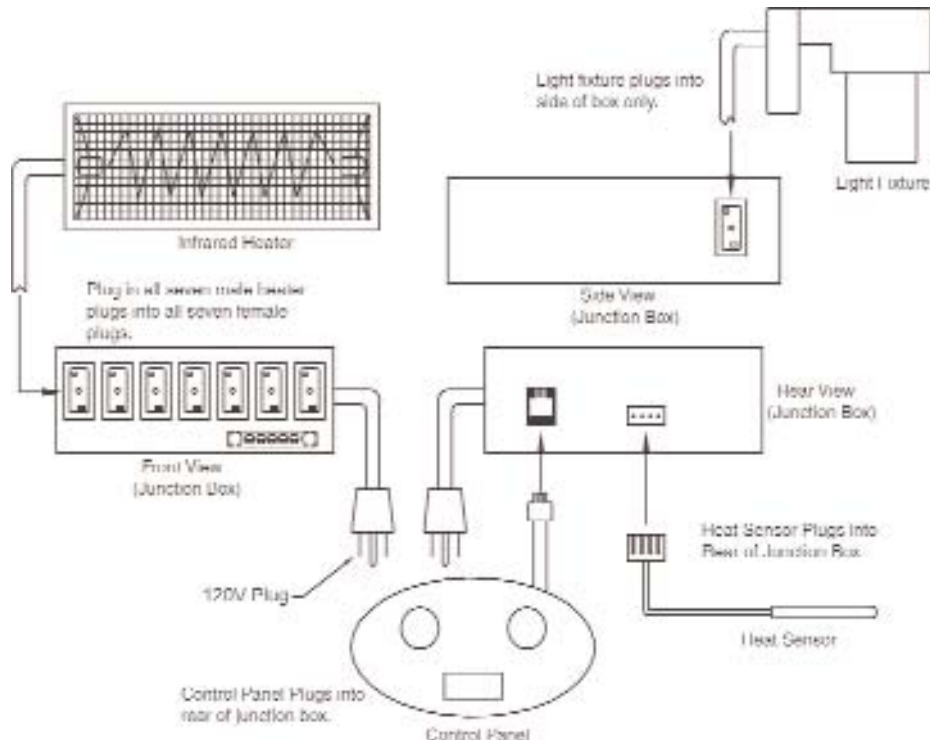


Figure 3. IR-100 electrical plan

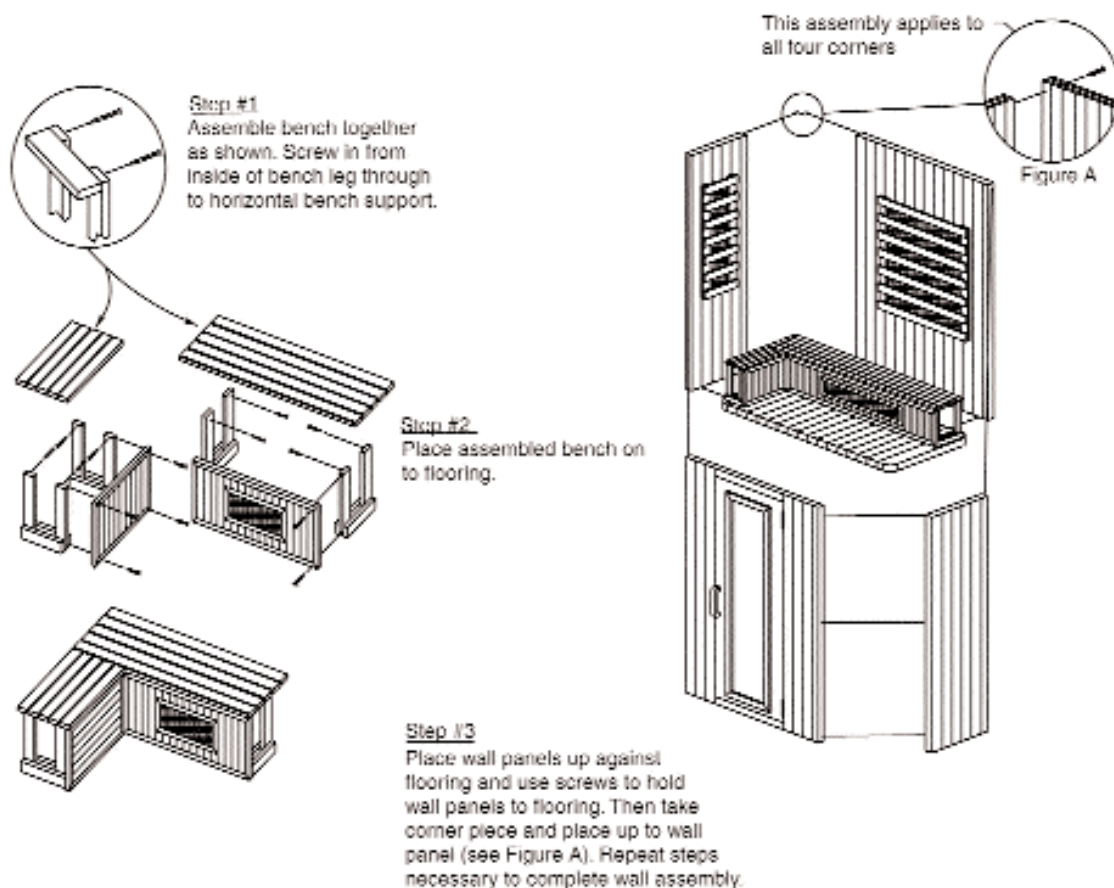
### Light Installation (Both Inside/Outside)

1. Use the decorative light for the outside. Attach the black wires to each other and attach the white wires to each other. Tuck the excess wires into the junction box and tighten the mounting screws. A 100W light bulb is recommended for outside use.
2. Use the gray, commercial-grade light for the inside. Attach the black wires to each other and attach the white wires to each other. Tuck the excess wires into the junction box and tighten the mounting screws. A 60W soft-white light bulb is recommended for outside use.

## IR-200 Infrared Assembly Instructions

**NOTE:** The following steps refer to Figure 4.

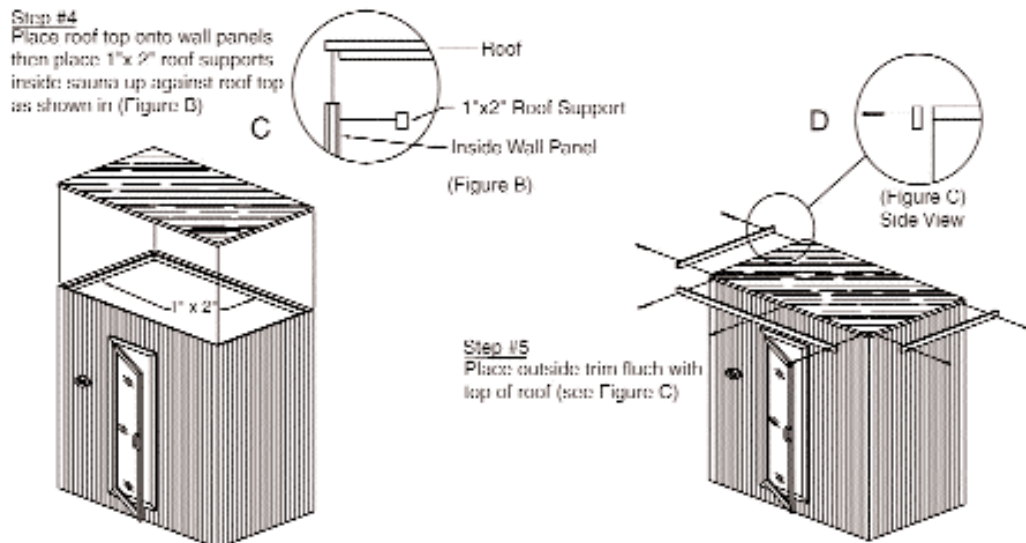
1. Assemble the side bench. Screw the legs into the underside cross-support of the bench (A). After assembling the bench, place the bench on the wooden flooring of the sauna.
2. Assemble the main bench, following the steps in Step 1.
3. Attach the bench skirt to the side bench using the provided screws. There are two pre-drilled holes that are located near the edge of the bench. This is the front of the bench. After attaching the skirt, place two wooden plugs in the holes and gently tap into place.
4. The skirt for the main bench has the bench heater already attached to it. While looking at the bench heater, make sure the heater is to your right. Attach the bench heater skirt using the provided screws (see Step 3). Gently tap the wooden plugs into the holes.
5. Place the wall panels against the flooring and attach the panels (with the provided screws) to each corner. Repeat these steps, as necessary, to complete the wall assembly.



**Figure 4. IR-200 assembly**

6. Take six 3"-wide decorative strips and attach them to each corner. The two corners in the front of the sauna will have a strip on each side. The corners at the back of the sauna will one strip on each visible corner.
7. Place roof top panel onto the wall panel assembly. Place the 1" x 2" roof supports, inside the sauna, up against the roof top (Figure 5).
8. Place the outside trim piece(s) flush with top of the roof (Figure 5).

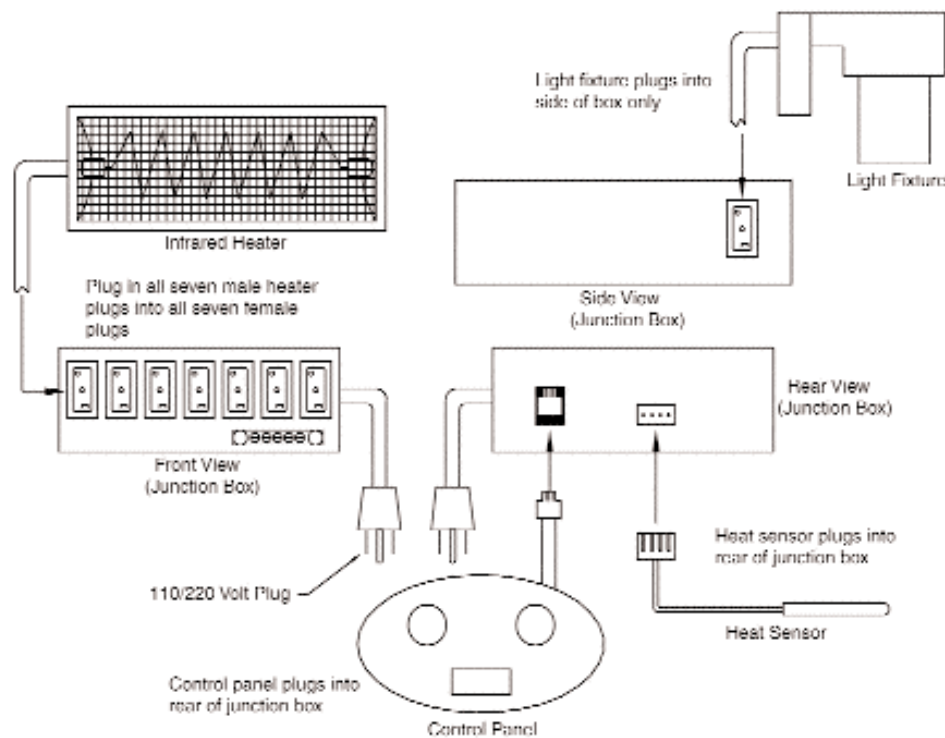
## Assembling Your Sauna



**Figure 5. IR-200 assembly**

9. Plug in all seven male heater plugs into the corresponding female receptacles on the junctions box.
10. Plug the light fixture into the receptacle on the side of the junction box.
11. Plug the heat sensor into the rear of the junction box.
12. Plug the control panel touch pad into the rear of the junction box (this connector has a telephone-type plug).

**NOTE:** It is advised that all electrical connections be made by a licensed electrician. Some sauna models are 220V. Check with your dealer to make sure what your sauna is.



**Figure 6. Electrical plan**

## Light Installation (Both Inside/Outside)

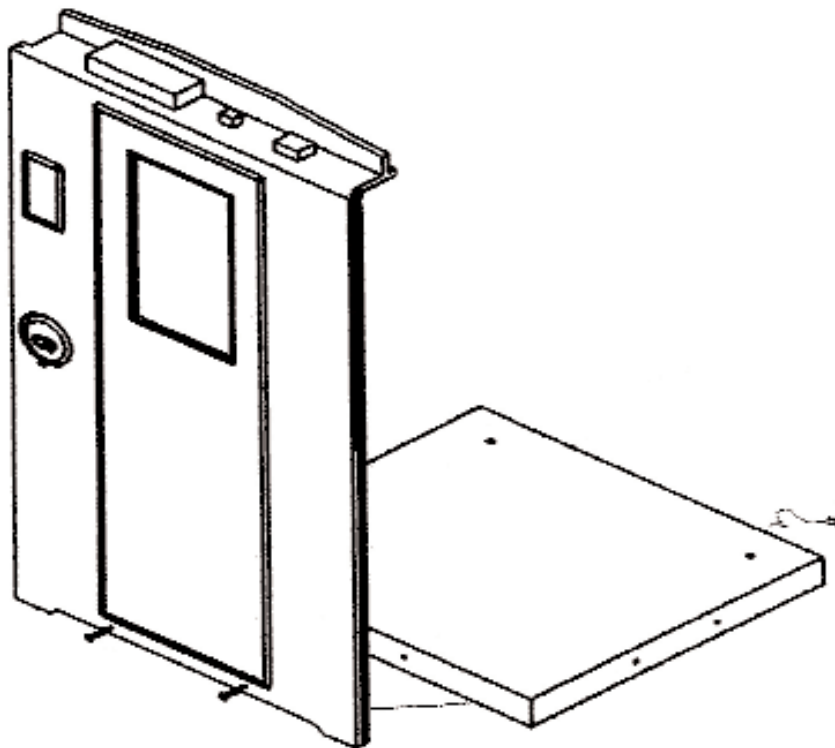
1. Use the decorative light for the outside. Attach the black wires to each other and attach the white wires to each other. Tuck the excess wires into the junction box and tighten the mounting screws. A 100W light bulb is recommended for outside use.
2. Use the gray, commercial-grade light for the inside. Attach the black wires to each other and attach the white wires to each other. Tuck the excess wires into the junction box and tighten the mounting screws. A 60W soft-white light bulb is recommended for outside use.

## **IR-103 and IR-104 Assembly**

Read these instructions entirely before you begin assembling your sauna.

Assemble the infrared cabinet in a location where there will be sufficient space to accommodate it. Make sure the floor is level.

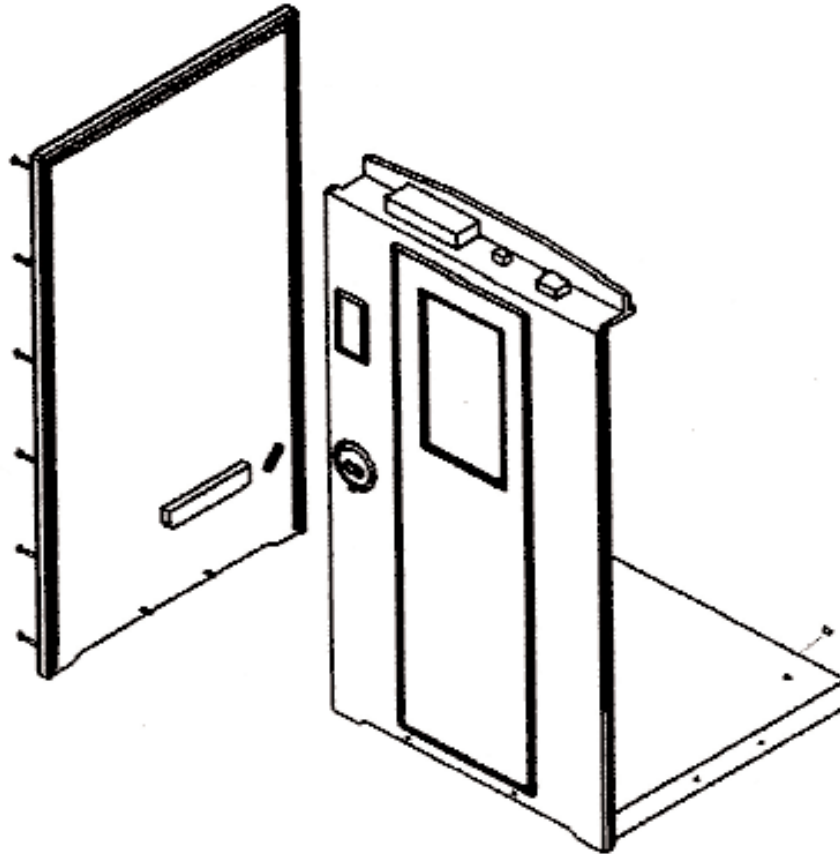
### **Front Door Installation**



**Figure 1. Attaching the front door assembly to the cabinet base**

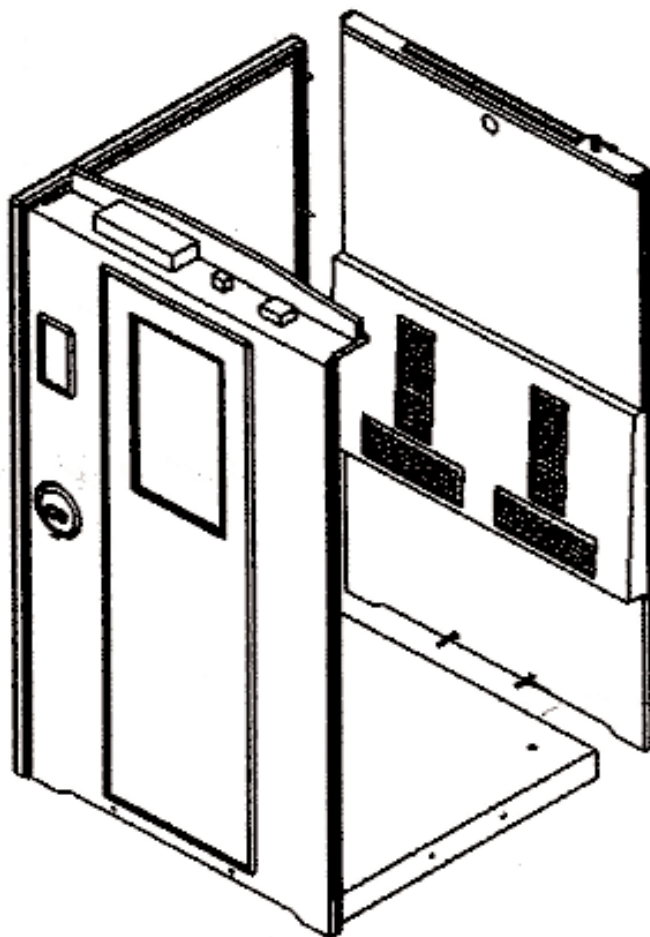
1. Remove the cabinet base from packing box C and position it so the side with two screw holes is facing backwards.
2. Remove the front door assembly from packing box B. ***Be careful to avoid scratching or damaging the front of the CD player.***
3. Place the front door assembly in an upright position in front of the cabinet base.
4. Pull the power cable through the lower right side of the cabinet base.
5. Place the front door assembly next to the cabinet base so that they are aligned.
6. Pull the power cable from the rear of the cabinet base to reduce any slack and to prevent the cable from getting pinched between the front door assembly and the cabinet base.
7. Using two large screws, connect the front door assembly to the cabinet. Note: After tightening, do not move or jostle the front door assembly as it may cause damage.

## Left Side Wall Installation



**Figure 2. Attaching the left side wall**

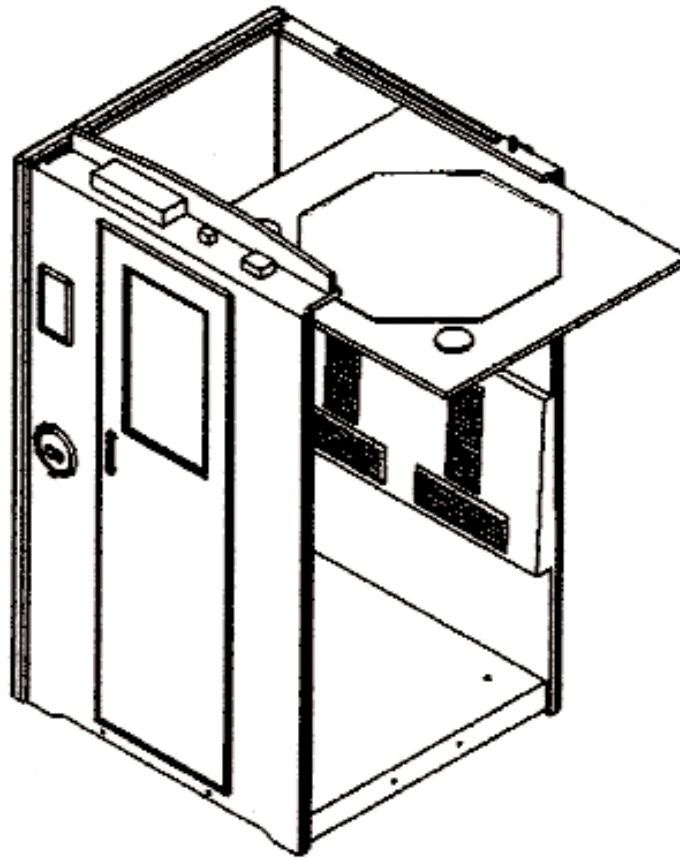
1. Remove the side wall from its packing box.
2. One side of the wall has grooves around its outer edges where the front and back walls will slide into. Place this side next to the cabinet base so that it aligns properly with both the cabinet base and the front door assembly. Ensure the side wall is aligned with the groove on the top of the inner side of the front door assembly.
3. Using two large screws, connect the bottom of the side wall to the cabinet.
4. Using eight large screws, connect the side wall to the front door assembly.



**Figure 3. Attaching the rear wall**

1. Remove the rear wall from packing box A.
2. Place the rear wall with the side with the infrared heater facing inwards and align it with the cabinet base and the into the groove in the left side wall.
3. Using two large screws, connect the front door assembly to the cabinet.

## Ceiling Installation

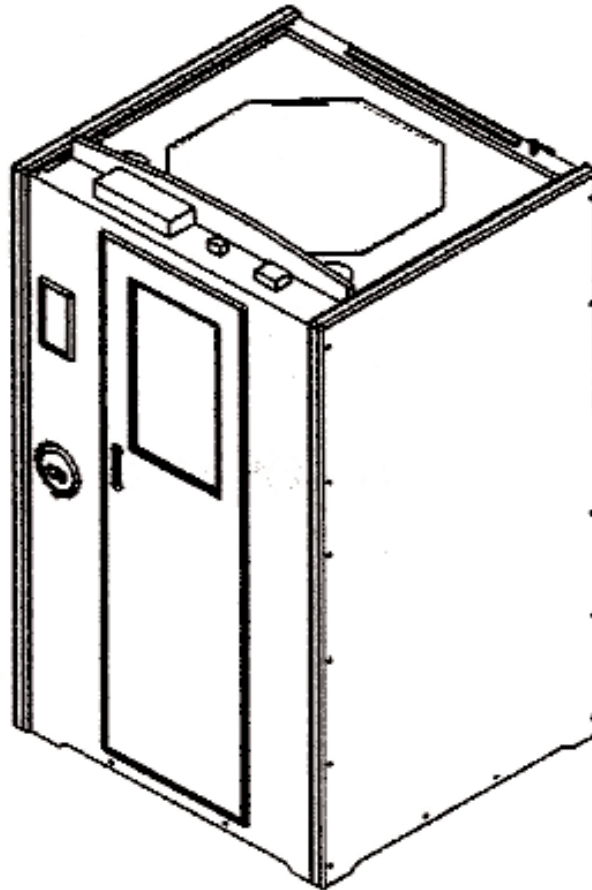


**Figure 4. Installing the ceiling piece**

You will need a second person to help you with this step.

1. Remove the ceiling piece from packing box C.
2. Hold the ceiling piece flat with the speakers facing downwards.
3. Slide the ceiling into the grooves in the front and rear walls. Make sure the speakers are toward the front of the sauna.
4. Continue sliding the ceiling until it cannot go any further and is completely in place.

Note: If the ceiling does not slide in smoothly, ensure the grooves are properly aligned and that there are no obstructions within them. Continue to adjust the front and rear walls until the ceiling slides into place completely. Do not pull the front and rear walls apart because this may cause the ceiling to fall and become damaged.

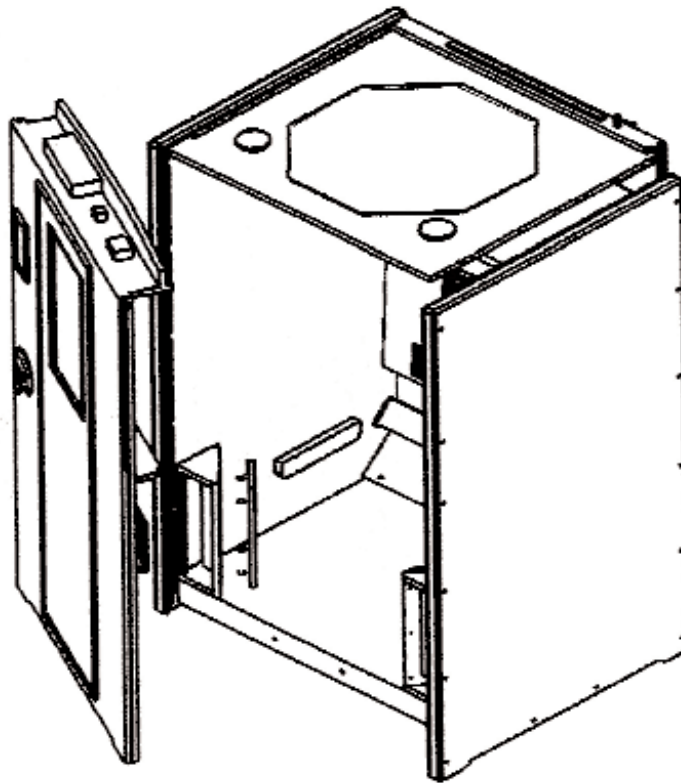


**Figure 5. Attaching the right side wall**

1. Remove the right side wall from packing box A and place it with the grooved edges against the sauna and the smooth side facing out.
2. Align the wall to fit flush in the grooves against the front and rear walls, the ceiling, and the cabinet base.
3. Fasten the right wall by inserting 14 large screws: Two in the cabinet base and eight on each side of where the wall connects to the front and rear walls. Do not insert any screws into the ceiling piece.

## Left and Right Infrared Heater Installation

Even though your sauna has been assembled at this point, Figure 6 below shows an exploded view of the sauna to show the locations of the infrared heater units



**Figure 6. Location of infrared lamps**

1. Remove the infrared heaters and covers from packing box B.

Note: The left and right infrared heaters are marked “L” and “R” respectively.

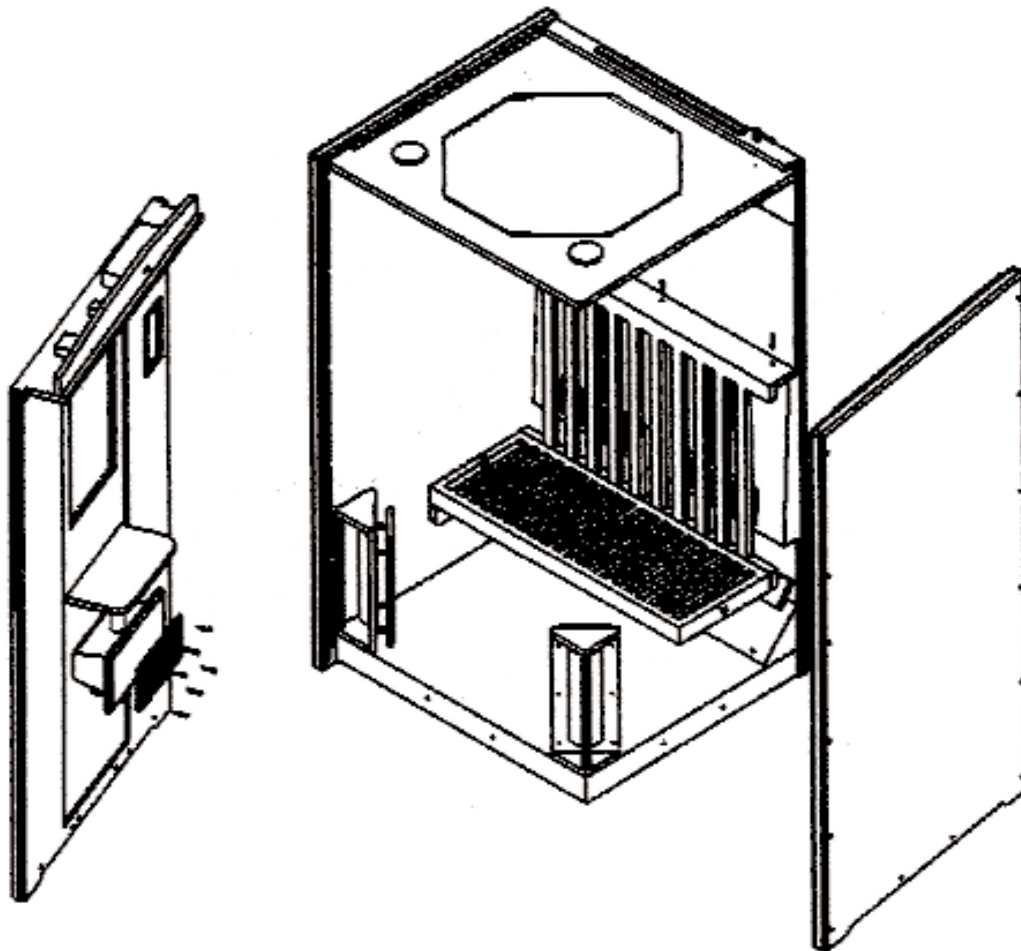
2. Beginning with the right infrared heater, place it upright in the location where you will install it.
3. Connect the power plug by aligning it in the same direction and pushing it inside with a moderate amount of wiggling. If it will not plug in, straighten the end wire of the connector and try connecting it again.
4. Locate the pre-drilled holes.
5. Use four screws to secure the heater in place. Insert the screws evenly and gradually.

Caution: Insert the screws evenly and gradually. Uneven twisting or excessive torque may cause the ceramic tube to burst.

6. The triangular piece of wood that caps each heater is marked with an arrow. Keep the arrow pointing up when installing them. The front face of the infrared heater and the horizontal surface of the top panel will form a 45 degree angle.
7. Repeat steps 2 through 5 for the left infrared heater.
8. Insert four medium sized screws horizontally through one heater to connect the two ceramic tubes.
9. Repeat step 6 for the second heater.

## Rear Infrared Heater Installation

You will need a second person to help you with this step to prevent dropping the rear infrared heaters.



**Figure 7. Location of rear infrared heaters**

1. After connecting the power cord, use eight large screws to secure the rear infrared heaters.
2. The triangular wood that mounts the rear infrared heaters is marked with an arrow. Keep the arrow pointing up when installing it. The front face of the infrared heater and the horizontal surface of the bottom panel will form a 45 degree angle.

## Heater Guard and Bench Installation

1. Remove the wooden heater guard and bench from packing box A.
2. Carefully maneuver the heater guard through the door. Be careful to avoid scratching surfaces.
3. Place the heater guard against the rear wall and align the screw holes where it will be mounted.
4. Use three large screws to attach the wooden heater guard to the mounting block.
5. Carefully maneuver the bench through the door. Be careful to avoid scratching surfaces.
6. Place the bench in its position where it will be attached.
7. Move the bench back and forth so that the oval holes on the left and right sides align with the screw holes in the left and right walls.
8. Fasten the bench with large screws, but do not screw them in tightly.
9. Move the bench back and forth to align the screw holes in the back of the bench to align with the holes in the heater guard.
10. Fasten the rear of the bench with large screws.

## Front Infrared Heater Installation

1. Remove the front infrared heater from packing box B.
2. Attach the infrared heater to the inside of the front door using six small screws.

## Roof Installation

You will need a second person to help you with this step to prevent dropping the roof.

1. Remove the roof from packing box C.
2. Open the window at the back of the roof where the light bulb goes.
3. Screw in a 60W light bulb (not included) into the light fixture in the ceiling and close the window.
4. Insert the two plugs in the ceiling area, using the sponge to fill up the space around the plugs.
5. Place the roof on top of the sauna.

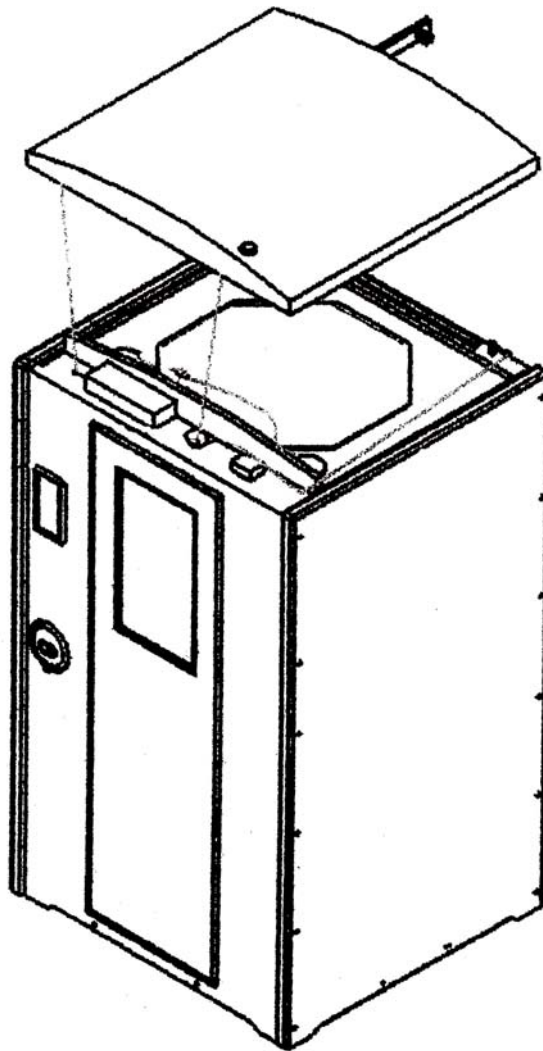


Figure 8. Roof installation

## OD-100 Assembly

The assembly of this sauna will require no less than three people. The panels, roof top and roof assembly are heavy and difficult to lift with by only one person.

The following steps refer to Figures 8, 9, and 10..

1. Assemble the bench. Screw the legs into the underside cross-support of the bench (Figure 7). After assembling the bench, place the bench on the wooden flooring of the sauna.
2. Place the heater bottom support on the front left corner and the place the heater on top of the heater support.
3. Place the wall panels against the flooring and attach the panels (with the provided screws) to the flooring. Attach the center pieces and place between the two front and two back panels. Then place the corner piece and attach it to the wall panels. Repeat these steps, as necessary, to complete the wall assembly.

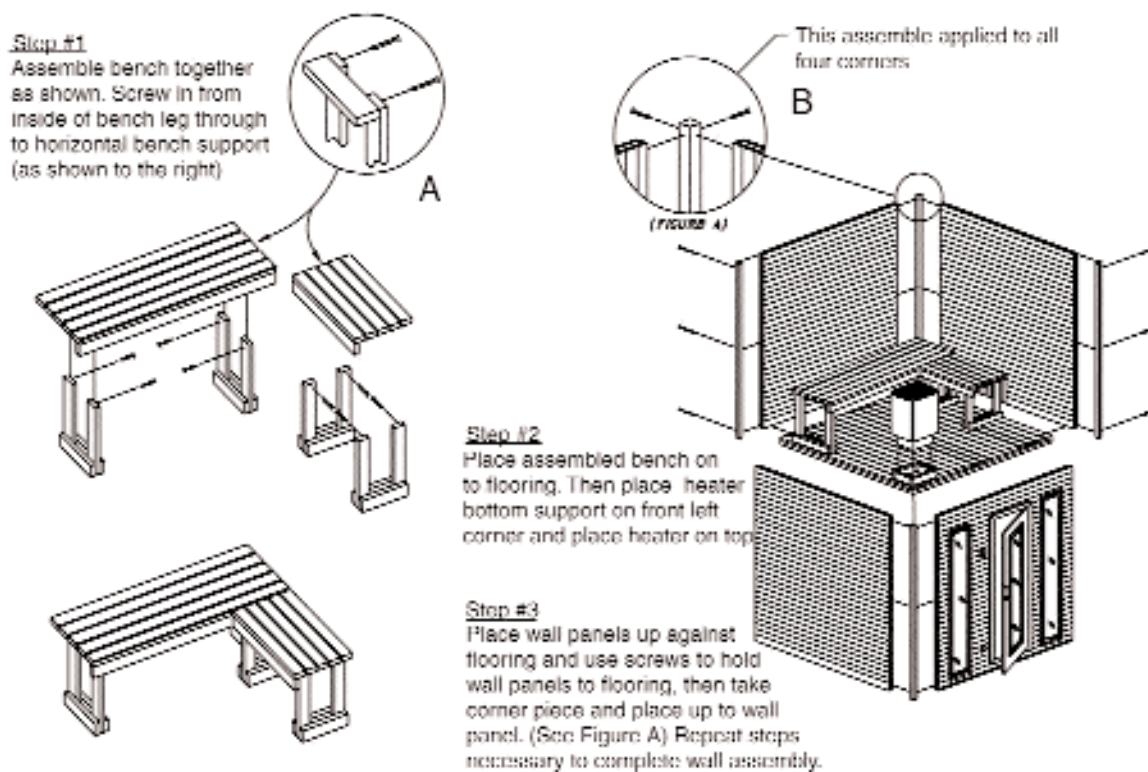


Figure 8. OD-100 assembly

4. Place roof top panel onto the wall panel assembly. Place the 1" x 2" roof supports, inside the sauna, up against the roof top (Figure 9).
5. Place the outside trim piece(s) flush with top of the roof.
6. Place the heater bracket around the heater and secure it in place.

**WARNING: IT WILL TAKE TWO OR MORE PEOPLE TO INSTALL THE ROOF TOP. DO NOT ATTEMPT TO LIFT IT BY YOURSELF.**

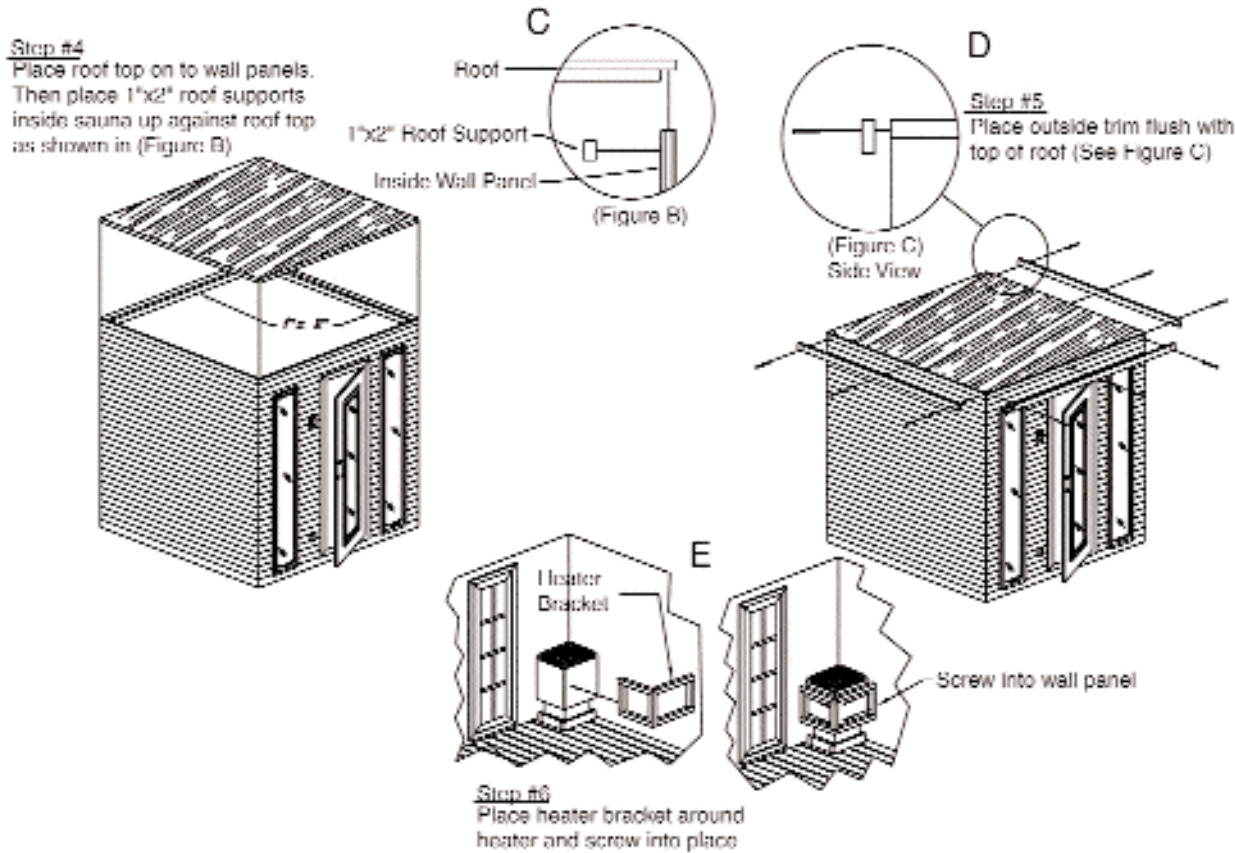
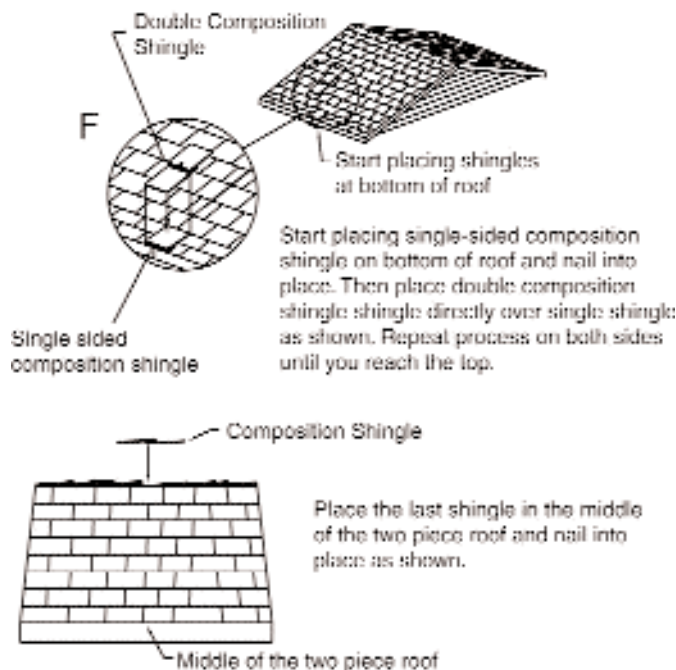


Figure 9. OD-100 assembly

## Assembling Your Sauna

7. Take each roof section and place side-by-side. Make sure the cross-beams are exposed and facing each other. There are pre-drilled holes at each end of the roof sections; make sure these holes line up.
8. Place one bolt with one washer and slide into pre-drilled hole. Place a nut and washer on the other end of the bolt and tighten.
9. Begin placing single-sided composition shingles on the bottom of the roof and nail into place. Then place double composition shingles directly over single shingles. Repeat this process until both sides are completely done.
10. Place the last shingle in the middle of the two piece roof and nail into place.

**NOTE:** It is advised that all electrical connections be made by a licensed electrician. Some sauna models are 220V. Check with your dealer to make sure what your sauna is.



**Figure 10. OD-100 assembly**

## Light Installation (Both Inside/Outside)

1. Use the decorative light for the outside. Attach the black wires to each other and attach the white wires to each other. Tuck the excess wires into the junction box and tighten the mounting screws. A 100W light bulb is recommended for outside use.
2. Use the gray, commercial-grade light for the inside. Attach the black wires to each other and attach the white wires to each other. Tuck the excess wires into the junction box and tighten the mounting screws. A 60W soft-white light bulb is recommended for inside use.

## OD-200 Assembly

The assembly of this sauna will require no less than three people. The panels, roof top and roof assembly are heavy and difficult to lift with by only one person.

The following steps deal with Figures 11 and 12.

1. Assemble the bench. Screw the legs into the underside cross-support of the bench. After assembling the bench, place the bench on the wooden flooring of the sauna.
2. Place the heater bottom support on the front left corner and the place the heater on top of the heater support.
3. Place the wall panels against the flooring and attach the panels (with the provided screws) to the flooring. Attach the center pieces and place between the two front and two back panels. Then place the corner piece and attach it to the wall panels. Repeat these steps, as necessary, to complete the wall assembly.

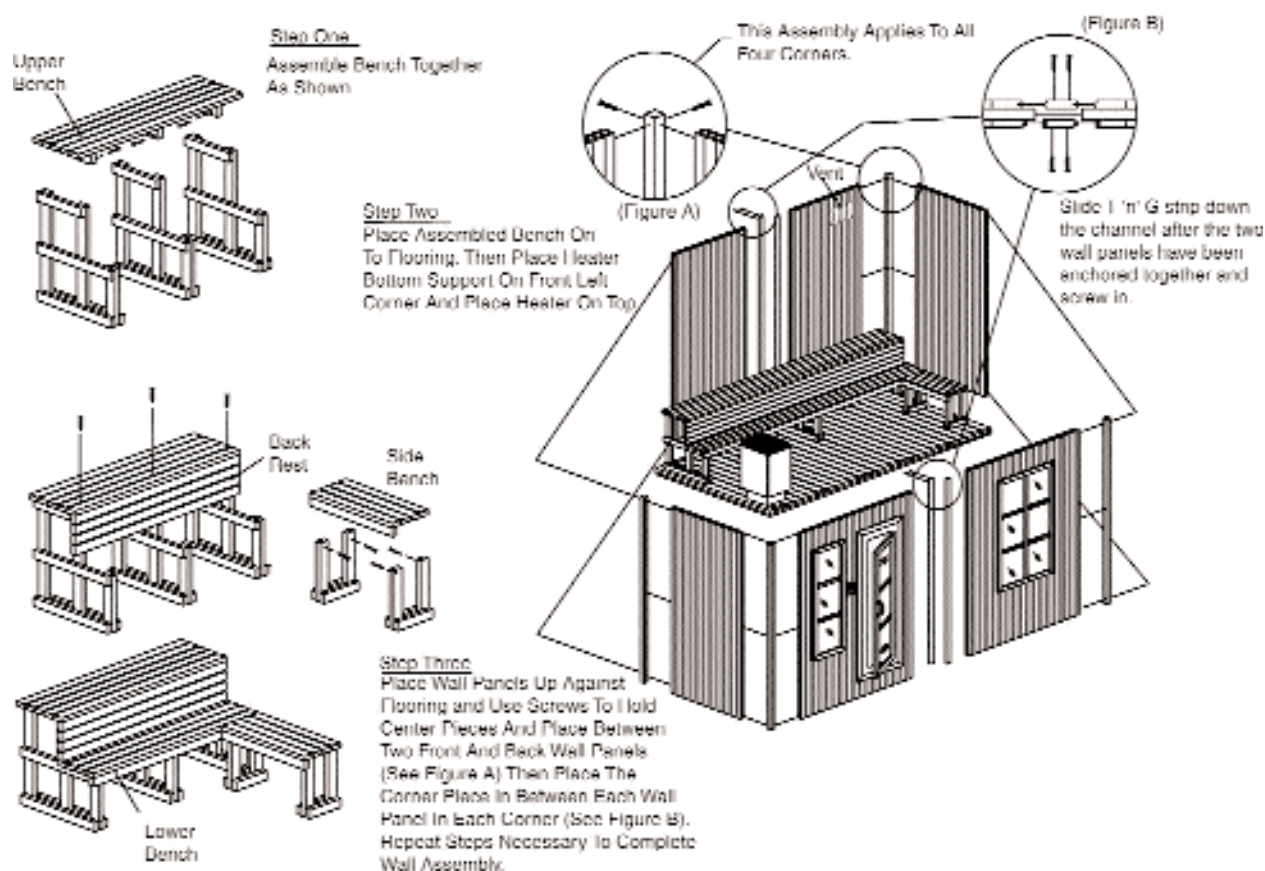
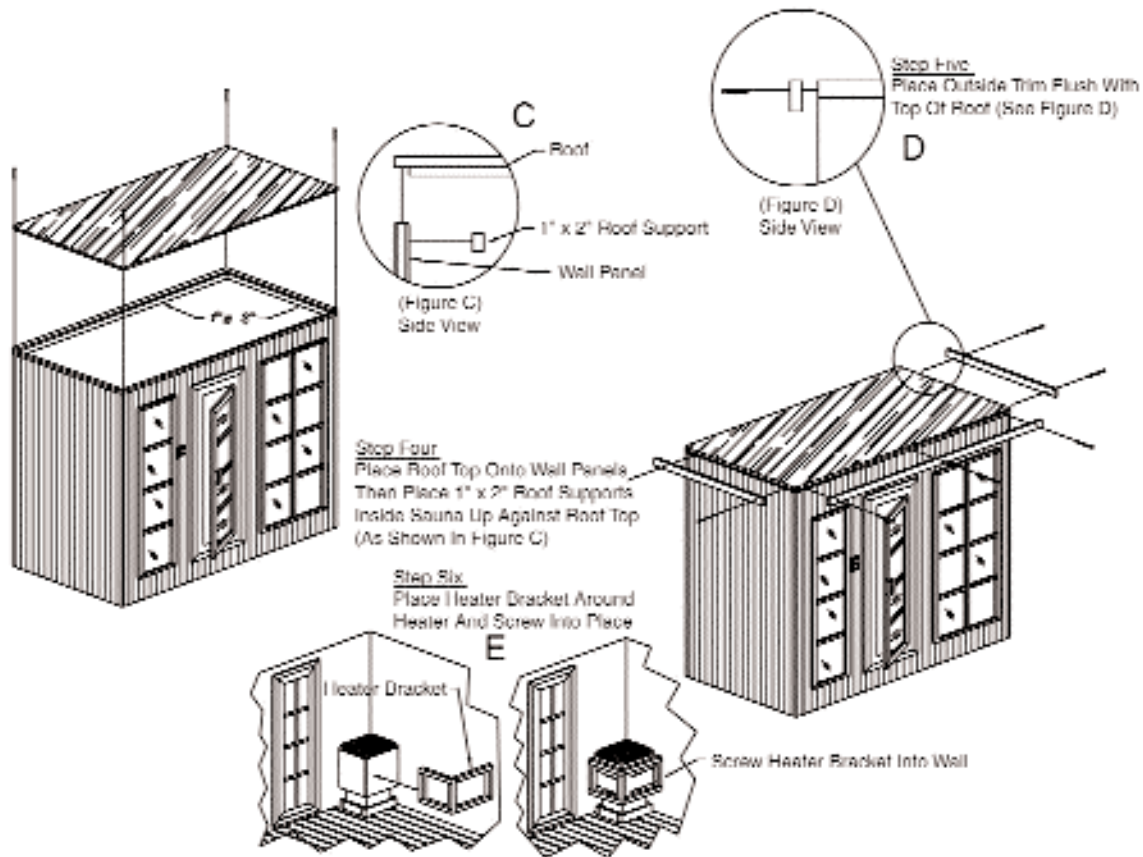


Figure 11. OD-200 assembly

4. Place roof top panel onto the wall panel assembly. Place the 1" x 2" roof supports, inside the sauna, up against the roof top.
5. Place the outside trim piece(s) flush with top of the roof.
6. Place the heater bracket around the heater and secure it in place.

**WARNING: IT WILL TAKE TWO OR MORE PEOPLE TO INSTALL THE ROOF TOP. DO NOT ATTEMPT TO LIFT IT BY YOURSELF.**



**Figure 12. OD-200 assembly**

## Assembling Your Sauna

**NOTE:** The following steps deal with Figure 13.

1. Take each roof section and place side-by-side. Make sure the cross-beams are exposed and facing each other. There are pre-drilled holes at each end of the roof sections; make sure these holes line up.
2. Place one bolt with one washer and slide into pre-drilled hole. Place a nut and washer on the other end of the bolt and tighten.
3. Begin placing single-sided composition shingles on the bottom of the roof and nail into place. Then place double composition shingles directly over single shingles. Repeat this process until both sides are completely done.
4. Place the last shingle in the middle of the two piece roof and nail into place.

**NOTE:** It is advised that all electrical connections be made by a licensed electrician. Some sauna models are 220V. Check with your dealer to make sure what your sauna is.

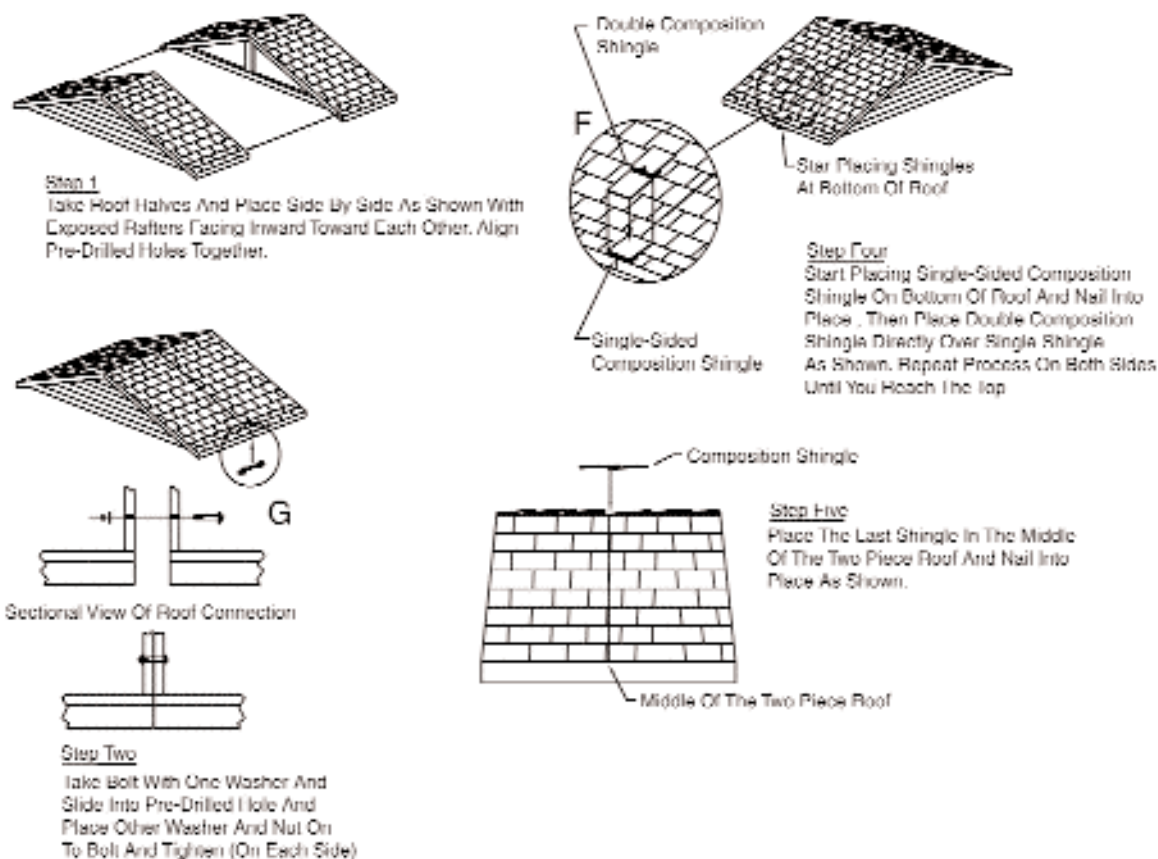


Figure 13. OD-200 assembly

## Light Installation (Both Inside/Outside)

1. Use the decorative light for the outside. Attach the black wires to each other and attach the white wires to each other. Tuck the excess wires into the junction box and tighten the mounting screws. A 100W light bulb is recommended for outside use.
2. Use the gray, commercial-grade light for the inside. Attach the black wires to each other and attach the white wires to each other. Tuck the excess wires into the junction box and tighten the mounting screws. A 60W soft-white light bulb is recommended for inside use.

# Operating Your Sauna

Review all the health and safety instructions. If in doubt as to the advisability of using your sauna, consult your physician. If you feel light-headed or heat-exhausted during a session, exit the sauna immediately.

1. Select the desired temperature and adjust the thermostat accordingly.
2. Allow approximately 10-15 minutes for the sauna to warm-up before beginning a session.
3. Perspiration will begin 10-15 minutes after stepping into the unit. We recommend that a sauna session does not exceed 30 minutes.
4. When the temperature reaches the level set on the thermostat, the heaters will turn off and on periodically to maintain the desired temperature level inside of the sauna.
5. The front window and/or ceiling vent can be opened at any time to introduce fresh air into the sauna.
6. Always drink plenty of water before, during and after a sauna session. Doing so will replenish lost fluids from the body through perspiration.
7. Choosing to take a hot shower or bath prior to the sauna session will further promote perspiration. However, dry off thoroughly before going into the sauna because excessive water will stain or warp the wood. A shower after the session is refreshing and rinses perspiration from the body.
8. To absorb perspiration and keep the sauna clean during a session, place a towel on the bench and floor of the sauna. Keep one towel on hand to wipe excessive sweat from your body.
9. The interior of the sauna is made of the finest softwood. It is very aromatic and adds to the enjoyment of your sauna session. If the fragrance of the fresh wood is too strong during the first few months of use, wipe the wood with a damp cloth to minimize the aroma.

## Heater Operation

Cal Heat has three different heaters that are used in the Cal Heat line of saunas. They are listed below, along with all necessary specifications.

<u>Sauna Model</u>	<u>Heater</u>	<u>Voltage</u>	<u>Casing</u>	<u>Dimensions</u>
CU-100	2.1kW	120V	Stainless Steel - Vapor Proof	15"Wx7"Dx17"H
CU-200	8.0kW	240V	Stainless Steel - Vapor Proof	16"Wx11"Dx23"H
CU-300	8.0kW	240V	Stainless Steel - Vapor Proof	16"Wx11"Dx23"H
CU-400	8.0kW	240V	Stainless Steel - Vapor Proof	16"Wx11"Dx23"H
CU-500	8.0kW	240V	Stainless Steel - Vapor Proof	16"Wx11"Dx23"H
CU-600	8.0kW	240V	Stainless Steel - Vapor Proof	16"Wx11"Dx23"H
CU-700	8.0kW	240V	Stainless Steel - Vapor Proof	16"Wx11"Dx23"H
CU-800	8.0kW	240V	Stainless Steel - Vapor Proof	16"Wx11"Dx23"H
HO-100	2.1kW	120V	Stainless Steel - Vapor Proof	15"Wx7"Dx17"H
HO-200	8.0kW	240V	Stainless Steel - Vapor Proof	16"Wx11"Dx23"H
HO-300	8.0kW	240V	Stainless Steel - Vapor Proof	16"Wx11"Dx23"H
HO-400	8.0kW	240V	Stainless Steel - Vapor Proof	16"Wx11"Dx23"H
HO-500	8.0kW	240V	Stainless Steel - Vapor Proof	16"Wx11"Dx23"H
HO-600	8.0kW	240V	Stainless Steel - Vapor Proof	16"Wx11"Dx23"H
HO-700	8.0kW	240V	Stainless Steel - Vapor Proof	16"Wx11"Dx23"H
HO-800	8.0kW	240V	Stainless Steel - Vapor Proof	16"Wx11"Dx23"H

## 2.1kW and 8.0kW Heaters

These heaters are UL approved for permanent installations and electrical connections. Built with splash proof construction, the conducting parts are protected against water. All wiring must be performed in accordance with local codes. These heaters are wall mounted and have built-in controls.

### Mounting of the Sauna Heater

Using the heater mounting bracket as a guide, drill 4 1/8" holes to fasten the bracket on the wall. Attach the bracket with the 1/4" x 1 1/2" screws supplied with the heater. The screws must be threaded through the wall into a framing member or backing board to hold the heater weight.

The heater is reversible. You can choose to locate the heater timer and thermostat controls on either the right or left side for easy operation. To reverse the heater, simply remove the rock guard from the top of the heater, rotate them and reinstall.

Line up the four holes at the bottom of the heater with four lugs on the mounting bracket. Push the heater gently towards the wall, so the lugs of the mounting bracket pass through the four holes in the heater. Fasten the heater to the mounting bracket using the two #8 sheet metal screws provided with the heater.

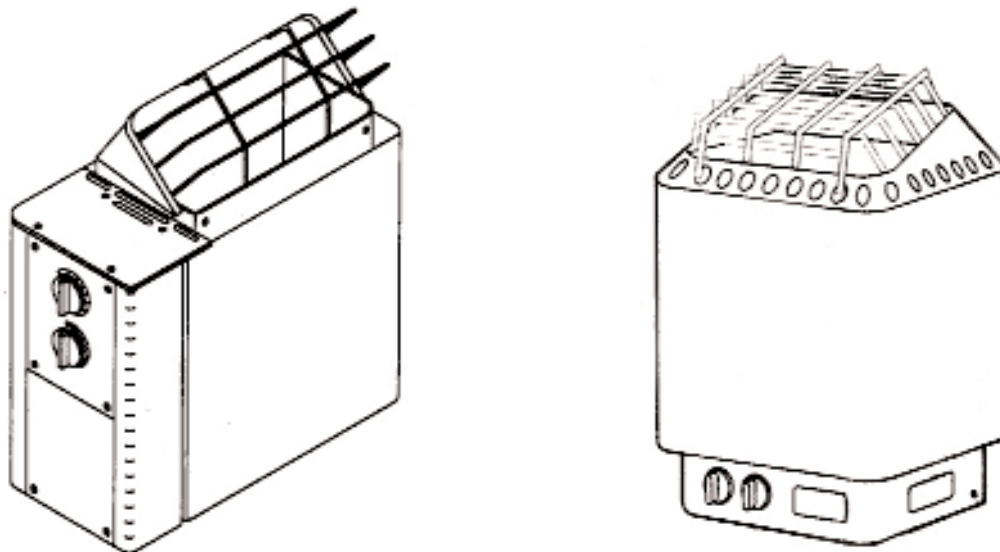
### Placing of Rocks

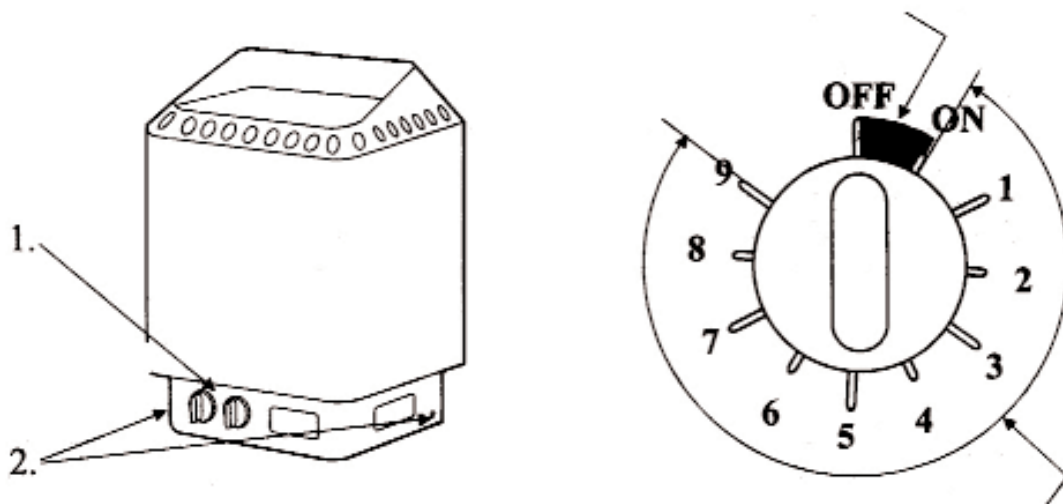
The rocks supplied with the heater have been chosen to provide the best heater performance. Use of any type of rock other than those provided will void the heater's warranty. Never operate the heater without rocks in place.

Rinse the rocks with water before placing them in the heater. Place the larger rocks at the bottom and the smallest at the top. Place the rocks loosely so that air can circulate through the heater. Packing the rocks too tightly may cause the heater high limit switch to trip. The rocks must fully cover the heating elements. Attach the guard with the screws provided.

Electrical installation must be made by a licensed electrician in accordance with the National Electrical Code and local regulations.

Remove the heater's electrical box cover and connect the feed with wires to the terminal block. Use only copper wire, suitable for a minimum of 90°C (194°F).





**NOTE:** The control function for the 2.1kW heater and the 8.0 kW heater are identical. Please follow the instructions below. The numbers in the figure above indicate that the user can change the location of the controls:

1. Remove knobs.
2. Remove screws on the side of the heater.

### Operating Zone For 9-Hour Delay Timer

The area from “OFF” to “ON” is the operating zone. This is the only time the heater is on.

### Delay Zone

The area from “9” to “ON” is the delay zone. This means the heater can be programmed to come on up to nine hours later.

Heater	Phase	VAC	Amps	Wire Size
2.1kW	1	120	17.5	12-2 W/G
8.0kW	1	240	33.3	8-2 W/G

## IR-100 and IR-200 Infrared Models Control Touch Pad

The IR-100 and IR-200 Infrared Saunas are controlled by a touch pad. The following instructions will allow you to operate the sauna.

### Setting the Temperature

1. Be sure the digital display is on (the LED will either be lit, or unlit). The digital display will indicate the current temperature in the room.
2. Press the ‘Time/Temp Set’ button. The last stored temperature setting will flash on the digital display.
3. While the digital display is flashing, press the ‘Time/Temp Set’ button to decrease the temperature one degree.

**NOTE:** Each time the button is depressed, the temperature will decrease 5°F.

4. To increase the temperature, wait 4 seconds until the display stops flashing; repeat Step 2 and Step 3.

**NOTE:** Each time the button is depressed, the temperature will increase 5°F, to a maximum of 130°F.

## Setting the Time

1. Be sure the digital display is on and the LED indicator is off. The digital display indicates the current temperature in the sauna. Press the 'Time/Temp Set' button. The last stored temperature setting flashes on the digital display.
2. With the digital display flashing, press the 'On/Off' button. The last stored time-setting flashes on the digital display.
3. With the digital display flashing, press the 'Time/Temp Set' button to decrease the time 5 minutes.

**NOTE:** Each time you press the button, the time will decrease 5 minutes.

4. To increase the time, wait 4 seconds until the display stops flashing; repeat Step 2 through Step 4.

**NOTE:** Each time you depress the button, the time will increase in five minute increments, to a maximum of 60 minutes.

## Turning the Infrared Heaters and Room Light On/Off

1. Pressing the 'Heat/Light' button once turns the heaters and the room light on.
2. Pressing the 'Heat/Light' button again turns the heaters and room light off.

Default Temperature: 120°F

Default Time: 60 Minutes



## High Limit Device

This system has a built-in high limit control, which automatically turns off the system if the temperature inside the room rises to an abnormally high level. If the "OH" (overheated) appears on the control screen, this indicates that the system overheated. To restart, let the system cool, then press the 'On/Off' button on the control panel to reset the system.

# IR-103 and IR-104 Sauna Use and Operation

## Start Up

Refer to Figure 14 below for operation instructions.



**Figure 14. Control panel**

Make sure the power supply to the infrared sauna is properly connected.

Press the ON button to start the system. When the power is switched on, the sauna will perform an automatic check. The display will show “00” to “EE”.

At the end of the automatic check, the digital display will show “AA 50” and “AA 25”. In 25 seconds, the temperature will be checked and indicated. Press the START button to start the operation of the system.

Note: In case of errors caused by misoperation, switch off the power, wait a few minutes, and restart the system.

## General Operation

### Temperature Setting and Control

Press the T+ or T- button to increase or decrease the set temperature. The temperature can be set between 66 F and 122 F. When the temperature has reached the upper or lower limit, pressing the T+ or T- again will not increase or decrease the temperature and will cause the system to beep.

### Time Setting and Control

Press the Tm+ or Tm- button to increase or decrease the running time of the system. The running time can be set between 0 and 50 minutes. When the running time has reached the upper or lower limit, pressing the Tm+ or Tm- button again will not increase or decrease the running time and will cause the system to beep.

### Proper Sauna Use

Press the start button. The infrared heater will turn on. The timer will begin to count down. Pressing the start button during operation will pause the timer and stop the infrared heater. Pressing it again will resume the heating cycle.

Note: When the temperature reaches the set value, the temperature will remain constant and the infrared heaters will heat continuously. When the set time is up, the beeper will give five beeps to remind the user

of the end of the sauna session.

By pressing the LMT CONTR (Limit Control) button, the system's running time and temperature will be locked and cannot be changed. Time counting and operation suspension will not be possible. Pressing the LMT CONTR button a second time cancels the limited control and all functionality will be restored. After the running time and temperature have been set, in order to prevent tampering with the parameters or with the START/STOP button while the user is inside the cabinet, use the LMT CONTR button on the inside of the cabinet.

### **Using the Vent Sashes**

Pull out the two vent sashes to ventilate the air. During operation, if the user becomes overheated, open the vent sashes on the upper part of the rear wall and on the front door for ventilation. This will let in fresh air.

### **Adjusting the Height of the Front Infrared Heater**

Hold the left and right sides of the heater and pull up or down to your desired height.

### **Operating the CD Player**

To insert a CD, pull the drawer bar out of the CD player and push the cover switch sideways to open the CD player cover. Press the button to play a CD. See the enclosed owner's manual for other CD operation controls.

### **Fault Conditions**

When the temperature sensor detects a fault, the infrared heaters will shut off, the temperature display will show "EE", and the beeper will sound. To reset, switch the power off and then switch it back on again. When the temperature detection is normal, the system will return to standby condition. If the fault persists, call your Cal Heat dealer for service.

# Using the Marine Grade Audio System

Spas equipped with the marine grade audio system use either the Clarion or the Aquavibe stereo receiver, amplifier and CD player (see Figure 14). Each Cal Spa™ unit equipped with this audio system is delivered with the manufacturer's operating instructions. We strongly recommend that you read these instructions prior to operating this unit.

These instructions describe basic functions. See the manufacturer's operating instructions for other features and functions. These instructions are delivered with the Cal Spas™ owner's manual in a clear plastic bag.

## Using the Clarion Stereo

The Clarion marine grade stereo (Figure 15) is the standard stereo for spa owners with this option.



Figure 15. The Clarion marine grade stereo

To insert a CD into the CD player, pull down the CD drive cover to expose the CD drive (Figure 16).

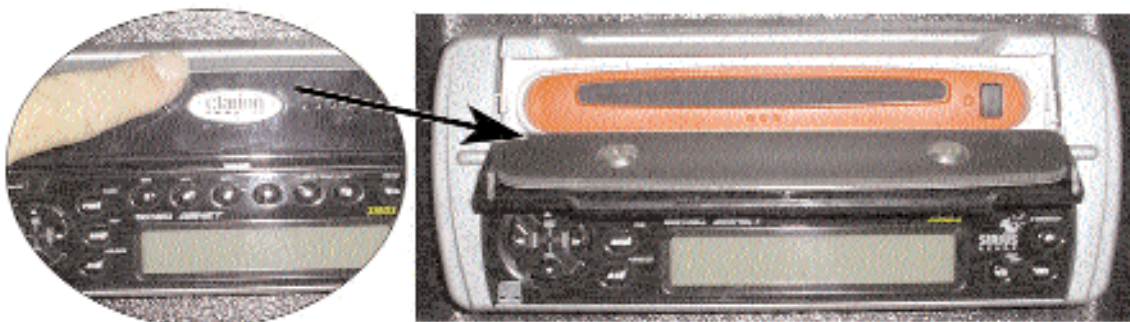


Figure 16. Opening the CD drive





The following describes basic functions:

**[ PWR ] button**

Press the button to turn on the power.  
Press and hold the button for one second to turn off the power.  
Switches the operation mode among the ratio mode, etc.

**[ SCN ] button**

Performs scan play for 10 seconds for each track while in CD mode.

[ RPT ] button	Repeat play while in CD mode.
[ HOOK ]	Open the door by pushing up the hook.
[ RDM ] button	Performs random play while in CD mode.
[ DOOR ]	Door must be totally closed to prevent water going into the unit.
[ P/A ] button	Performs present scan while in radio mode. When the button is pressed and held, auto store is performed.
[ D ] button	Switches the display indication (main display, sub display, clock display).
[ T ] button	Use the button to input a title in CD mode. Press and hold the button for one second or longer to enter adjust mode.
[ Z+ ] button	Use the button to select one of the three types of sound characteristics already stored in memory.
[ ISR ] button	Recalls ISR radio station in memory. Press and hold for two seconds or longer: stores current station into ISR memory (radio mode only.)
 button	Plays or pauses a CD while in the CD mode.
[ DIRECT ] button	Stores a station into memory or recall it directly while in radio mode.
[ BAND ] button	Switches the band, or seek tuning or manual tuning while in radio mode. Plays a first track while in CD mode.
[ A-M ] button	Press and hold the button for one second or longer to switch the MAGNA BASS EXTEND on or off.
 buttons	Press the buttons to increase or decrease the volume.
 buttons	Selects a station while in radio mode or selects a track when listening to a CD. These buttons are also used to make various settings. Press and hold the button for one second or longer to switch the fast-forward/fast-backward.
[ M ] button	Turns mute on and off.
[ CD SLOT ]	CD insertion slot.
[ RESET ] button	Press and hold the button for about two seconds when the following symptoms occur: <ul style="list-style-type: none"> <li>• Nothing happens when buttons are pressed.</li> <li>• Display is not accurate.</li> </ul>
 button	Ejects a CD when it is loaded into the unit.

## Installation

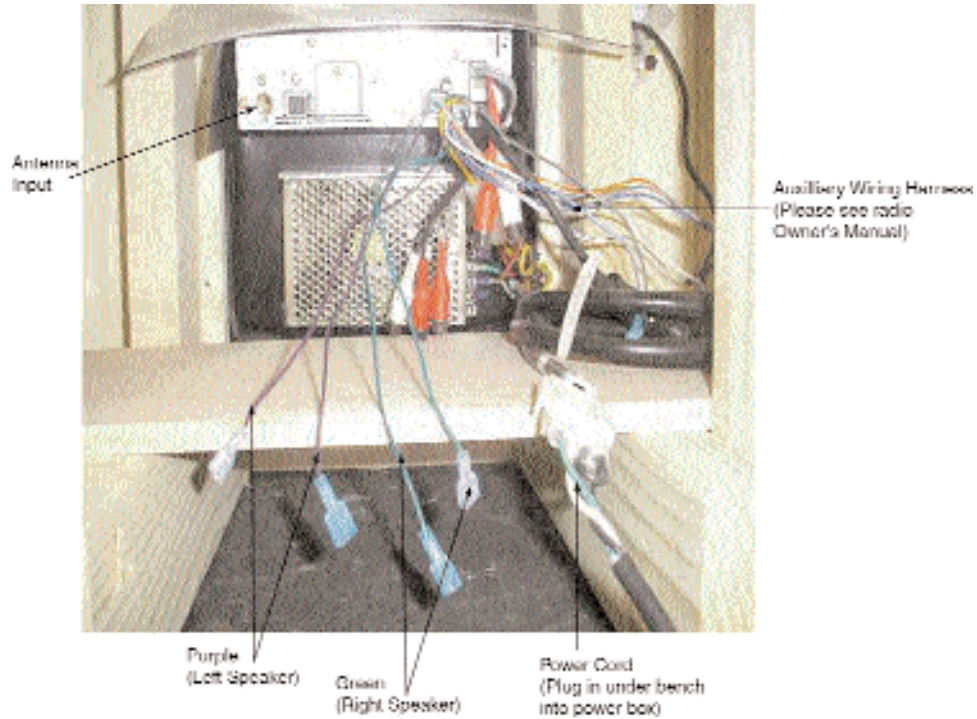


Figure 17. Stereo back plate



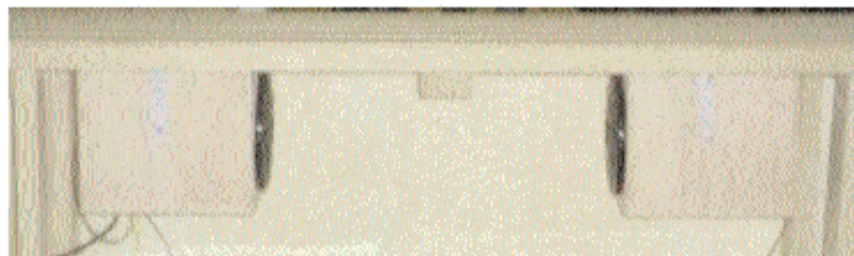
A. Wire Placement



B. L-Bracket



C. Speaker Mount



D. Speaker Placement

Figure 18. Stereo back plate

## Antenna

1. Plug the antenna into the back of the stereo unit.
2. Mount the antenna underneath the bench with the provided screws.

The antenna can be mounted on the outside of the sauna. A hole must be drilled through the wall. Route the antenna cable through the hole from the outside, then plug it into the stereo. Make sure the hole is properly sealed afterwards.

### Mounting the Speaker and Speaker Box

1. To mount the speaker box, place the L-bracket on the underside of the main bench and attach the L-bracket using the provided screws (Figure 17).
2. Slide the speaker box up between the L-brackets and attach them with four screws through the sides of the speaker box.

### Wiring the Speakers

1. Run the provided speaker wire from the purple speaker plugs into the speaker located on the left side of the stereo. Run these wires between the bench, the sauna wall, and through the pre-drilled hole on the back of the speaker box (Figure 17).
2. Mount the speaker on the underside of the bench seat in the left corner.
3. Run the provided wire from the green speaker plugs into the speaker located on the right side of the radio. Run these wires between the bench, the sauna wall, and through the pre-drilled hole on the back of the speaker box.
4. Mount the speaker on the underside of the bench seat in the right corner.
5. Run the power cord under the main bench and plug it into the main junction box.

# Cleaning and Maintaining Your Sauna

A sauna requires little care and virtually no maintenance at all.

## Care of the Sauna Room

Sauna maintenance will be much easier if the floor has been fully sealed and wood preservative applied to selected parts. When finished using the sauna, propping the door open will allow good air flow to dry out all of the wood surfaces. Deckboards can be lifted up to dry.

A double layer of terrycloth should be used on the top bench for comfort as well as for keeping the top bench clean from all perspiration. The terrycloth can be washed occasionally.

Under normal conditions, a slight wash of the floor several times a year will maintain its cleanliness. The benches can be washed with a mild solution of liquid cleaner and water to remove any build-up and perspiration stains from the wood. Never use ammonia or harsh cleaners, as they can turn the wood grey. Cal Sauna has a specially-formulated sealant that should be applied to surfaces to prevent discoloration. No stripping or sanding is required to recoat. Do not use commercial wood sealers from local lumberyards or hardware stores. These are not designed to withstand the sauna temperatures or humidity.

## Sauna Maintenance

Some swelling or shrinkage can occur in the door depending on the seasons and the moisture levels in the home. The friction door catch can be removed and the pressure-setting adjusted at any time.

The light bulb can be replaced by any 40 or 60 watt light bulb of any color, including white. Amber/orange colored light bulbs are the most ideal for a soft, warm and comfortable light. A shorter bulb life is normal for sauna lights. One suggestion is to use a rough service bulb, which is the type used in automotive trouble lights. These light bulbs tend to have a longer life span.

## Heater Maintenance

Heaters usually require little or no regular maintenance. To clean the stainless steel outer shell, use a soft cloth with a mild, non-abrasive cleaner. Never use steel wool, as it will leave iron particles and create rust stains. Never disassemble the heater or open the electrical box. This should be done by a qualified technician.

The granite rocks may need to be replaced in 6 to 10 years. In many cases, the rocks will last up to 15 years.

## Accessory Maintenance

The wooden bucket should always be taken care of. When not in use, store the bucket, after it has been thoroughly cleaned. Avoid leaving metal buckets on the top bench, as they can get hot to the touch. Also avoid putting the bucket close to the ceiling, as heat rises.

**WARNING:** NEVER USE OR APPLY ANY TYPE OF SEALANT, FINISH, COATING OR OIL TO THE INTERIOR SURFACES OF YOUR SAUNA. THE HIGH TEMPERATURES IN YOUR SAUNA MAY CAUSE THE RELEASE OF HARMFUL, OR EVEN FATAL, TOXIC FUMES.

---

# Appendix

## Troubleshooting Guide

**PROBLEM:** There is no power.

**SOLUTION:**

- 1). Make sure that both ends of the power cord are securely plugged in to their respective power outlets.
- 2). Make sure that the circuit breaker has not been tripped.

**PROBLEM:** House breaker/fuse is tripping.

**SOLUTION:**

- 1). Make sure that the amperage of the breaker is the same as the amperage for the sauna.
- 2). Make sure that the circuit is not overloaded by running any appliances on the same circuit.

**PROBLEM:** There is no power to the sauna or the radio/CD player.

**SOLUTION:**

- 1). Make sure that the main power cord is plugged securely into the wall outlet.
- 2). Make sure that the house circuit breaker for that line is not tripped.
- 3). Lift open the power supply cover. Make sure the other end of the main power cord is plugged into the male outlet on the power supply.

**PROBLEM:** Light is not working properly.

**SOLUTION:**

- 1). Disconnect the main power cord from the sauna and change the light bulb.
- 2). Check if the light has been manually turned off by pressing the 'Lamp' button on the control keypad.

**PROBLEM:** The CD player is on, but there is no sound coming from the speakers.

**SOLUTION:**

- 1). Remove the speakers and make sure the speaker cables are plugged securely into the speaker jacks.
- 2). Remove the 4 mounting screws from the plastic console where the radio/CD head unit is located. Pull the radio/CD out and ensure that all connections in the back are secured firmly to the radio/CD head unit.
- 3). Refer to the instruction manual for the Radio/CD player and check to see that the volume is not turned all the way to zero.

**PROBLEM:** Sound only comes from one speaker.

**SOLUTION:**

- 1). Remove the speakers and make sure the speaker cables are plugged securely into the speaker jacks.
- 2). Remove the 4 mounting screws from the plastic console where the radio/CD head unit is located. Pull the radio/CD out and ensure that all connections in the back are secured firmly to the radio/CD head unit.
- 3). Refer to the instruction manual for the Radio/CD player and check to see that the sound balance is not turned all the way to one side.

**PROBLEM:** CD is playing correctly, but the radio doesn't tune in stations clearly.

**SOLUTION:**

- 1). Make sure that the antenna is out as far as it will go and move it around until stations come in clearly.
- 2). Remove the 4 mounting screws from the plastic console where the radio/CD head unit is located. Pull the radio/CD out and ensure that all connections in the back are secured firmly to the radio/CD head unit.
- 3). Make sure the antenna is securely plugged into the antenna jack on the radio.

**PROBLEM:** Radio/CD player is not working properly

## Appendix

---

- SOLUTION:**
- 1). Make sure that the radio faceplate is seated securely.
  - 2). Remove the 4 mounting screws from the plastic console where the radio/CD head unit is located. Pull the radio/CD out and ensure that all connections in the back are secured firmly to the radio/CD head unit.
  - 3). Check the fuse for the radio. (Refer to the radio Owner's Manual on how to remove it)

**PROBLEM:** Rear heaters are not producing heat (infrared).

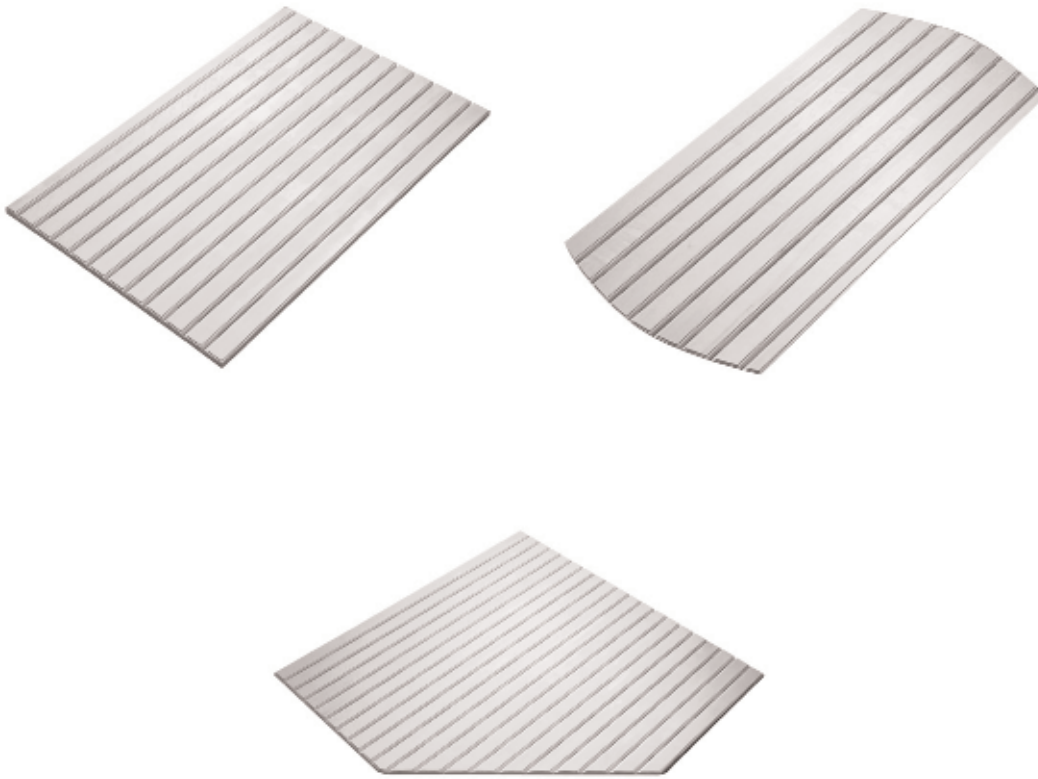
- SOLUTION:**
- 1). Remove half-bench and lower skirt (below full-bench). Check power box to ensure all connections are firmly plugged into junction box.

## Accessories

The following is a list of all the accessories that you can use with your Cal Spa. If you wish to order an accessory, feel free to contact your dealer with the desired part name and part number, or visit [www.calspas.com](http://www.calspas.com).

# SAUNA ACCESSORIES

	<b>Bucket</b> OPT481		<b>Leg Rest</b> OPT487
	<b>Dipper</b> OPT482		<b>Back Rest</b> OPT488
	<b>Thermometer</b> OPT483		<b>Wall Robe Hanger</b> OPT489
	<b>Sandtimer</b> OPT484		<b>Wall Towel Bar</b> OPT490
	<b>Stones</b> OPT485		<b>Bench</b> OPT491



If you choose to have wooden flooring added to your sauna, the following information will aid you during the ordering process.

<b>Model</b>	<b>Part Number</b>
CU-100	OPTU468-CU100
CU-200	OPTU468-CU200
CU-300	OPTU468-CU300
CU-400	OPTU468-CU400
CU-500	OPTU468-CU500
CU-600	OPTU468-CU600
CU-700	OPTU468-CU700
CU-800	OPTU468-CU800

## Replacement Parts

The following section contains the part numbers that will be needed for your reference in the event that parts need to be ordered.

### CU-100

<u>Description</u>	<u>Part Number</u>	<u>Quantity</u>
SIDE PANEL 45 X 83"	WOO27306232	2
FRONT PANEL 45 X 83"	WOO27306230	1
SAUNA DOOR HANDLE	WOO27100885	1
BACK PANEL 45 X 83	WOO27306229	1
TOP PANEL 48 X 48	WOO27306228	1
BOTTOM PANEL 48 X 45	WOO27306227	1
BENCH 19.5 X 44.5	WOO27306225	1
CU-100 BENCH-BACK REST	WOO27306509	1
BENCH SUPPORT 16 1/2 X 16 1/2	WOO27306236	2
2 X 2 X 82.5 CORNER CONNECTOR	WOO27106842	4
SAUNA HEATER GUARD	WOO27101211	1
BASE HEATER SAUNA 10 X 16	WOO27306391	1
SAUNA HEATER 2.1 kW 120 V	HEA14000305	1
SAUNA LIGHT	LIT16000020	1
SCREW 8 X 2 1/2" SQ. DRIVE	HAR13201150	50
SCREW 8 X 1 5/8" PHILLIP	HAR13200010	50
WARRANTY & REGISTRATION CARD	LTR17001970	1

### CU-200

<u>Description</u>	<u>Part Number</u>	<u>Quantity</u>
CU-200 SIDE PANEL	WOO27306510	2
CU-200 FRONT PANEL	WOO27306511	1
SAUNA DOOR HANDLE	WOO27100885	1
CU-200 BACK PANEL	WOO27306512	1
CU-200 TOP PANEL 60 X 60	WOO27306513	1
CU-200 BOTTOM PANEL 60 X 57	WOO27306514	1
CU-200 BENCH	WOO27306515	1
CU-200 BENCH-BACK REST	WOO27306516	1
CU-200 BENCH SUPPORT	WOO27306517	1
2 X 2 X 82.5 CORNER CONNECTOR	WOO27106842	4
SAUNA HEATER GUARD	WOO27101211	1
BASE HEATER SAUNA 10 X 16	WOO27306391	1
SAUNA HEATER 8.0 kW 240 V	HEA14000380	1
SAUNA LIGHT	LIT16000020	1
SCREW 8 X 2 1/2" SQ. DRIVE	HAR13201150	50
SCREW 8 X 1 5/8" PHILLIP	HAR13200010	50
WARRANTY & REGISTRATION CARD	LTR17001970	1

### CU-300

<u>Description</u>	<u>Part Number</u>	<u>Quantity</u>
CU-300 SIDE PANEL	WOO27306518	2
CU-300 FRONT PANEL	WOO27306519	1
CU-300 CORNER PANELS	WOO27306520	2
SAUNA DOOR HANDLE	WOO27100885	1
CU-300 TOP PANEL	WOO27306521	1
CU-300 BOTTOM PANEL	WOO27306522	1
CU-300 BENCH	WOO27306523	1
CU-300 BENCH-BACK REST	WOO27306524	1

## Appendix

CU-300 BENCH SUPPORT	WOO27306525	1
2 X 2 X 82.5 CORNER CONNECTOR	WOO27106842	4
SAUNA HEATER GUARD	WOO27101211	1
BASE HEATER SAUNA 10 X 16	WOO27306391	1
SAUNA HEATER 8.0 kW 240 V	HEA14000380	1
SAUNA LIGHT	LIT16000020	1
SCREW 8 X 2 1/2" SQ. DRIVE	HAR13201150	50
SCREW 8 X 1 5/8" PHILLIP	HAR13200010	50
WARRANTY & REGISTRATION CARD	LTR17001970	1

## CU-400

<u>Description</u>	<u>Part Number</u>	<u>Quantity</u>
CU-400 SIDE PANEL	WOO27306526	2
CU-400 CORNER PANEL	WOO27306527	2
CU-400 LEFT-FRONT PANEL	WOO27306528	1
CU-400 RIGHT-FRONT PANEL	WOO27306529	1
SAUNA DOOR HANDLE	WOO27100885	1
CU-400 TOP PANEL	WOO27306530	1
CU-400 BOTTOM PANEL	WOO27306531	1
CU-400 BENCH	WOO27306532	1
CU-400 BENCH-BACK REST	WOO27306533	1
CU-400 BENCH SUPPORT	WOO27306534	1
2 X 2 X 82.5 CORNER CONNECTOR	WOO27106842	5
SAUNA HEATER GUARD	WOO27101211	1
BASE HEATER SAUNA 10 X 16	WOO27306391	1
SAUNA HEATER 8.0 kW 240 V	HEA14000380	1
SAUNA LIGHT	LIT16000020	1
SCREW 8 X 2 1/2" SQ. DRIVE	HAR13201150	50
SCREW 8 X 1 5/8" PHILLIP	HAR13200010	50
WARRANTY & REGISTRATION CARD	LTR17001970	1

## CU-500

<u>Description</u>	<u>Part Number</u>	<u>Quantity</u>
SIDE PANEL 81" x 83"	WOO27306472	2
CU-500 CORNER PANEL	WOO27306535	2
CU-500 FRONT PANEL	WOO27306536	1
SAUNA DOOR HANDLE	WOO27100885	1
CU-500 TOP PANEL	WOO27306537	1
CU-500 BOTTOM PANEL	WOO27306538	1
CU-500 BENCH	WOO27306539	1
CU-500 BENCH-BACK REST	WOO27306540	1
CU-500 BENCH SUPPORT	WOO27306541	1
2 X 2 X 82.5 CORNER CONNECTOR	WOO27106842	5
SAUNA HEATER GUARD	WOO27101211	1
BASE HEATER SAUNA 10 X 16	WOO27306391	1
SAUNA HEATER 8.0 kW 240 V	HEA14000380	1
SAUNA LIGHT	LIT16000020	1
SCREW 8 X 2 1/2" SQ. DRIVE	HAR13201150	50
SCREW 8 X 1 5/8" PHILLIP	HAR13200010	50
WARRANTY & REGISTRATION CARD	LTR17001970	1

## CU-600

<u>Description</u>	<u>Part Number</u>	<u>Quantity</u>
CU-600 SIDE PANEL	WOO27306542	2
CU-600 CORNER PANEL	WOO27306543	2
CU-600 FRONT PANEL	WOO27306544	1

SAUNA DOOR HANDLE	WOO27100885	1
CU-600 TOP PANEL	WOO27306545	1
CU-600 BOTTOM PANEL	WOO27306546	1
CU-600 BENCH	WOO27306547	1
CU-600 BENCH-BACK REST	WOO27306548	1
CU-600 BENCH SUPPORT	WOO27306549	1
2 X 2 X 82.5 CORNER CONNECTOR	WOO27106842	5
SAUNA HEATER GUARD	WOO27101211	1
BASE HEATER SAUNA 10 X 16	WOO27306391	1
SAUNA HEATER 8.0 kW 240 V	HEA14000380	1
SAUNA LIGHT	LIT16000020	1
SCREW 8 X 2 1/2" SQ. DRIVE	HAR13201150	50
SCREW 8 X 1 5/8" PHILLIP	HAR13200010	50
WARRANTY & REGISTRATION CARD	LTR17001970	1

## CU-700

<u>Description</u>	<u>Part Number</u>	<u>Quantity</u>
SIDE PANEL 81" X 83"	WOO27306472	3
CU-700 FRONT PANEL	WOO27306550	1
SAUNA DOOR HANDLE	WOO27100885	1
TOP PANEL 84" X 84"	WOO27306551	1
BOTTOM PANEL 84" X 84"	WOO27306552	1
CU-700 BENCH	WOO27306553	1
CU-700 BENCH-BACK REST	WOO27306554	1
CU-700 BENCH SUPPORT	WOO27306555	1
2 X 2 X 82.5 CORNER CONNECTOR	WOO27106842	5
SAUNA HEATER GUARD	WOO27101211	1
BASE HEATER SAUNA 10 X 16	WOO27306391	1
SAUNA HEATER 8.0 kW 240 V	HEA14000380	1
SAUNA LIGHT	LIT16000020	1
SCREW 8 X 2 1/2" SQ. DRIVE	HAR13201150	50
SCREW 8 X 1 5/8" PHILLIP	HAR13200010	50
WARRANTY & REGISTRATION CARD	LTR17001970	1

## CU-800

<u>Description</u>	<u>Part Number</u>	<u>Quantity</u>
CU-800 SIDE PANEL	WOO27306556	2
CU-800 BACK PANEL	WOO27306557	1
CU-800 CORNER PANELS	WOO27306558	2
CU-800 FRONT PANEL	WOO27306559	1
SAUNA DOOR HANDLE	WOO27100885	1
CU-800 TOP PANEL	WOO27306560	1
CU-800 BOTTOM PANEL	WOO27306561	1
CU-800 BENCH	WOO27306562	1
CU-800 BENCH-BACK REST	WOO27306563	1
CU-800 BENCH SUPPORT	WOO27306564	1
2 X 2 X 82.5 CORNER CONNECTOR	WOO27106842	5
SAUNA HEATER GUARD	WOO27101211	1
BASE HEATER SAUNA 10 X 16	WOO27306391	1
SAUNA HEATER 8.0 kW 240 V	HEA14000380	1
SAUNA LIGHT	LIT16000020	1
SCREW 8 X 2 1/2" SQ. DRIVE	HAR13201150	50
SCREW 8 X 1 5/8" PHILLIP	HAR13200010	50
WARRANTY & REGISTRATION CARD	LTR17001970	1

## HO-100

## Appendix

<u>Description</u>	<u>Part Number</u>	<u>Quantity</u>
SIDE PANEL 45 X 83"	WOO27306232	2
FRONT PANEL 45 X 83"	WOO27306230	1
SAUNA DOOR HANDLE	WOO27100885	1
BACK PANEL 45 X 83	WOO27306229	1
TOP PANEL 48 X 48	WOO27306228	1
BOTTOM PANEL 48 X 45	WOO27306227	1
TOP BENCH 19.5 X 44.5	WOO27306225	1
BENCH SUPPORT 16 1/2 X 16 1/2	WOO27306236	2
2 X 2 X 82.5 CORNER CONNECTOR	WOO27106842	4
SAUNA HEATER GUARD	WOO27101211	1
BASE HEATER SAUNA 10 X 16	WOO27306391	1
SAUNA HEATER 6.0 KW 240 V	HEA14000380	1
SAUNA LIGHT	LIT16000020	1
SCREW 8 X 2 1/2" SQ. DRIVE	HAR13201150	50
SCREW 8 X 1 5/8" PHILLIP	HAR13200010	50
WARRANTY & REGISTRATION CARD	LTR17001970	1

## HO-200

<u>Description</u>	<u>Part Number</u>	<u>Quantity</u>
SIDE PANEL 45 X 83"	WOO27100213	2
FRONT PANEL 69 X 83	WOO27100210	1
BACK PANEL 69 X 83	WOO27100212	1
TOP PANEL 48 X 72	WOO27100214	1
FLOOR PANEL 44 3/4 X 68 3/4	WOO27100206	1
INSIDE ROOF FRAME	WOO27306239	1
OUTSIDE ROOF FRAME	WOO27100215	1
BENCH TOP 19 1/2 X 68 1/2	WOO27100216	2
BENCH TOP 23 X 19 1/2	WOO27100217	1
BENCH LEG 16 1/2 X 16 1/2	WOO27100218	1
2 X 2 X 82.5 CORNER CONNECTOR	WOO27106842	2
SAUNA HEATER 8.0KW 240V	HEA14000380	1
HEATER GUARD	WOO27100274	1
HEATER BASE	WOO27100273	1
SCREW 8 X 2 1/2 SQ. DRIVE	HAR13201150	50
SCREW 8 X 1 5/8" PHILLIP	HAR13200010	50
WARRANTY & REGISTRATION CARD	LTR17001970	1

## HO-300

<u>Description</u>	<u>Part Number</u>	<u>Quantity</u>
SIDE PANEL 45 X 83"	WOO27306232	2
FRONT PANEL 81 X 83	WOO27100224	1
BACK PANEL 48 X 83	WOO27306229	1
TOP PANEL 48 X 48	WOO27306228	1
BOTTOM PANEL 45 X 45	WOO27306227	1
BENCH TOP 15.5 X 68	WOO27306226	1
BENCH TOP 19.5 X 44.5	WOO27306225	1
BENCH SUPPORT 16 1/2 X 16 1/2	WOO27306236	2
2 X 2 X 82.5 CORNER CONNECTOR	WOO27106842	4
SAUNA HEATER GUARD	WOO27101211	1
SAUNA HEATER BASE	WOO27306391	1
HEATER 8 KW 240V	HEA14000380	1
SAUNA DOOR HANDLE	WOO27100885	1
1 X 2 X 49.25 OUTSIDE FRAME	WOO27306714	1
SAUNA LIGHT	LIT16000020	1
SCREW 8 X 2 1/2 SQ DRIVE	HAR13201150	50

SCREW 8 X 1 5/8 PHILLIP	HAR13200010	50
WARRANTY & REGISTRATION CARD	LTR17001970	1

**HO-400**

<u>Description</u>	<u>Part Number</u>	<u>Quantity</u>
SIDE PANEL 69 X 83	WOO27306483	2
FRONT PANEL 69 X 83	WOO27306233	1
BACK PANEL 69 X 83	WOO27306416	1
TOP PANEL 72 X 72	WOO27306364	1
BOTTOM PANEL 69 X 69	WOO27306323	1
BENCH TOP 19.5 X 68	WOO27306295	1
BACK BENCH 15.5 X 68.5	WOO27306370	1
BOTTOM BENCH 19.5 X 68.5	WOO27306325	1
BOTTOM BENCH 19.5 X 29	WOO27306326	1
BENCH SUPPORT	WOO27400099	3
BENCH SUPPORT 16 1/2 X 16 1/2	WOO27306236	2
SAUNA DOOR HANDLE	WOO27100885	1
2 X 2 X 82.5 CORNER CONNECTOR	WOO27106842	4
1 X 2 X 68 7/8 INSIDE FRAME	WOO27306703	2
1 X 2 X 67 5/8 INSIDE FRAME	WOO27306704	2
1 X 2 X 73 1/4 OUTSIDE FRAME	WOO27306865	2
1 X 2 X 72 ASPEN	WOO27306844	2
SAUNA HEATER BASE	WOO27306391	1
SAUNA HEATER GUARD	WOO27101211	1
HEATER 8.0KW 240V	HEA14000380	1
SAUNA LIGHT	LIT16000020	1
SCREW 8 X 1 5/8 PHILLIPS	HAR13200010	50
SCREW 8 X 2 1/2 SQ DRIVE	HAR13201150	50
WARRANTY & REGISTRATION CARD	LTR17001970	1

**HO-500**

<u>Description</u>	<u>Part Number</u>	<u>Quantity</u>
SIDE PANEL 69 X 83	WOO27306483	2
FRONT PANEL 83 X 93	WOO27100245	1
BACK PANEL 83 X 93	WOO27100249	1
TOP PANEL 72 X 96	WOO27306352	1
BOTTOM PANEL 69 X 93	WOO27306347	1
BENCH TOP 19.5 X 92 1/2	WOO27400147	1
BACK BENCH 15.5 X 92 1/2	WOO27400084	1
BOTTOM BENCH 19.5 X 92 1/2	WOO27400148	1
BENCH SUPPORT	WOO27400101	3
BENCH SUPPORT	WOO27100272	2
2 X 2 X 83 CONNECTORS	WOO27306279	4
SAUNA HEATER BASE	WOO27100231	1
SAUNA HEATER GUARD	WOO27100232	1
HEATER 8.0KW 240V	HEA14000380	1
SAUNA LIGHT	LIT16000020	1
SAUNA DOOR HANDLE	WOO27100885	1
SCREW 8 X 2 1/2 SQ DRIVE	HAR13201150	50
SCREW 8 X 1 5/8 PHILLIPS	HAR13200010	50
WARRANTY & REGISTRATION CARD	LTR17001970	1

**HO-600**

<u>Description</u>	<u>Part Number</u>	<u>Quantity</u>
SIDE PANEL (R) 83 X 51.75 W/WINDOW	WOO27306484	1
SIDE PANEL (L) 83 X 51.75 ELECTRICAL	WOO27306485	1

## Appendix

BACK PANEL W/VENT 83 X 81	WOO27306443	1
BACK PANEL 83 X 81	WOO27306414	1
DOOR PANEL 83 X 39	WOO27100284	1
TOP PANEL 84 X 84	WOO27306362	1
BOTTOM PANEL 81 X 81	WOO27306321	1
SAUNA DOOR HANDLE	WOO27100885	1
TOP BENCH 19.5 X 80.5	WOO27306363	1
TOP BENCH 19.5 X 63	WOO27306365	1
BACK BENCH 15 1/2 X 80 1/2	WOO27400094	1
BACK BENCH 15 1/2 X 63	WOO27306275	1
BOTTOM BENCH 19 1/2 X 40	WOO27306276	1
BENCH SUPPORT 30 X 16 1/2	WOO27306299	5
BENCH SUPPORT SMALL 12 X 16 1/2	WOO27306302	1
2 X 2 X 82.5 CORNER CONNECTOR	WOO27106842	3
2 X 3 X 82" WW BTR	WOO27201821	2
1 X 3 X 80 INSIDE FRAME CONNECTOR	WOO27507241	2
1 X 2 3/4 X 82 OUTSIDE FRAME CONNECTOR	WOO27507242	2
SAUNA HEATER BASE	WOO27306391	1
SAUNA HEATER GUARD	WOO27101211	1
HEATER 8KW 240V	HEA14000380	1
1 X 2 X 80 7/8 INSIDE ROOF FRAME	WOO27306724	1
1 X 2 X 80 1/4	WOO27306867	1
1 X 2 X 50.5 INSIDE ROOF FRAME	WOO27306725	1
1 X 2 X 37 1/2 INSIDE ROOF FRAME	WOO27306710	1
SCREW 8 X 2 1/2 SQ DRIVE	HAR13201150	50
SCREW 8 X 1 5/8 PHILLIPS	HAR13200010	50
WARRANTY & REGISTRATION CARD	LTR17001970	1

## HO-700

<u>Description</u>	<u>Part Number</u>	<u>Quantity</u>
SIDE PANEL 93 X 83	WOO27306207	2
FRONT PANEL 93 X 83	WOO27306205	1
BACK PANEL 93 X 83	WOO27306206	1
TOP PANEL 96 X 96	WOO27306208	1
BOTTOM PANEL 93 X 93	WOO27306209	1
SAUNA DOOR HANDLE	WOO27100885	1
INSIDE ROOF MOLDING	WOO27101747	4
TOP BENCH 19.5 X 91.5	WOO27306274	1
BACK BENCH 15.5 X 91.5	WOO27306273	1
BOTTOM BENCH 15.5 X 91.5	WOO27306272	5
BENCH SUPPORT	WOO27306278	1
TOP BENCH 19.5 X 73	WOO27306271	1
BACK BENCH 15.5 X 57 1/4	WOO27306270	1
BOTTOM BENCH 15.5 X 73	WOO27306269	4
2 X 2 X 83 CONNECTORS	WOO27306279	1
2 X 4 X 21 HEATER GUARD	WOO27101212	1
2 X 4 X 16 HEATER GUARD	WOO27101213	1
SAUNA HEATER BASE	WOO27306390	1
SAUNA HEATER 8KW 240V	HEA14000380	1
SAUNA LIGHT	LIT16000020	1
SCREW 8 X 2 1/2 SQ. DRIVE	HAR13201150	50
SCREW 8 X 1 5/8 PHILLIP	HAR13200010	50
WARRANTY & REGISTRATION CARD	LTR17001970	1

## HO-800

<u>Description</u>	<u>Part Number</u>	<u>Quantity</u>
--------------------	--------------------	-----------------

SIDE PANEL 93 X 83	WOO27306207	2
FRONT PANEL 141 X 83	WOO27306353	1
BACK PANEL 141 X 83	WOO27306354	1
TOP PANEL 144 X 96	WOO27306371	1
BOTTOM PANEL 93 X 93	WOO27306209	1
TOP BENCH 19.5 X 91.5	WOO27306274	1
BENCH TOP 140 1/2 X 19.5	WOO27100244	1
BENCH BACK 140 1/2 X 15.5	WOO27100243	5
BENCH BOTTOM 140 1/2 X 19.5	WOO27100242	1
TOP BENCH 19.5 X 73	WOO27306271	1
BACK BENCH 15.5 X 57 1/4	WOO27306270	1
BOTTOM BENCH 15.5 X 73	WOO27306269	4
2 X 2 X 83 CONNECTORS	WOO27306279	1
2 X 4 X 21 HEATER GUARD	WOO27101212	1
2 X 4 X 16 HEATER GUARD	WOO27101213	1
2 X 2 - L - HEATER GUARD	WOO27301214	2
SAUNA HEATER BASE	WOO27306390	1
HEATER 8KW 240V	HEA14000380	1
INSIDE ROOF MOLDING 1 X 2 X 93	WOO27101747	4
SAUNA LIGHT	LIT16000020	1
SCREW 8 X 2 1/2 SQ. DRIVE	HAR13201150	50
SCREW 8 X 1 5/8 PHILLIP	HAR13200010	50
WARRANTY & REGISTRATION CARD	LTR17001970	1

## IR-100

<u>Description</u>	<u>Part Number</u>	<u>Quantity</u>
Front Panel, 48"x71", Aspen	W0027100275	1
Sauna Light (purchased complete)	LIT16000020	1
Door Panel, 23"x66 1/2", Aspen	W0027100289	1
SAUNA DOOR HANDLE	WOO27100885	1
Back Panel, 48"x71", Aspen	W0027100276	1
Side Panel (right), 41 1/2"x71", Aspen	W0027100278	1
Side Panel (left), 41 1/2"x71", Aspen	W0027100277	1
Bench Leg Panel, w/heater, 19 1/2"x41 1/4", Aspen	W0027100294	1
Top Bench, 19 1/2"x41 1/4", Aspen	W0027100295	1
Bench Top, 7 1/2"x21 3/4", Aspen	W0027100296	1
Bench Leg Panel, 19 1/2"x21 3/4", Aspen	W0027100297	1
Bench Leg Support, 16 1/2"x19 1/2", Aspen	W0027100298	2
Bench Leg Support, 2"x19 1/2", Aspen	W0027100299	1
Inside Frame, Roof, Aspen	W0027100291	2
Outside Frame, Roof, Aspen	W0027100290	2
Top Panel, 48"x48", Aspen	W0027100292	1
Bottom Panel, 41 1/4"x41 1/4", Aspen	W0027100293	1
Heater Assembly, Infrared, 20 AMP, 300W	ELE09850000	5
Heater Assembly, Infrared, 20 AMP, 200W	ELE09850001	1
Control System, Digital, Infrared, Chrome	ELE09850010	1
CD Player, AM/FM Cassette, Clarion Marine	ELE09300017	1
Clarion 4" Marine Speakers	ELE09300023	2

## IR-200

<u>Description</u>	<u>Part Number</u>	<u>Quantity</u>
Front Panel, Aspen	W0027100225	1

## Appendix

Sauna Light (purchased complete)	LIT16000020	1
Sauna Door Panel, Aspen	W0027100226	1
SAUNA DOOR HANDLE	W0027100885	1
Back Panel, 60"x71", Aspen	W0027100227	1
Side Panel (left), 41 1/2"x71", Aspen	W0027100250	1
Side Panel (right), 41 1/2"x71", Aspen	W0027100251	1
Bench Panel, 19 1/2"x53" w/Heater, Aspen	W0027100258	1
Bench Leg Support, 16 1/2"x19 1/2", Aspen	W0027100298	2
Bench Top, 19 1/2"x53 1/2", Aspen	W0027100253	1
Bench Top, 11 1/2"x21 3/4", Aspen	W0027100254	1
Bench Leg Support, 8 1/2"x19 1/2", Aspen	W0027100255	2
Bench Leg Panel, 19 1/2"x21 3/4", Aspen	W0027100297	1
Plugs, Flat, 3/8" Wood, Aspen	HAR13800320	5
Top Panel, 48"x60", Aspen	W0027100252	1
Bottom Panel, 41 1/4"x53 1/4", Aspen	W0027100259	1
Heater Assembly, Infrared, 20 AMP, 300W	ELE09850000	5
Heater Assembly, Infrared, 20 AMP, 200W	ELE09850001	1
Control System, Digital, Infrared, Chrome	ELE09850010	1
CD Player, AM/FM Cassette, Clarion Marine	ELE09300017	1
Clarion 4" Marine Speakers	ELE09300023	2

### OD-100

<u>Description</u>	<u>Part Number</u>	<u>Quantity</u>
Front Panel, 69"x83", Aspen	W0027100201	1
Sauna Light (purchased complete)	LIT16000020	1
Door Panel, 69"x83", Aspen	W0027100204	1
Sauna Door Handle	W0027100885	1
Back Panel, 69"x83", Aspen	W0027100202	1
Side Panel, 45"x83", Aspen	W0027100203	1
Top Bench, 19 1/2"x68", Aspen - H667	W0027306295	1
Top Bench, 19 1/2"x25", Aspen - H667	W0027306235	1
Bench Support (Leg x 4), 16 1/2"x16 1/2", Aspen	W0027306236	4
Corner Connection, 2"x2"x82.5", Aspen	W0027106842	4
Plugs, Flat, 3/8" Wood, Aspen	HAR13800320	6
Sauna Heater Base, 10"x16", Aspen	W0027306391	1
Inside Frame, Roof, Aspen C467, S500, S200	W0027306239	2
Outside Frame, Roof, 1"x2"x28", Aspen, C467, S500	W0027306240	2
Sauna Heater Guard, Aspen	W0027101211	1
Top Panel, 48"x72", Aspen	W0027100205	1
Sauna Composition Roof, Extreme	W0027200381	1
6' Gable End, Extreme Classic Sauna	W0027211452	2
Sauna Heater, 8.0kW 240V	HEA14000380	1
CD Player, AM/FM Cassette, Clarion Marine	ELE09300017	1
Clarion 4" Marine Speakers	ELE09300023	2

### OD-200

<u>Description</u>	<u>Part Number</u>	<u>Quantity</u>
Front Panel, 83"x93" Extreme, Aspen	W0027100190	1
Sauna Light (purchased complete)	LIT16000020	1

Sauna Door, Extreme, Aspen	W0027100196	1
Back Panel, 83"x93", Extreme, Aspen	W0027100192	1
Side Panel, 57"x83", Extreme, Aspen	W0027100191	1
5"X8" Bench Top, 19 1/2"x92 1/2" WW BTR, Aspen	W0027400147	1
Back Bench, 15 1/2"x92 1/2" Sauna (587, S400), Aspen	W0027400084	1
Bench Bottom, 19 1/2"x92 1/2", Sauna WWBTR, Aspen	W0027400148	1
Bench Support, 16 1/2"x34", Extreme, Aspen	W0027100193	3
Top Bench, 19 1/2"X17", Sauna, Aspen	W0027100234	1
Bench Support, Aspen	W0027100272	2
2"X2"X83" Connector, Aspen (887, S400)	W0027306279	4
Outside Connector Frame, Roof, Aspen	W0027306203	2
Inside Frame, Roof, Extreme, Aspen	W0027100194	1
Outside Frame, Roof, Extreme, Aspen	W0027100195	1
Sauna Heater Guard, Aspen	W0027100232	1
Base Heater, Sauna, Aspen	W0027100231	1
Top Panel, 60"x96", Sauna, Aspen	W0027100230	1
5"X8" Composition Roof Top	W0027211493	2
Bottom Panel, 57"x93", Sauna, Aspen	W0027100228	1
Sauna Heater, 8.0kW 240V	HEA14000380	1
CD Player, AM/FM Cassette, Clarion Marine	ELE09300017	1
Clarion 4" Marine Speakers	ELE09300023	2

---

## **Warranty Information**

See your Cal Heat Sauna dealer for a copy of the applicable warranty, details and any questions you may have regarding the warranty coverage on your sauna.

### **Warranty Limitations**

The Limited Warranty is void if the sauna has been subject to negligence, alteration, misuse, abuse, repairs by non- C.A.I. authorized representatives, incorrect electrical installation, acts of God and any other cases beyond the control of C.A.I. Examples of common acts invalidating this warranty include but are not limited to:

- Use of the sauna in a non-residential application.
- Scratches caused by normal use.
- Damage caused by extreme weather conditions. (Hot, Cold, etc.)
- Damage caused by dirt, sand, and/or water damage.
- Damage caused by continuous operation of the sauna with either known or unknown problems.
- Damage caused by direct sunlight.
- Damage caused as a result of failure to follow the operating instructions as defined in this Owner's Manual.
- Damage caused by incorrect electrical installation, electrical brown outs, voltage spikes, or operation of sauna out of voltage range by more than +/- 10%.

This Limited Warranty applies only to saunas normally used for personal, family, or household purposes. This Limited Warranty specifically excludes commercial saunas.

### **Warranty Exclusions**

C.A.I. warrants the heater from defects in material and workmanship for a period of one year from the original date of purchase.

Sauna stereo systems are delivered with their own manufacture warranty. For more information, please see their warranties in the owner's information package that was delivered with your sauna for more information.







# 2006 WARRANTY

This limited warranty is effective for gazebos and saunas manufactured after November 1, 2005.

**5**  
YEARS

## 5 Year Sauna Structural

C.A.I. warrants its Extreme Outdoor Saunas exterior siding against defects in materials and workmanship for a period of 5 years from the date of purchase. All other Extreme Outdoor Sauna components are warranted against defects in materials and workmanship for a period of one year from the original date of purchase. Seasonal checking and surface cracks are not considered defects in material or workmanship as they are normal characteristics of all wood.

**1**  
YEAR

## 1 Year Sauna Structural

C.A.I. warrants its saunas against defects in materials and workmanship for a period of one year from the original date of purchase. Seasonal checking and surface cracks are not considered defects in material or workmanship as they are normal characteristics of all wood.

**3**  
YEARS

## 3 Year Gazebo

C.A.I. warrants Cal Select against defects and workmanship, warping, and discoloration for a period of 3 years. All other gazebo materials are warranted for a period of 90 days. Checking and surface cracks are not considered defects, as they are normal characteristics of wood.

**1**  
YEAR

## 1 Year Sauna Equipment

C.A.I. warrants factory installed equipment: sauna heater, control system, and L.E.D. light source against defects in material and workmanship for a period of one year from the original date of purchase.

## Extent of Warranty

This limited warranty applies only to products delivered in the continental United States or Canada and extends to the original purchaser at the original site of installation only. This warranty becomes valid at time of purchase and terminates either by specified time-frame listed above, owner transfer, or relocation.

## Manufacturer Warranty

All Cal Heat Saunas and Cal Enclosures Gazebos are manufactured with the highest quality appliances and are warranted to be free from defect in material and workmanship at the time of delivery. The appliance warranty is extended through the manufacturer of the product including, but not limited to: televisions, stereos, DVD players, etc.

## Warranty Limitations

This warranty does not apply if the gazebo or sauna has been subject to negligence, alteration, misuse, abuse, repairs by non-C.A.I. authorized representatives, incorrect installation, acts of God, or any other causes beyond the control of C.A.I. Examples of common acts invalidating this warranty include but are not limited to:

- \* Failure to use a wood preservative (e.g., linseed oil)
- \* Use of lacquer or paints
- \* Gazebos and sauna accessories placed on non-approved surfaces. See owner's manual for more information.
- \* Outdoor applications (except Extreme Outdoor Saunas)
- \* Normal wear and tear or weathering

## Customer Service

For customer service, contact the authorized selling dealer immediately. If you need additional information or assistance, please contact the C.A.I. Customer Relations Department at 1462 E. Ninth St., Pomona, CA 91766 or call (800) 225-7727.

## Wood Accessories Warranties

C.A.I. warrants steps, bars, barstools, planter boxes, towel racks, and other small accessories against defects in material and workmanship at the time of delivery. Seasonal checking and surface cracks are not considered defects in material or workmanship, as they are normal characteristics of all wood.

## Legal Remedies

This limited warranty gives you specific legal rights. You may have other rights, which may vary from state to state.

## Warranty Performance

In the event of a malfunction or defect covered under the terms of this warranty, a factory authorized service agent of C.A.I. will perform the necessary repairs. To obtain service, contact the selling dealer. In the event the consumer is unable to obtain satisfactory customer service from the selling dealer or service agent, written notification must be given to the C.A.I. Customer Relations Department within 10 days of the reported failure. There will be no charge for parts or labor on a covered item. However, the service agent may assess a reasonable travel or mileage charge per service call. If C.A.I. determines that repair of a covered item is not feasible, C.A.I. reserves the right to replace the defective merchandise with merchandise equal in value to the original purchase price. In the event of any warranty replacement, all removal, replacement, installation and shipping costs are the responsibility of the spa owner.

## Disclaimers

C.A.I. shall not be liable for loss of use of the gazebo or sauna or other incidental or consequential costs, expense or damages, which may include but be limited to removal of permanent deck or other custom fixtures or the necessity for crane removal. Any implied warranty shall have duration equal of the applicable warranty stated above. Under no circumstances shall C.A.I. or any of its representatives be held liable for injury to any person or damage to any property, however arising.

This limited warranty applies only to the aforementioned products normally used for personal, family, or household purposes.



**Please make a record of the following.  
It will be valuable if service is required.**

Sauna Model: \_\_\_\_\_

SaunaSerial Number: \_\_\_\_\_

Date Purchased: \_\_\_\_\_

Date Installed: \_\_\_\_\_

Dealer's Phone Number: \_\_\_\_\_

Dealer's Address: \_\_\_\_\_



C.A.I. Customer Service Department  
1462 East Ninth Street  
Pomona, CA 91766

Toll Free: 1-800-CAL-SPAS  
Fax: 1-909-629-3890

**[www.calspas.com](http://www.calspas.com)**