



2006 Owner's Manual

Manufactured after December 1, 2005
© 2006 California Acrylic Industries, Inc.

www.calspas.com



Due to our continuous improvement programs, all models, operation, and/or specifications are subject to change without prior notice.





CONTACT INFORMATION

For customer service, please contact your authorized dealer immediately. If you need additional information and/or assistance, please contact:

C.A.I. Customer Service Department
1462 East Ninth Street
Pomona, CA 91766

Toll Free: 1-800-CAL-SPAS
Fax: 1-909-629-3890

www.calspas.com

Copyright 2004, 2005, 2006 California Acrylic Industries, Inc. All rights reserved. Duplication without written consent is strictly prohibited.

Cal Spas™ and Cal Enclosures™ are registered trademarks.

Due to continuous improvement programs, all models, operation, and/or specifications are subject to change without prior notice.

LTR20061035, Rev. A

11/30/2005

Table of Contents

Read This First!

General Safety Precautions 1

Delivery and Set-Up

Planning the Best Location for Your Patio kit 2

Preparing a Good Foundation 2

Patio Assembly

Tools and Materials 4

Procedure 4

Maintenance and Care

Cleaning 8

Maintenance 8

Appendix

Warranty Information 9

Read This First!

General Safety Precautions

Carefully read and follow all safety instructions.

1. When installing and assembling your patio kit, it is recommended that two or more people be involved.
2. Do not use the unit during an electrical storm.
3. Do not climb on top of the patio kit. While the patio kit is made out of high-quality material and is extremely durable, it is not meant to support weight. In addition, falling off of the patio kit while climbing on it can result in serious injury or death.
4. Do not attempt any repair without consulting the manufacturer first. Unauthorized repairs will void the manufacturer's warranty (within the first 90 days).

Delivery and Set-Up

Planning the Best Location for Your Patio kit

Most cities and counties require permits for exterior construction and electrical circuits. In addition, some communities have codes requiring residential barriers such as fencing and/or self-closing gates on property to prevent unsupervised access to the property by children under the age of five. Your dealer can provide information on which permits may be required and how to obtain them prior to the delivery of your equipment.

The following are some of the things that you will need to consider when determining the placement of your new patio kit.

Consider How You Will Use Your Patio Kit

How you intend to use your patio kit will help you determine where you should position it. For example, will you use your patio kit for recreational purposes? If your patio kit is mainly used for family functions, be sure to leave plenty of room around it for activity.

Consider Your Privacy

In a cold weather climate, bare trees won't provide much privacy. Think of your patio kit's surroundings during all seasons to determine your best privacy options. Consider the view of your neighbors as well, when you plan the location of your patio kit.

Provide A View With Your Patio

Think about the direction you will be facing when sitting in your patio kit. Do you have a special landscaped area in your yard that you find enjoyable? Perhaps there is an area that catches a soothing breeze during the day and lovely sunset in the evening. Consider these things when you plan your location.

Preparing a Good Foundation

Your patio kit needs a solid and level foundation. The area that it sits on must be able to support the weight of the patio kit and the occupants who use it. If the foundation is inadequate, it may shift or settle after the patio kit is in place, causing stress that could **DAMAGE YOUR PATIO KIT**.

Place the patio kit on an elevated foundation (preferably a 3" concrete slab). Be sure that the concrete slab is at least 12" wider than the outside dimension on the patio kit.

* -If you are installing a spa on an elevated wood deck or other structure, we strongly recommend that you consult a structural engineer or contractor to ensure the structure will support the weight of 150 Lbs./ sq. ft.

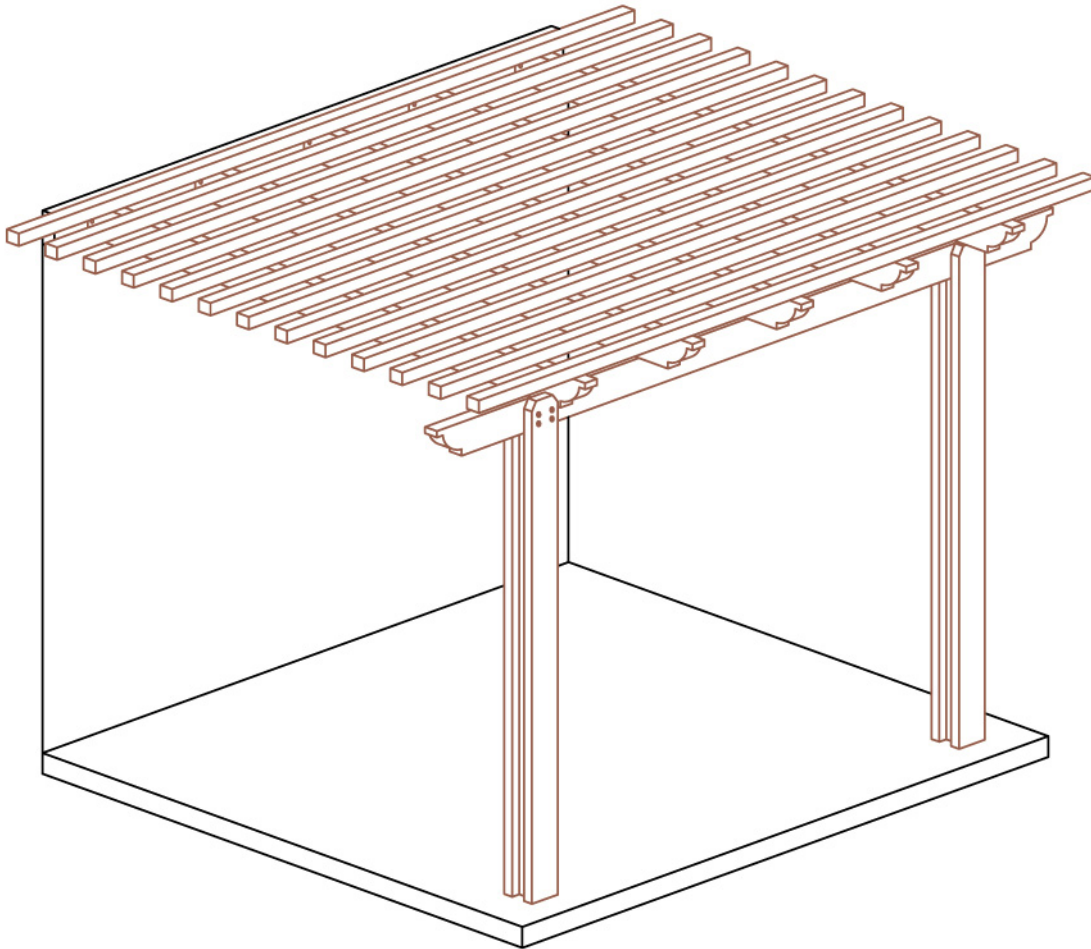
* It is strongly recommended that a qualified, licensed contractor prepare the foundation for your patio kit.

Your Cal Enclosures Retailer Can Help You With Foundations And More

Your retailer has a wealth of information and experience about how to get the most out of your patio kit. Your patio kit retailer also has a full line of accessories that are engineered to compliment your patio kit.

Size Specifications

Model Length	Width	Length
Patio Sizes	12'	8'
	12'	10'
	14'	8'
	14'	10'
	16'	10'
	16'	12'



NOTE: For all patio kits, regardless of model, it is recommended that the foundation extend beyond the dimension of the patio kit. For example, if the patio kit you purchased is 12'x12', you will want your foundation to be 14'x14'. The reason for this is because it will be easier to maintain the area around the patio kit (mowing the lawn, edging, etc.) without damaging or scarring the patio kit. Also, in doing this, you will eliminate any potential problems, foundation-wise, in the future.

Patio Assembly

The following information will tell you how to assembly your patio kit. If you have any questions, problems with material and/or parts, please contact your local retailer.

NOTE: It is strongly advised that you have a licensed professional install the foundation for your new patio kit. It is imperative that the foundation is level, as any damage that occurs due to an uneven foundation is not covered by the warranty.

When assembling the patio kit, the owner must determine what is the patio kit going to cover. If you plan to use it as a cover for patio furniture, then you can place the patio kit wherever you want it.

If the patio kit is going to cover a spa, we recommend that the spa be located in the center of the slab (for weight distribution) with the patio kit main supports mounted to the concrete at two of the four corners opposite the supporting wall.

1. Prior to delivery of your new Cal Spa and or Patio Kit, we recommend that you determine where your spa will be placed. For example: if you are going to center your spa on the concrete slab, take measurements that will enable you to determine where the edges of the spa will be located. When done, mark the corner locations.)
2. Upon delivery of your new Cal Spa, notify the installation crew that you have determined where you want the spa located.
3. After the spa has been installed and is operating, the assembly of the your new patio kit may begin.

IMPORTANT: THIS PATIO IS A FREE-STANDING UNIT. AS WITH ANY STRUCTURE, IT IS CRITICAL THAT ALL THE MAIN SUPPORT POSTS BE PLUMB (I.E., VERTICALLY LEVEL). IF THE FIRST MAIN SUPPORT POST IS NOT PLUMB, THEN THE ENTIRE PATIO WILL BE MISALIGNED. THE BEST WAY TO KEEP THE STRUCTURE LEVEL IS TO USE A LEVEL AFTER EACH TIME AN ITEM IS ATTACHED OR TIGHTENED. THIS WILL ENSURE THAT AFTER EACH MAJOR STEP IS TAKEN, THE PATIO REMAINS LEVEL.

Tools and Materials

Utility knife	25' tape measure	Cordless drill
100' extension cord	Electric drill	Phillips-head drill tips
1/8" pilot hole drill bit	9/16" socket	Slotted-head drill tips
Sandpaper (various grades)	Redwood stain	Wood putty
Gray wash stain	Rags	1/2" ratchet and impact drill
1/2" carbide drill bit (masonry bit)		

Procedure

Whether you assemble your patio kit yourself or hire someone to do it, your new patio kit needs to be assembled in a specific order. Our Cal Enclosures professionals have determined through their experience that this is the easiest way to assemble your patio kit.

Follow the written steps in conjunction with the figures that are shown.

NOTE: -The owner must use care when securing the wall panels and rounded corners together, as any damage incurred during assembly is not covered by the warranty.

1. Place aluminum “u” brackets 24” apart on center. Start from the center and work out from there. This is just an example and could be placed at any distance the customer sees fit.
2. Attach extruded aluminum piece with brackets to wall of house. Use a level to get optimum results.
3. Place center post in between the two side plates and attach with screws.

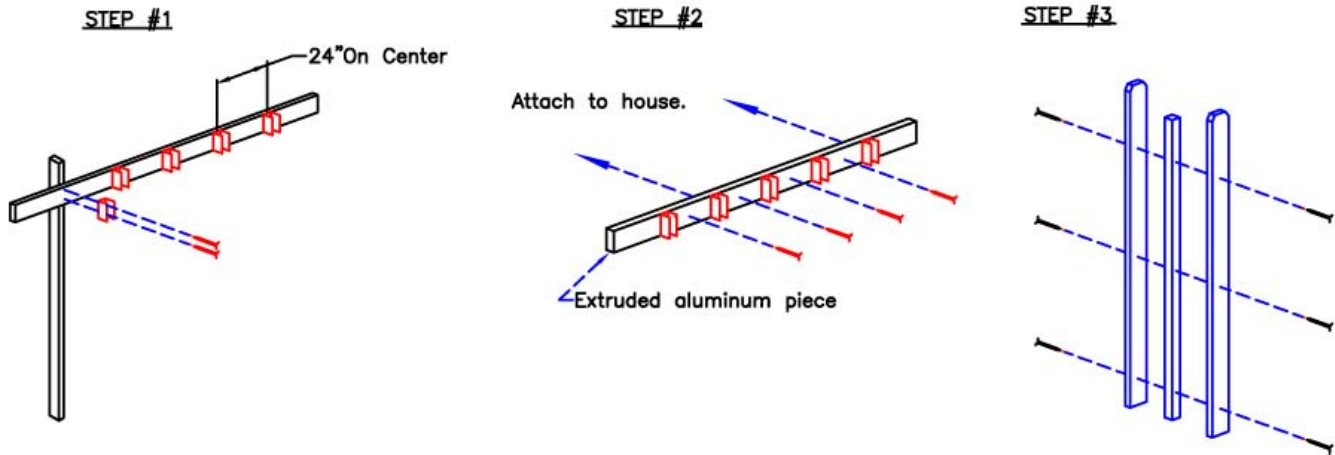


Figure 1

4. Lower beam onto anchor bracket and attach with screws as shown. (If your local construction laws require the supports to be anchored in the ground, see Figure 4 and Figure 5.)
5. Place cross beam on horizontal beams and attach with screws.

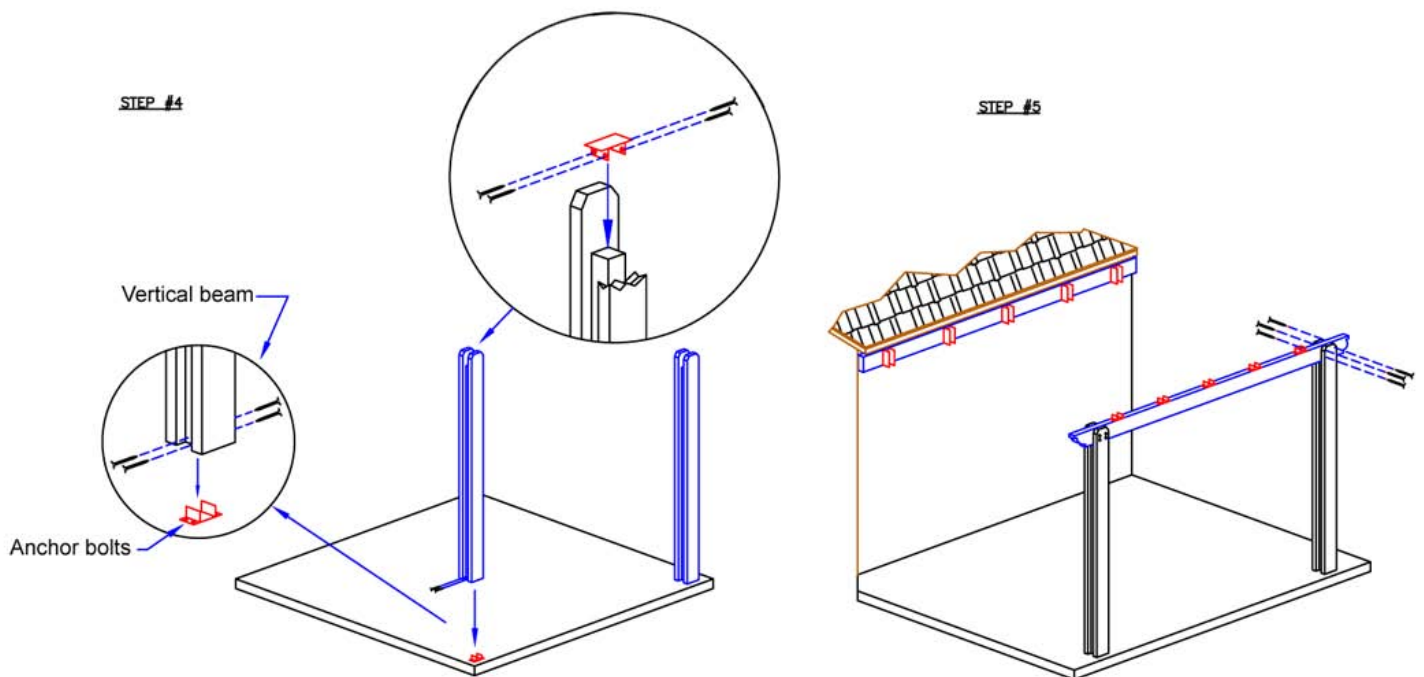


Figure 2

Patio Assembly

6. Place brackets on horizontal beam and attach with screws. Align brackets on beam with “u” brackets on beam attached to house.
7. Slide beam over the U bracket and use screws to attach the beam to the bracket. Use screws to attach beam to the U bracket on both sides of the beam.
8. Place lattice pieces on rafters and attach with screws.

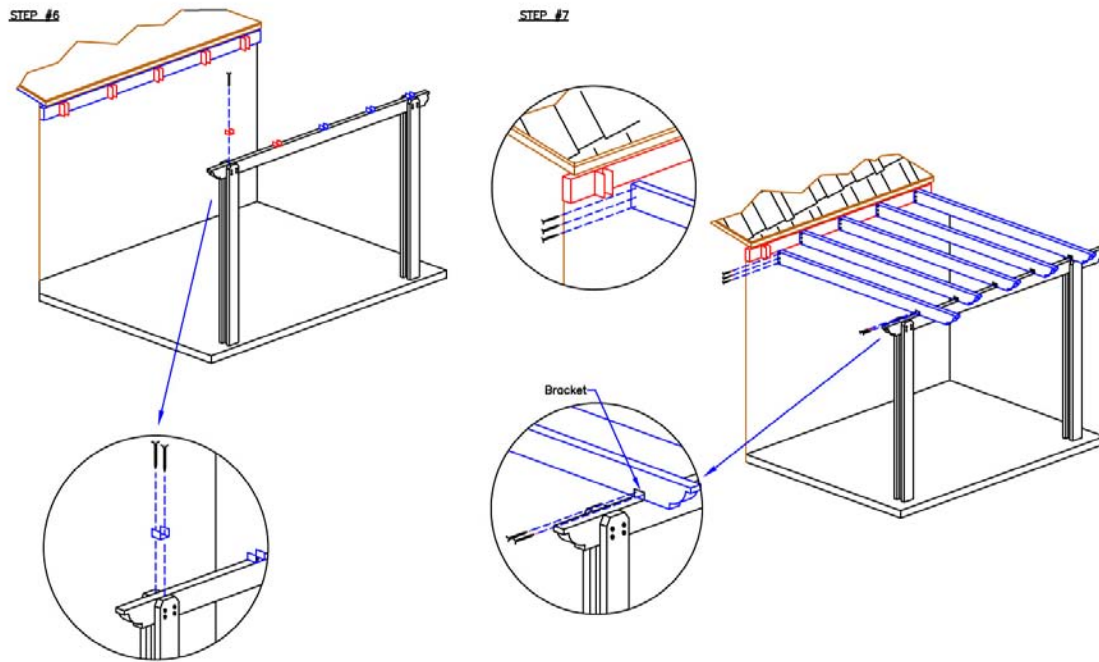


Figure 3

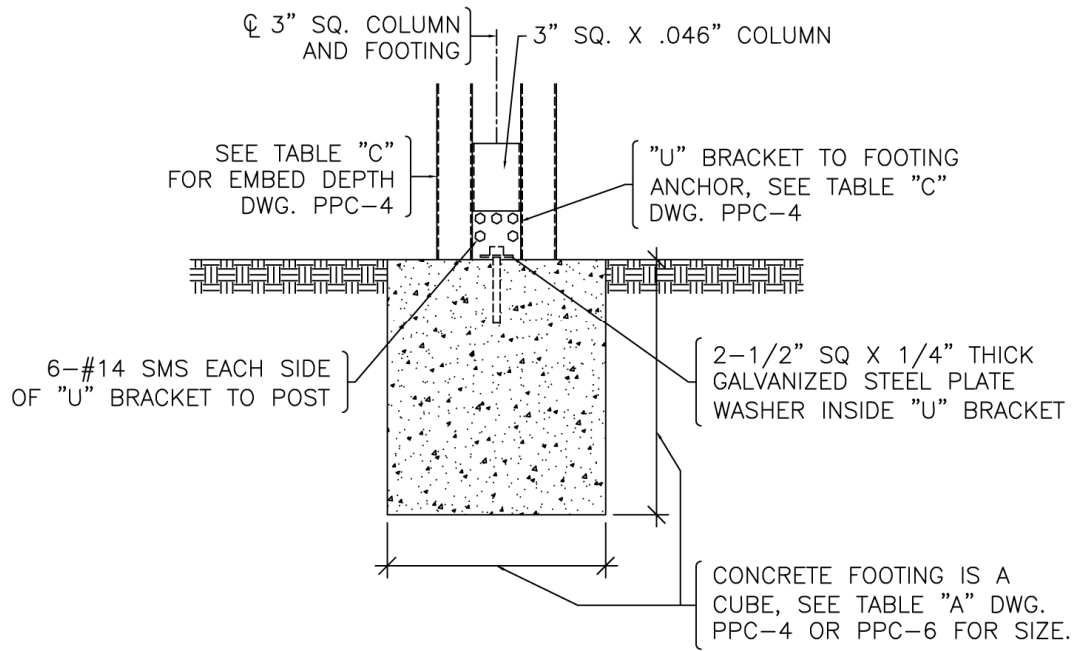


Figure 4

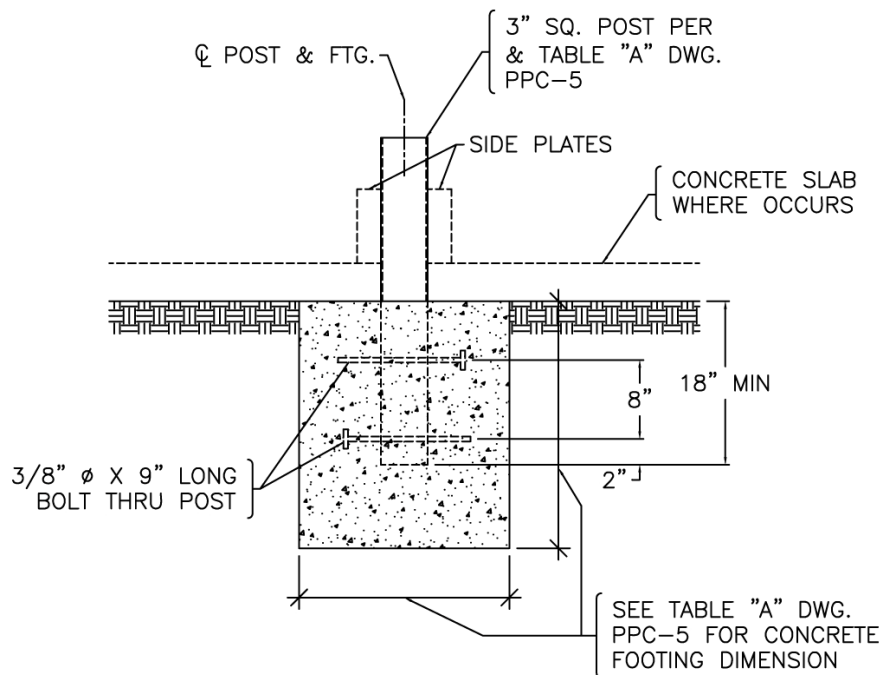


Figure 5

Maintenance and Care

Cleaning

Your patio kit was designed with low cleaning and maintenance in mind. We recommend that the patio kit be cleaned at least twice a month (or more, if needed). When cleaning your patio kit, do not use cleaning solvents - using a sponge and water will be fine. For ground-in dirt and grime, refer to the following section.

Maintenance

Maintaining your patio kit is an easy task. We recommend that every six months you inspect your patio kit. Tighten any screws that may have worked loose.

Appendix

Warranty Information

See your Cal Enclosures patio kit dealer for a copy of the applicable warranty, details and any questions you may have regarding the warranty coverage on your patio kit.

DON'T FORGET TO REGISTER YOUR NEW PRODUCT AT WWW.CALSPAS.COM.

**Please make a record of the following.
It will be valuable if service is required.**

Cal Spa Model:

Cal Spa Serial Number:

Date Purchased:

Date Installed:

Cal Spa Dealer's Phone Number:

Cal Spa Dealer's Address:

C.A.I. Customer Service Department
1462 East Ninth Street
Pomona, CA 91766

Toll Free: 1-800-CAL-SPAS
Fax: 1-909-629-3890

www.calspas.com