



2006 Owner's Manual

Manufactured after December 1, 2005
© 2006 California Acrylic Industries, Inc.

www.calspas.com

Spa Wrap Series:

- SW-100
- SW-200
- SW-300
- SW-400
- SW-500



Due to our continuous improvement programs, all models, operation, and/or specifications are subject to change without prior notice.





CONTACT INFORMATION

For customer service, please contact your authorized dealer immediately. If you need additional information and/or assistance, please contact:

C.A.I. Customer Service Department
1462 East Ninth Street
Pomona, CA 91766

Toll Free: 1-800-CAL-SPAS
Fax: 1-909-629-3890

www.calspas.com

Copyright 2004, 2005, 2006 California Acrylic Industries, Inc. All rights reserved. Duplication without written consent is strictly prohibited.

Cal Spas™ and Cal Enclosures™ are registered trademarks.

Due to continuous improvement programs, all models, operation, and/or specifications are subject to change without prior notice.

LTR20061032, Rev. A

11/30/2005

Table of Contents

Read This First!

General Safety Precautions 1

Delivery and Set-Up

Planning the Best Location for Your Spa Wrap..... 2

Preparing a Good Foundation 2

Spa Wrap Assembly

Tools and Materials 4

Assembly..... 4

Planning for and Using Your Spa Wrap Fireplace (SW-100)

Seam and Joint Finishing 7

Planning for and Using Your Spa Wrap Fireplace (SW-100)

LP Gas Requirements 9

Natural Gas Requirements..... 10

Testing for Leaks..... 11

Lighting Your Gas Fireplace..... 11

To Turn Off the Appliance 11

What To Do If You Smell Gas 12

Safety Information 12

Maintenance and Care

Maintaining Your Fireplace..... 14

Cleaning 14

Appendix

Replacement Parts..... 15

Warranty Information..... 16

Read This First!

General Safety Precautions

- Carefully read and follow all safety instructions.
- When installing and assembling your Spa Wrap, it is recommended that two or more people be involved.
- Do not use the unit during an electrical storm.
- Do not attempt any repair without consulting the manufacturer first. Unauthorized repairs will void the manufacturer's warranty (within the first 90 days).

Delivery and Set-Up

Planning the Best Location for Your Spa Wrap

Most cities and counties require permits for exterior construction and electrical circuits. In addition, some communities have codes requiring residential barriers such as fencing and/or self-closing gates on property to prevent unsupervised access to the property by children under the age of five. Your dealer can provide information on which permits may be required and how to obtain them prior to the delivery of your equipment.

The following are some of the things that you will need to consider when determining the placement of your new Spa Wrap.

Consider How You Will Use Your Spa Wrap

How you intend to use your Spa Wrap will help you determine where you should position it. For example, will you use your Spa Wrap for recreational purposes? If your Spa Wrap is mainly used for family functions, be sure to leave plenty of room around it for activity.

Consider Your Privacy

In a cold weather climate, bare trees won't provide much privacy. Think of your Spa Wraps surroundings during all seasons to determine your best privacy options. Consider the view of your neighbors as well, when you plan the location of your Spa Wrap.

Provide A View With Your Spa Wrap

Think about the direction you will be facing when sitting in your Spa Wrap. Do you have a special landscaped area in your yard that you find enjoyable? Perhaps there is an area that catches a soothing breeze during the day and lovely sunset in the evening. Consider these things when you plan your location.

Preparing a Good Foundation

Your Spa Wrap needs a solid and level foundation. The area that it sits on must be able to support the weight of the Spa Wrap and the occupants who use it. If the foundation is inadequate, it may shift or settle after the Spa Wrap is in place, causing stress that could **DAMAGE YOUR SPA WRAP**.

Place the Spa Wrap on an elevated foundation (preferably a 3" concrete slab). Be sure that the concrete slab is at least 12" wider than the outside dimension on the Spa Wrap.

- If you are installing a spa on an elevated wood deck or other structure, we strongly recommend that you consult a structural engineer or contractor to ensure the structure will support the weight of 150 Lbs./ sq. ft.
- It is strongly recommended that a qualified, licensed contractor prepare the foundation for your spa.

Your Cal Enclosures Retailer Can Help You With Foundations And More

Your retailer has a wealth of information and experience about how to get the most out of your Spa Wrap.

Size Specifications

Model	Length	Width	Height
SW-100	129"	159"	96"
SW-200	133"	152"	60"
SW-300	122"	149"	70"
SW-400	122"	133"	60"
SW-500	146"	140"	83"

NOTE: For all Spa Wraps, regardless of model, it is recommended that the foundation extend beyond the dimension of the Spa Wrap. For example, if the Spa Wrap you purchased is 12'x12', you will want your foundation to be 14'x14'. The reason for this is because it will be easier to maintain the area around the Spa Wrap (mowing the lawn, edging, etc.) without damaging or scarring the Spa Wrap. Also, in doing this, you will eliminate any potential problems, foundation-wise, in the future.

Spa Wrap Assembly

The following will tell you how to assemble your Spa Wrap. If you have any questions, problems with material and/or parts, please contact your local retailer.

NOTE: It is strongly advised that you have a licensed professional install the foundation for your new Spa Wrap. It is imperative that the foundation is level, as any damage that occurs due to an uneven foundation is not covered by the warranty.

If you are having a new spa delivered, we recommend that you determine, prior to its delivery, where your spa will be placed. For example: if you are going to center your spa on the concrete slab, take measurements that will enable you to determine where the edges of the spa will be located. When done, mark the corner locations. Upon delivery of your new Cal Spa, notify the installation crew that you have determined where you want the spa located.

After the spa has been installed and is operating, the assembly of the your new Spa Wrap may begin.

IMPORTANT: THIS SPA WRAP IS A FREE-STANDING UNIT. AS WITH ANY STRUCTURE, IT IS CRITICAL THAT ALL THE MAIN SUPPORT SURFACE BE LEVEL. IF THE MAIN SUPPORT SURFACE IS NOT LEVEL , THEN THE ENTIRE SPA AND SPA WRAP WILL BE MISALIGNED

Tools and Materials

Utility knife	25' tape measure	Cordless drill
100' extension cord	Electric drill	Phillips-head drill tips
1/8" pilot hole drill bit	9/16" socket	Slotted-head drill tips
Sandpaper (various grades)	Redwood stain	Wood putty
Gray wash stain	Rags	1/2" ratchet and impact drill
1/2" carbide drill bit (masonry bit)		

Assembly

After your Spa is professionally installed, clear the surrounding area for the installation of your spa wrap. If your spa is already in place and not a new unit, make sure the area surrounding your spa is suitable for a spa wrap install. The area (slab or deck area) should be level so the spa wrap fits correctly with the spa unit.

Carefully unpack the components and make sure your new spa wrap parts are arranged properly. Place each of the four spa wrap sections around the spa as shown in the exploded view (see Figure 1 and Figure 2).

If your unit has a fire place, see the instructions in the chapter "Planning for and Using Your Spa Wrap Fireplace (Model SW-100)".

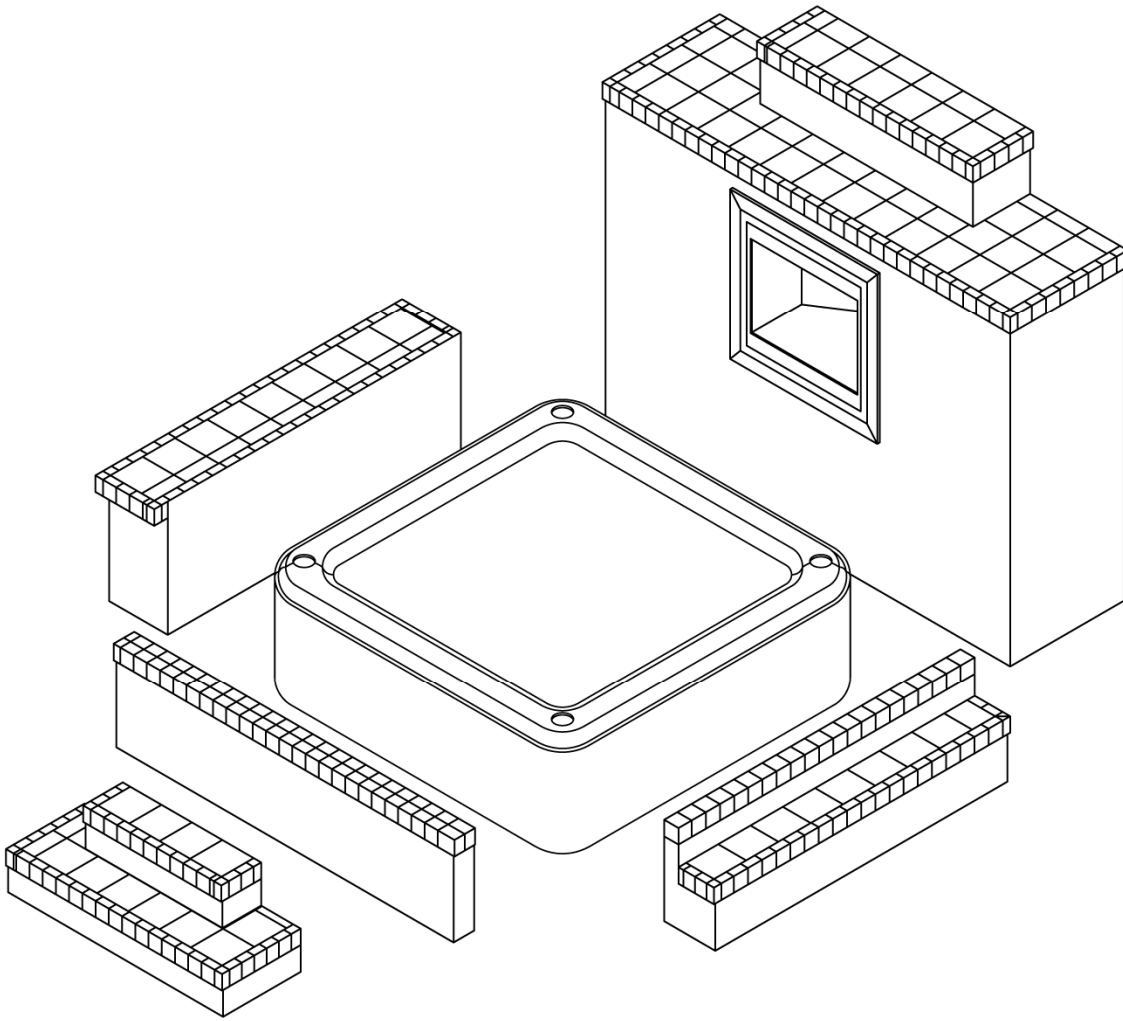


Figure 1. Exploded view of SW-100

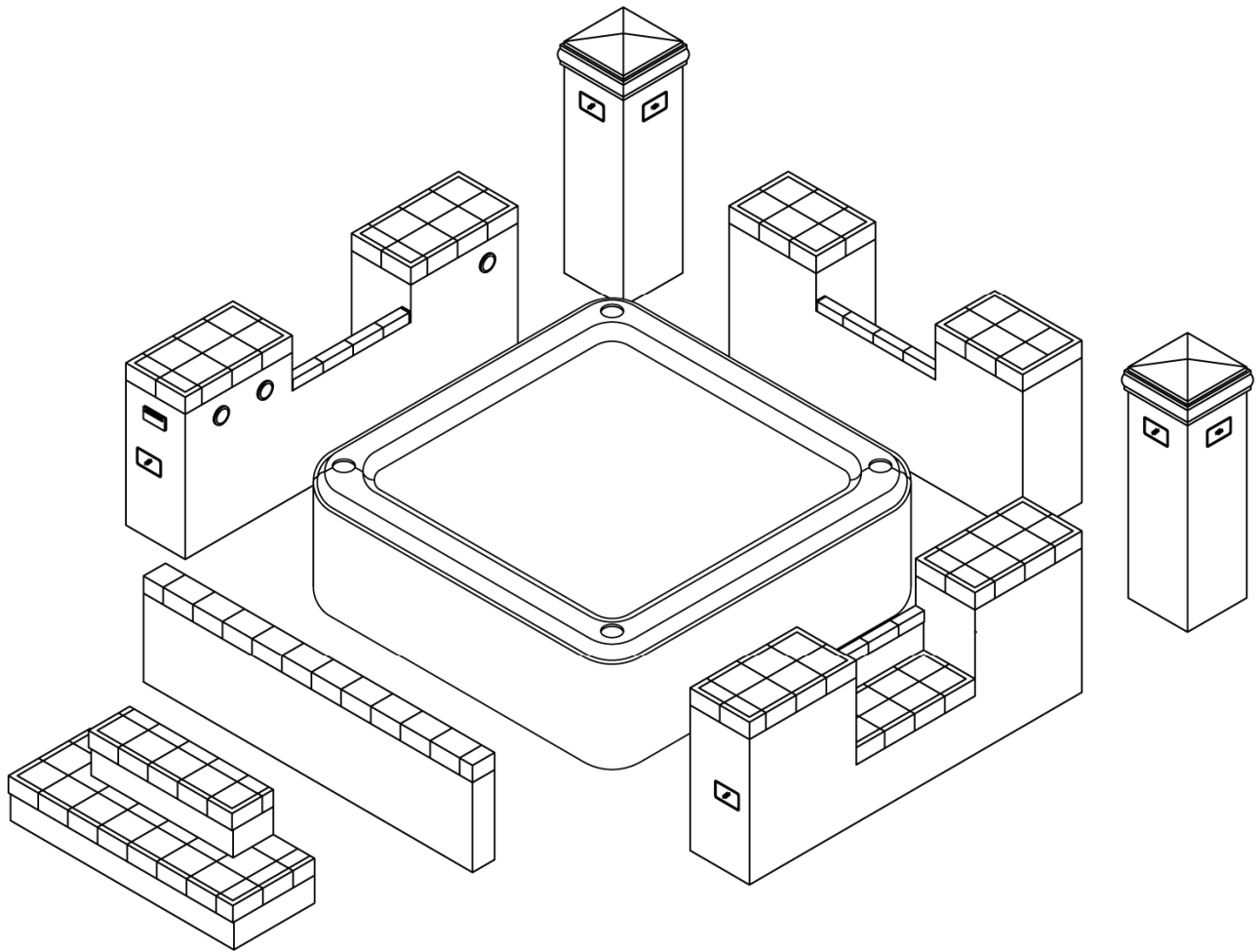


Figure 2. Exploded view of SW-400

Seam and Joint Finishing

After you have unpacked all of the pieces and have put them in place around your spa, you may wish to apply grout and stucco to the seams to give your spa wrap a more “finished” appearance.

Note: When access is needed inside your spa, the seams will need to be split. When work inside the spa is finished, the seams will need to be refinished, so plan accordingly.

1. Prepare and fill the gap or seam line with speed set.
2. Using your fingertips, push and flatten out the speed set into the seam line.



NOTE: Allow the speed set to dry before proceeding with the next step.

3. Using a small brush or hopper gun, apply stucco to the seam line.



4. Mix grout with water in a container.
5. Fill the tile seam line with grout using a small spatula or your finger.
6. Clean the grout with a damp rag.

Spa Wrap Assembly



7. Let the grout and stucco dry for at least three hours.

Planning for and Using Your Spa Wrap Fireplace (Model SW-100)

Safe and satisfactory operation of your new fireplace spa wrap depends upon its proper installation. Installation, adjustments and service must be performed by C.A.I. qualified installers and service technicians to ensure proper operation and prevent accidents.

LP Gas Requirements

Check the rating plate to make sure the gas supply you are hooking up to is the gas type the fireplace is manufactured for.

IMPORTANT WARNING: All Cal Flame s and fireplaces are manufactured with the highest regard to safety. For this reason, Cal Flame s and fireplaces are either manufactured to operate on liquid propane (LP) or natural gas (NG) and cannot be converted. To verify the fireplace's operating fuel, remove the bottom drip pan and check serial number label on the left. Either LP or NG will be marked on the operating tab, indicating the proper operating fuel. Attempting to convert a Cal Flame fireplace from one fuel to another may result in serious injury and void the warranty coverage.

If you do not have an updated filler valve on your existing propane tank, you will need to purchase one at your local hardware store, as you will not be allowed to refill the tank at any filling station.

LP Gas Hook Up

An enclosure for an LP gas cylinder shall be vented by openings at the level of the cylinder valve and at floor level. The effectiveness of the opening(s) for purposes of ventilation shall be determined with the LP-gas supply cylinder in place. This shall be accomplished in one of the following manners:

- One side of the enclosure shall be completely open.
- Enclosures that have four sides, complete with a top and bottom:
 - At least two ventilation openings at cylinder valve level shall be provided in the sidewall, equally sized, spaced at 180° (3.14 rad), and unobstructed. Each opening shall have a total free area of not less than 1 in^2 square inch per pound (7.1 cm^2/kg) of stored fuel capacity, and not less than a total free area of 10 square inches (64.5 cm^2).
 - Ventilation opening(s) shall be provided at floor level and shall have a total free area of not less than 1 in^2 square inch per pound (7.1 cm^2/kg) of stored fuel capacity and not less than a total free area of 10 square inches (64.5 cm^2). If ventilation openings at floor level are in a sidewall, there shall be at least two openings. The bottom of the openings shall be at floor level and the upper edge no more than 5 inches (127 mm) above the floor. The openings shall be equally sized, spaced at 180° (3.14 rad) and unobstructed.
 - Every opening shall have minimum dimensions so as to permit the entrance of a 1/8 inch (3.2 mm) diameter rod.

For plumbed-in LP installation, use a convertible regulator and set it for LP gas.

LP Gas Supply Pressure

Maximum line pressure for plumbed-in propane is 14" W.C psi (3.5 kPa). Minimum line pressure for propane is 11" W.C.

LP Gas Pressure Regulator

The unit must be used with the gas pressure regulator. The regulator will control and maintain a uniform gas pressure in the manifold. The burner orifices have been sized for the gas pressure delivered by the regulator.

LPG Cylinder Specification

Any LP gas supply cylinder used with this fireplace must be approximately 12 inches in diameter and 18 inches high. The maximum fuel capacity is 20 lbs. of propane, or 5 gallons. Full cylinder weight should be approximately 38 lbs. (43.7 lbs. nominal water capacity.) Always use the cylinder dust cap on the cylinder valve outlet during transport and when the cylinder is not connected to the fireplace.

Transporting the LP Gas Supply Cylinder

Only one cylinder should be transported at a time. Transport cylinder in an upright and secure manner with control valve turned off and the dust cap in place.

Natural Gas Requirements

Always check the rating plate to make sure the gas supply you are hooking up to is the gas type the fireplace is manufactured for.

IMPORTANT WARNING: All Cal Flame fireplaces are manufactured with the highest regard to safety. For this reason, Cal Flame s and fireplaces are either manufactured to operate on liquid propane (LP) or natural gas (NG) and cannot be converted. To verify the operating fuel, remove the bottom drip pan and check serial number label on the left. Either LP or NG will be marked on the operating tab, indicating the proper operating fuel.

Attempting to convert a Cal Flame fireplace from one fuel to another may result in serious injury and void the warranty coverage.

IMPORTANT: Never connect the fireplace to an unregulated gas supply.

The installation of this appliance must conform with local codes or, in the absence of local codes, to the national fuel gas code, ANSI Z223.1a-1998. Installation in Canada must be in accordance with the standard CAN/CGA-B149.2, Propane Installation Code. Natural gas connection must be performed by a licensed contractor or local gas company representative.

Ensure that the service supplying the fireplace is fitted with a conveniently positioned shut off valve with easy access.

Your Cal Flame fireplace for use with natural gas comes equipped with its own regulator which **MUST NOT** be removed. If this regulator needs to be replaced, use only the type specified by Cal Flame for this appliance.

1. Remove the rear panel to gain access to the regulator and gas connection point.
2. Connect a suitable flex connector to the regulator.

Testing for Leaks

Perform a leak test at least once each year whether the gas supply cylinder has been disconnected or not. In addition, anytime the gas cylinder is connected to the regulator or any part of the gas system is disconnected or replaced, conduct a leak test.

As a safety precaution, remember to always leak test your fireplace outdoors in a well-ventilated area. Never smoke or permit sources of ignition in the area while doing a leak test. Do not use a flame, such as a lighted match to test for leaks. Use only a leak testing solution as specified below.

1. Prepare a leak testing solution of sudsy water by mixing in a spray bottle half-liquid soap and half water.
2. Check and make sure all the control knobs are in the OFF position.
3. Turn cylinder valve knob counter clockwise one turn to open.
4. Apply leak-testing solution by spraying on joints of the gas delivery system.
5. Blowing bubbles in the soap solution indicates that a leak is present.
6. Stop a leak by tightening the loose joint or by replacing the faulty part with a replacement part recommended by the manufacturer. Do not attempt to repair the cylinder valve if it should become damaged. The cylinder must be replaced.
7. If you are unable to stop a leak, shut off the gas supply at the cylinder valve. Remove the cylinder from the fireplace. Call an authorized gas appliance service technician or LP gas dealer. Do not use the appliance until the leak is corrected.
8. Push in and turn any control knob to release pressure in the hose and manifold.
9. Turn off the control knob.

Lighting Your Gas Fireplace

Read the safety information above before attempting to light your fireplace.

This appliance must be lit by hand. When lighting, follow these instructions exactly. Before lighting, smell around the appliance area for gas. Be sure to smell next to the base of the appliance, because some gas is heavier than air and will settle on the ground.

1. Locate the manual gas control valve, located on the outside of the , two inches from the base of the . (Look for a bright red knob.)
2. Place a burning match on top of the burner in the middle where ports are present. **DO NOT HOLD THE MATCH IN YOUR HAND.** For natural gas appliances, turn on the ON/OFF valve slowly at the appliance. For LP appliances, turn the valve on the LP tank counterclockwise all the way and then turn “ON” the ON/OFF valve slowly at the appliance.
3. If the burner does not light before the match goes out, immediately turn the gas valve to “OFF”.
4. Wait at least five minutes to clear out any gas. Then smell for gas, including the base of the appliance. If you smell gas, STOP! Follow Safety Information above. If you don’t smell gas, repeat Step 2 above.

To Turn Off the Appliance

1. Turn the ON/OFF valve to the “OFF” position at the appliance for the natural gas appliance.
2. For an LP appliance, turn the ON/OFF valve to the “OFF” position at the appliance and then turn the valve on the LP tank clockwise to the “OFF” position.

What To Do If You Smell Gas

- Do not try to light the appliance.
- Do not touch any electric switch. Do not use any phone in the immediate area.
- Immediately call your gas supplier from a neighbor's phone. Follow the gas supplier's instructions.
- If you cannot reach your gas supplier, call the fire department.
- Use only your hand to turn the gas control knob. Never use tools. If the valve will not turn by hand, don't try to repair it -- call a qualified service technician. Force or attempted repair may result in a fire or explosion.
- Do not use this appliance if any part has been underwater. Immediately call a qualified service technician to inspect the appliance, and to replace any part which has been under water.

Safety Information

Always keep the appliance area clear and free from combustible materials, gasoline and any other flammable vapors and liquids.

The log set is sold separately from the fireplace. For installation and lighting instructions, refer to the manufacturer's owner's manual.

DO NOT USE SOLID FUEL IN YOUR FIREPLACE!

Inspect the burner before each use of the appliance. If there is any evidence that the burner is damaged, it must be replaced before operating. Upon completing the gas line connection, a small amount of air will be in the lines. When first lighting the burner, it will take a few minutes for the lines to purge themselves of this air. Subsequent lighting of the appliance will not require such purging.

CAUTION: Never allow the ON/OFF valve to remain in the open position without placing a burning match on top of the burner **FIRST!**

IF YOU DO NOT FOLLOW THESE INSTRUCTIONS EXACTLY, A FIRE OR EXPLOSION MAY RESULT, CAUSING PROPERTY DAMAGE, PERSONAL INJURY AND/OR LOSS OF LIFE.

General Safety Precautions

CAUTION: To prevent fire and smoke damage, remove all packaging material before operating your fireplace.

- Spiders and other insects can nest in the burners and block the gas and airflow to the burner ports. This creates a dangerous condition that can result in a fire from behind the valve panel. Inspect and clean the burners periodically and follow the guidelines in the maintenance section of this manual.
- In the event that a burner goes out and gas escapes, turn off the gas supply let it air-out. Do not attempt to use the fireplace until the gas has had time to dissipate.
- Unless specifically recommended in this manual, do not repair or replace any part of your fireplace. Have a qualified technician perform all of the service. Any repairs made by a non- C.A.I. approved dealer technician will void your warranty.
- Keep any electrical supply cord or power supply cord away from the heated areas of the fireplace.

Planning for and Using Your Spa Wrap Fireplace (Model SW-100)

- Never use the fireplace in windy conditions. If located in a consistently windy area (oceanfront, mountaintop, etc.) a windbreak will be required.
- The area surrounding your new fireplace should be kept clean, and free from flammable liquids and other combustible materials such as mops, rags, brooms, as well as solvents, cleaning fluids, and gasoline.
- Do not use the fireplace as a storage area for flammable or plastic items which may ignite. Do not store any materials inside or near fireplace. Do not store the liquid propane (LP) cylinder in the vicinity of this or any other appliance when it is not being used.
- Never line fireplace with aluminum foil.
- When the unit is not in use, be sure to turn off the gas at the LP tank.
- Never locate this appliance in an enclosed room, under a sealed overhead structure or any type, or in an enclosed area such as a garage, shed, or breezeway. Keep clear of trees and shrubs.
- Do not place your fireplace under or near windows or vents that can be opened into your home.

Precautions Regarding Children

- Never leave children unattended when the fireplace is being used.
- Do not store items of interest to children around or below the fireplace.
- Never allow children to sit or stand on any part of the fireplace.

Other Common Sense Precautions

- Never leave the fireplace unattended while using high flame settings.
- Never let clothing or other flammable materials come in contact with or close to any grate, rock or fire screen until it has cooled. Fabric may ignite and result in personal injury.
- When using the fireplace, do not touch the rock, fire screen, or immediate surroundings, as these areas become extremely hot and could cause burns.
- Proper apparel is a safety consideration. Never wear loose fitting or hanging garments while using your new fireplace.
- Do not heat any unopened glass or metal container of food on the fireplace. Pressure may build up and cause the container to burst resulting in serious harm or damage to the fireplace.
- Do not use charcoal in this fireplace.
- Do not block the vents located near the base of your fireplace as gas may build up in case of leak and cause serious damage.
- Do not reach over your fireplace or any other surfaces when hot or in use.

Most cities and counties require permits for exterior construction and electrical circuits. In addition, some communities have codes requiring residential barriers such as fencing and/or self-closing gates on property to prevent unsupervised access to the property by children under the age of 5. Your dealer can provide information on which permits may be required and how to obtain them prior to the delivery of your equipment.

Maintenance and Care

Maintaining Your Fireplace

Inspect the appliance before initial use. Clean the appliance at least annually and have it inspected by a qualified field service person.

Tampering with this appliance is DANGEROUS and voids all warranties. Replace any faulty components only with approved components.

For best operation, the burner flames should be steady, not lifting or floating.

Periodically remove the logs and examine the burner. If the burner is dirty, clean it with a soft wire brush. Also examine the area around the burner air shutter. Remove any dirt or debris in this area. This will ensure long life and trouble-free operation.

Periodically check the hose connecting the LP gas cylinder to ensure it is not damaged in any way.

Carbon (soot) may build up on the surfaces of the logs with heavy use. This is more likely to occur with LP gas. Clean soot off the surface of the logs periodically to prevent excessive buildup.

Cleaning

Your Spa Wrap was designed with low cleaning and maintenance in mind. We recommend that the Spa Wrap be cleaned at least twice a month (or more, if needed). When cleaning your Spa Wrap, do not use cleaning solvents -- using a sponge and water will be fine. For ground-in dirt and grime, refer to the following section.

Maintaining your Spa and Spa Wrap is an easy task. We recommend that every six months you inspect your Spa unit. Take note of any deformities in the material (i.e. cracking, peeling, dirt, grime, etc).

When cleaning your spa wrap, do not use cleaning solvents – using a sponge and water will be fine.

Appendix

Replacement Parts

SW-100

Part #	Description
SW04801641	BAR
SW04801642	BENCH
SW04801643	FRONT PANEL
SW04801644	STEP
SW04801645	FIREPLACE PANEL
WOOD127-CS	BAR STOOL

SW-200

Part #	Description
SW04801735	SIDE BAR
SW04801736	CORNER COLUMN
SW04801643	FRONT PANEL
SW04801644	STEP
OPTSW838	LED LIGHT OPTION
WOOD127-CS	BAR STOOL

SW-300

Part #	Description
SW04801737	BAR
SW04801738	PRIVACY PANEL
SW04801643	FRONT PANEL
SW04801644	STEP
SW04801739	PRIVACY PANEL TIER
WOOD127-CS	BAR STOOL

SW-400

Part #	Description
SW04801740	BENCH PANEL
SW04801741	BACK PANEL
SW04801742	FRONT PANEL
SW04801644	STEP
OPTSW838	LED LIGHT OPTION
OPTSW853	SPLASH STEREO SYSTEM
WOOD127-CS	BAR STOOL

Warranty Information

See your Cal Enclosures Spa Wrap dealer for a copy of the applicable warranty, details and any questions you may have regarding the warranty coverage on your Spa Wrap.

Warranty Limitations

The Limited Warranty is void if the Spa Wrap has been subject to negligence, alteration, misuse, abuse, repairs by non- C.A.I. authorized representatives, acts of God and any other cases beyond the control of C.A.I.

Examples of common acts invalidating this warranty include but are not limited to:

- Use of the Spa Wrap in a non-residential application
- Scratches caused by normal use
- Damage caused by extreme weather conditions (heat, cold, etc.)
- Damage caused by dirt, sand, and/or water damage
- Damage caused by direct sunlight
- -Damage caused as a result of failure to follow the assembly instructions as defined in this Owner's Manual

This Limited Warranty applies only to Spa Wraps normally used for personal, family, or household purposes.

This Limited Warranty is obsolete 90 days after the original purchase date.

Warranty

C.A.I. warrants the Spa Wrap from defects in material and workmanship for a period of 90 days from the original date of purchase.

DON'T FORGET TO REGISTER YOUR NEW PRODUCT AT WWW.CALSPAS.COM.

Customer Service

For customer service, contact the authorized selling dealer immediately. If you need additional information and assistance, please contact the C.A.I. Customer Relations Department at 1462 East Ninth Street, Pomona, CA 91766, or call 909-623-8781.

**Please make a record of the following.
It will be valuable if service is required.**

Cal Spa Model:

Cal Spa Serial Number:

Date Purchased:

Date Installed:

Cal Spa Dealer's Phone Number:

Cal Spa Dealer's Address:

C.A.I. Customer Service Department
1462 East Ninth Street
Pomona, CA 91766

Toll Free: 1-800-CAL-SPAS
Fax: 1-909-629-3890

www.calspas.com